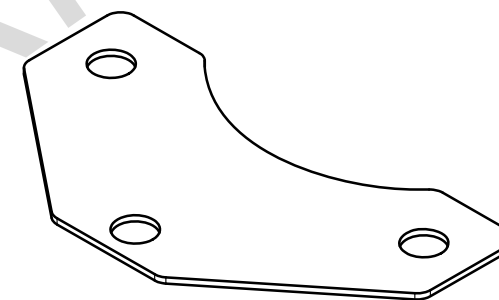
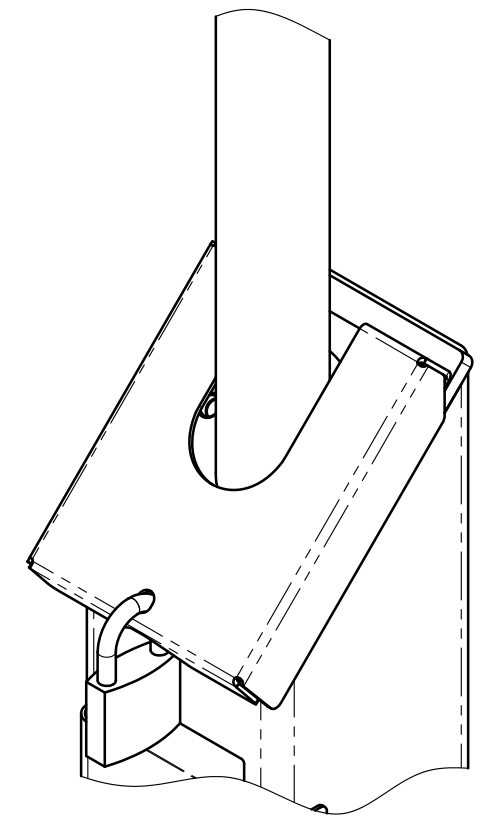


SECURITY COVER  
P/No: SC-PL2-HG <sup>1</sup>



LOCKING PLATE <sup>1</sup>  
P/No: SC-PL1-HG



**ISOMETRIC VIEW**  
**F12 INSTALL SHOWN - Typical**

**SCALE 1 : 4**

**OPTIONAL ITEM FOR FREESTANDING SWIVELPOLE™ USED IN HIGH THEFT RISK AREAS**



Scan Code with  
QR Reader app for more  
Swivelpole™  
Product Information

<sup>3</sup>

**PATENTED**  
PRODUCTS

[www.swivelpole.com](http://www.swivelpole.com)

**Swivelpole™**

This document is the property of and protected by copyright owned by Swivelpole Group Pty Ltd. The designs and other information embodied in this document comprise confidential information of Swivelpole Group Pty Ltd and form part of products covered by international patents and registered designs including US patent No 6957832. Unauthorised use, reproduction and disclosure are strictly prohibited. This document must not be removed from the premises of the licensed user of this document without Swivelpole Group Pty Ltd's prior approval.

ALL DIMENSIONS ARE IN MILLIMETERS	PROJECT	SERIES / CODE	PART NUMBER
	SWIVELPOLE	F	As Shown (RQ1320)
DRAWN BY	AD	DATE	14-02-10
CHECKED BY	FB	DATE	22-03-10
APPROVED BY	PP	DATE	31-03-10
TITLE	Swivelpole - Freestanding & Structure <sup>1</sup>		
TITLE	Security cover		
TITLE	General assembly		
THIRD ANGLE PROJECTION	SCALE	DRG No	REV
	1:2	C-AA-SC-001-HG	3

<sup>2</sup>

<sup>3</sup>

A3