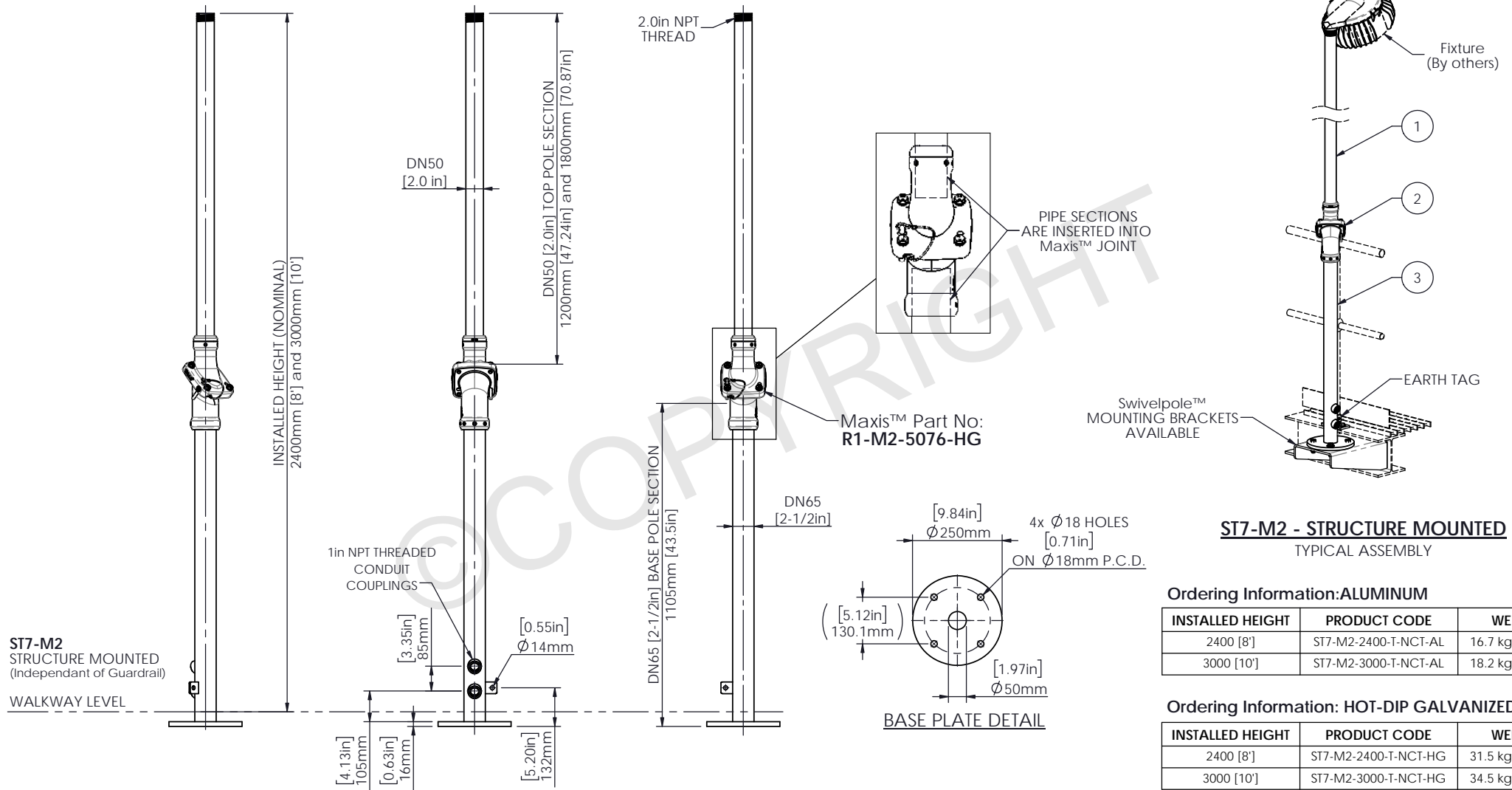


# STRUCTURALLY CERTIFIED

ITEM No.	QTY.	DESCRIPTION	MATERIAL OPTIONS
1	1	TOP POLE SECTION - THREADED	STEEL / HOT-DIP GALVANIZED ALUMINUM
2	1	Maxis™ M2 JOINT	STEEL / HOT-DIP GALVANIZED
3	1	BASE POLE SECTION - CONDUIT	STEEL / HOT-DIP GALVANIZED ALUMINUM



ST7-M2  
STRUCTURE MOUNTED  
(Independent of Guardrail)

WALKWAY LEVEL



Scan Code with  
QR Reader app for more  
Swivelpole™ Solutions

**maxis**<sup>®</sup>  
PATENTED  
PRODUCTS

[www.maxisjoint.com](http://www.maxisjoint.com)

**Swivelpole**<sup>™</sup>  
PATENTED  
PRODUCTS

[www.swivelpole.com](http://www.swivelpole.com)

**Swivelpole**<sup>™</sup>

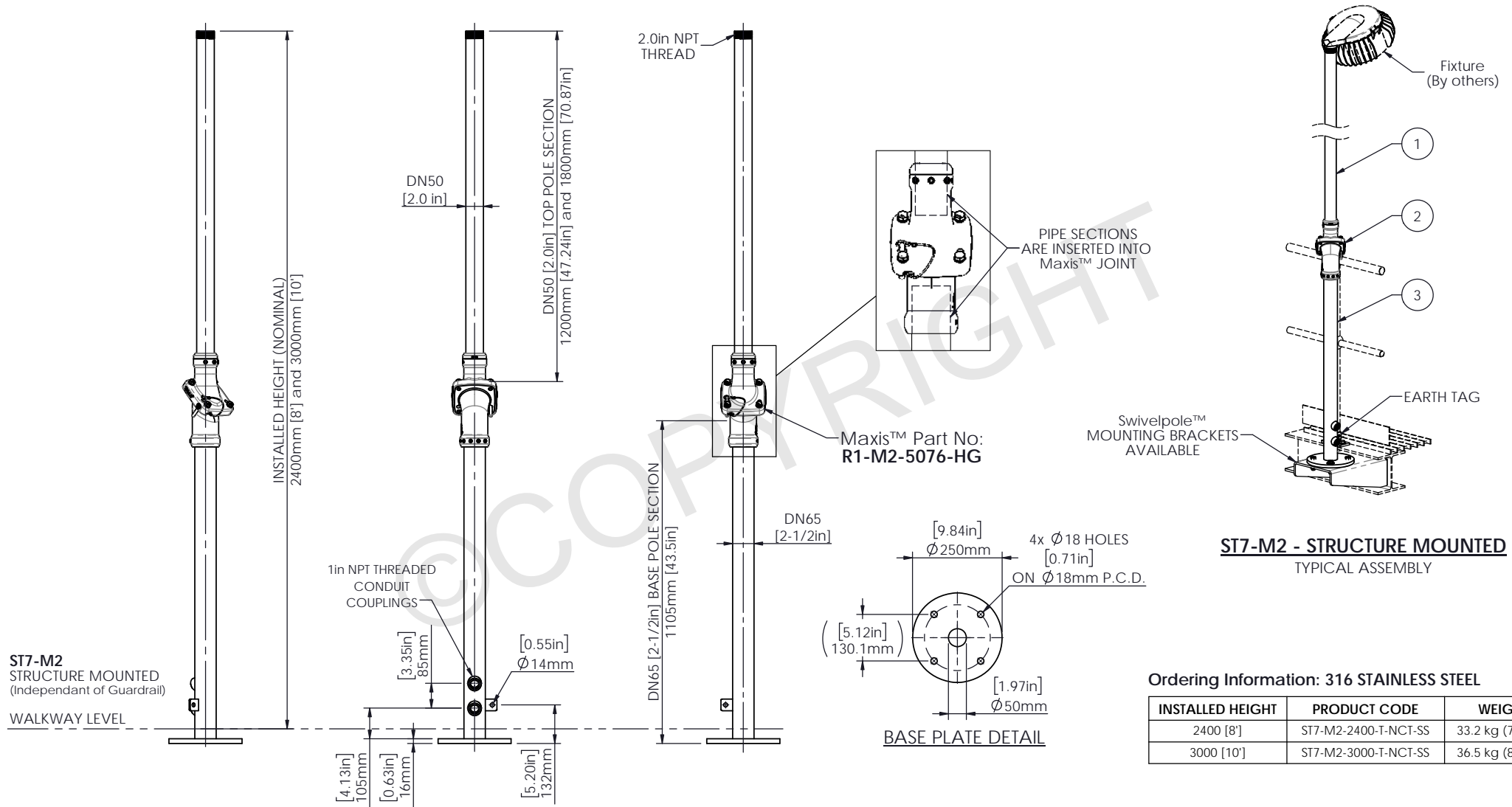
This document is the property of and protected by copyright owned by Swivelpole Group Pty Ltd and/or Exemplar Products Pty Ltd. The designs and other information embodied in this document comprise confidential information of Swivelpole Group Pty Ltd and/or Exemplar Products Pty Ltd and form part of products covered by international patents and registered designs including US patent No 6957832 and US patent No 9945143. Unauthorised use, reproduction and disclosure are strictly prohibited. This document must not be removed from the premises of the licensed user of this document without Swivelpole Group Pty Ltd's and/or Exemplar Products Pty Ltd's prior approval.

ALL DIMENSIONS ARE IN MILLIMETERS / INCHES		SERIES / CODE	PART NUMBER
		ST	As Noted
DRAWN BY	KM	DATE	28/02/23
CHECKED BY	AI	DATE	28/02/23
APPROVED BY	RP	DATE	28/02/23
THIRD ANGLE PROJECTION	SCALE	N.T.S.	DRG No
			C-NEC-ST7-M2-6550-T-NCT-(HG-AL)
			REV 0
			A3

NEC

# STRUCTURALLY CERTIFIED

ITEM No.	QTY.	DESCRIPTION	MATERIAL OPTIONS
1	1	TOP POLE SECTION - THREADED	316 STAINLESS STEEL
2	1	Maxis™ M2 JOINT	316 STAINLESS STEEL
3	1	BASE POLE SECTION - CONDUIT	316 STAINLESS STEEL



**ST7-M2**  
STRUCTURE MOUNTED  
(Independent of Guardrail)

WALKWAY LEVEL

NEC



Scan Code with  
QR Reader app for more  
Swivelpole™ Solutions

**maxis**  
PATENTED  
PRODUCTS

[www.maxisjoint.com](http://www.maxisjoint.com)

**Swivelpole**  
PATENTED  
PRODUCTS

[www.swivelpole.com](http://www.swivelpole.com)

**Swivelpole**

This document is the property of and protected by copyright owned by Swivelpole Group Pty Ltd and/or Exemplar Products Pty Ltd. The designs and other information embodied in this document comprise confidential information of Swivelpole Group Pty Ltd and/or Exemplar Products Pty Ltd and form part of products covered by international patents and registered designs including US patent No 6957832 and US patent No 9945143. Unauthorised use, reproduction and disclosure are strictly prohibited. This document must not be removed from the premises of the licensed user of this document without Swivelpole Group Pty Ltd's and/or Exemplar Products Pty Ltd's prior approval.

ALL DIMENSIONS ARE IN MILLIMETERS / INCHES		SERIES / CODE	PART NUMBER
		ST	As Noted
DRAWN BY	KM	DATE	02/03/23
CHECKED BY	AO	DATE	02/03/23
APPROVED BY	AI	DATE	02/03/23
THIRD ANGLE PROJECTION		SCALE	N.T.S.
TITLE			Swivelpole™ ST7 - Maxis™ M2 Base Section - CONDUITS - Top Section - THREADED General Assembly
DRG No			C-NEC-ST7-M2-6550-T-NCT-SS
REV			0
A3			