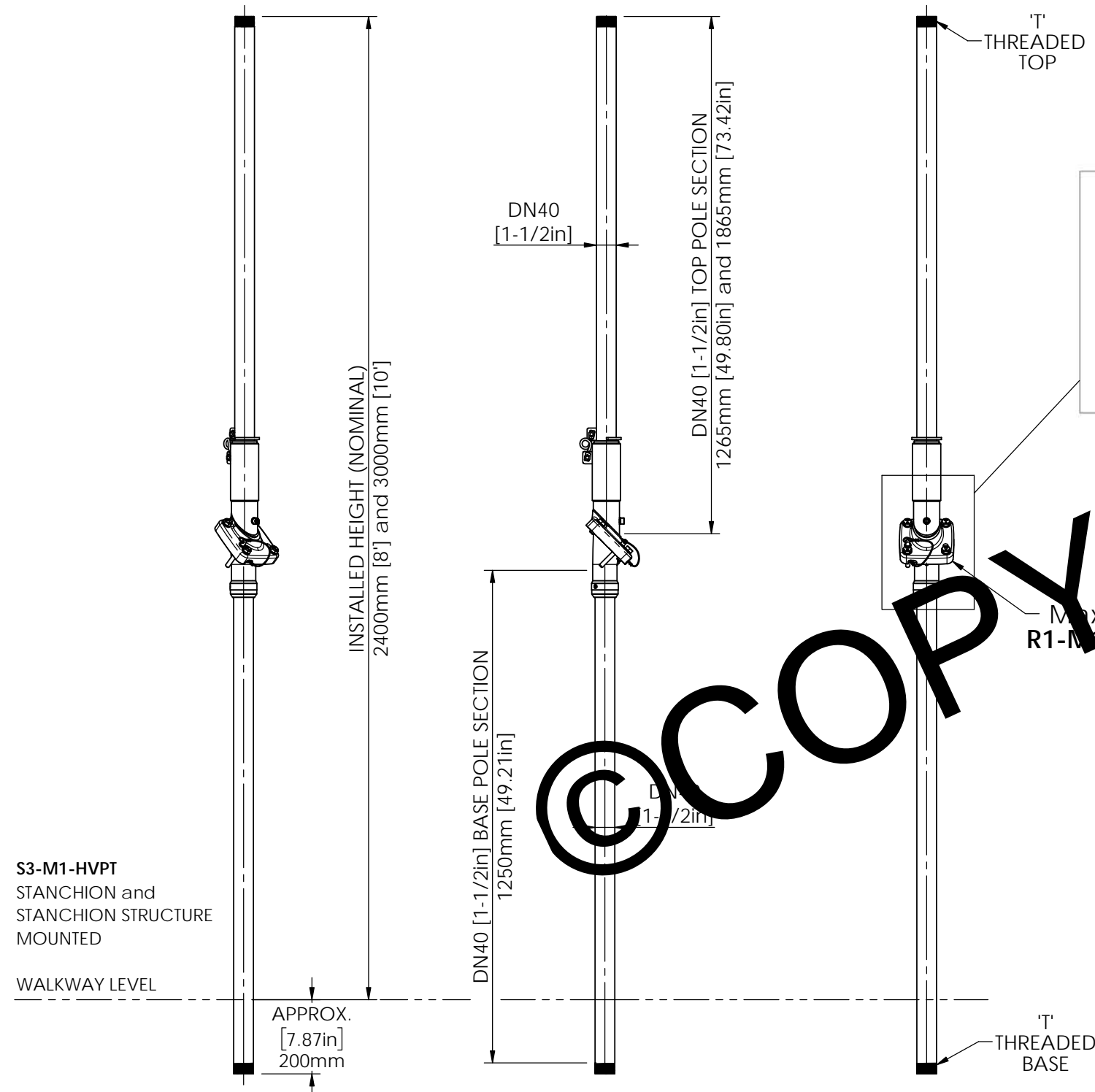


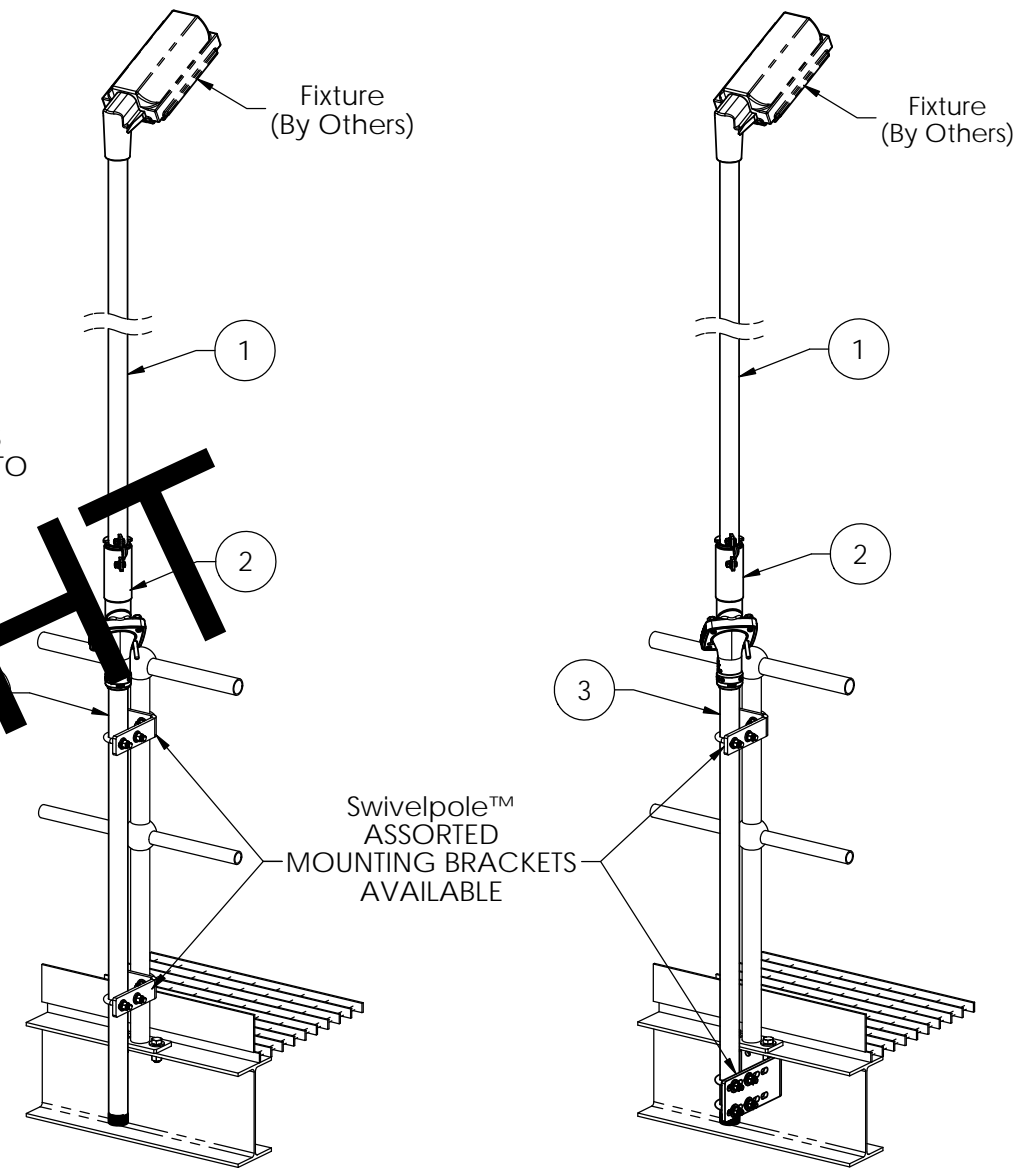
# STRUCTURALLY CERTIFIED

ITEM No.	QTY.	DESCRIPTION	MATERIAL OPTIONS
1	1	HIGH VIBRATION POLE TOP - THREADED	STEEL / HOT-DIP GALVANIZED
2	1	Maxis™ M1 HVPT JOINT	STEEL / HOT-DIP GALVANIZED
3	1	BASE POLE SECTION - THREADED	STEEL / HOT-DIP GALVANIZED



S3-M1-HVPT STANCHION and STANCHION STRUCTURE MOUNTED

WALKWAY LEVEL



## HVPT - HIGH VIBRATION POLE TOP

**S3-M1-HVPT STANCHION MOUNTED ASSEMBLY VIEW**

**S3-M1-HVPT STANCHION/STRUCTURE MOUNTED ASSEMBLY VIEW**

### Ordering Information: HOT-DIP GALVANIZED

INSTALLED HEIGHT	PRODUCT CODE	WEIGHT
2400mm [8']	S3-M1-HVPT-2400-T-HG	14.2 kg (31.3 lb)
3000mm [10']	S3-M1-HVPT-3000-T-HG	16.3 kg (35.9 lb)



Scan Code with QR Reader app for more Maxis™ Product Solutions

**maxis**  
PATENTED PRODUCTS

[www.maxisjoint.com](http://www.maxisjoint.com)

**PATENTED PRODUCTS**

[www.swivelpole.com](http://www.swivelpole.com)

**Swivelpole**

This document is the property of and protected by copyright owned by Swivelpole Group Pty Ltd and or Exemplar Products Pty Ltd. The designs and other information embodied in this document comprise confidential information of Swivelpole Group Pty Ltd and or Exemplar Products Pty Ltd and form part of products covered by international patents and registered designs including US patent No 6957832 and US patent No 9945143. Unauthorised use, reproduction and disclosure are strictly prohibited. This document must not be removed from the premises of the licensed user of this document without Swivelpole Group Pty Ltd's and or Exemplar Products Pty Ltd's prior approval.

ALL DIMENSIONS ARE IN MILLIMETERS / INCHES	SERIES / CODE	PART NUMBER
	S-HVPT	As Noted (RQ1900 - 04/07/23)
DRAWN BY: BP	DATE: 16/02/22	TITLE: Swivelpole™ S3 - Maxis™ M1
CHECKED BY: KM	DATE: 17/02/22	Base Section - THREADED - HVPT Top Section - THREADED
APPROVED BY: AI	DATE: 18/02/22	General Assembly
THIRD ANGLE PROJECTION	SCALE: N.T.S.	DRG No: C-NEC-S3-M1-HVPT-4040-T-HG

REV 2 A3

NEC