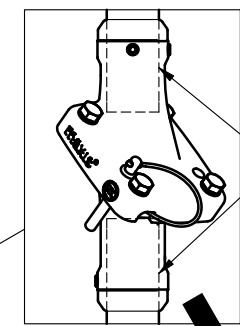
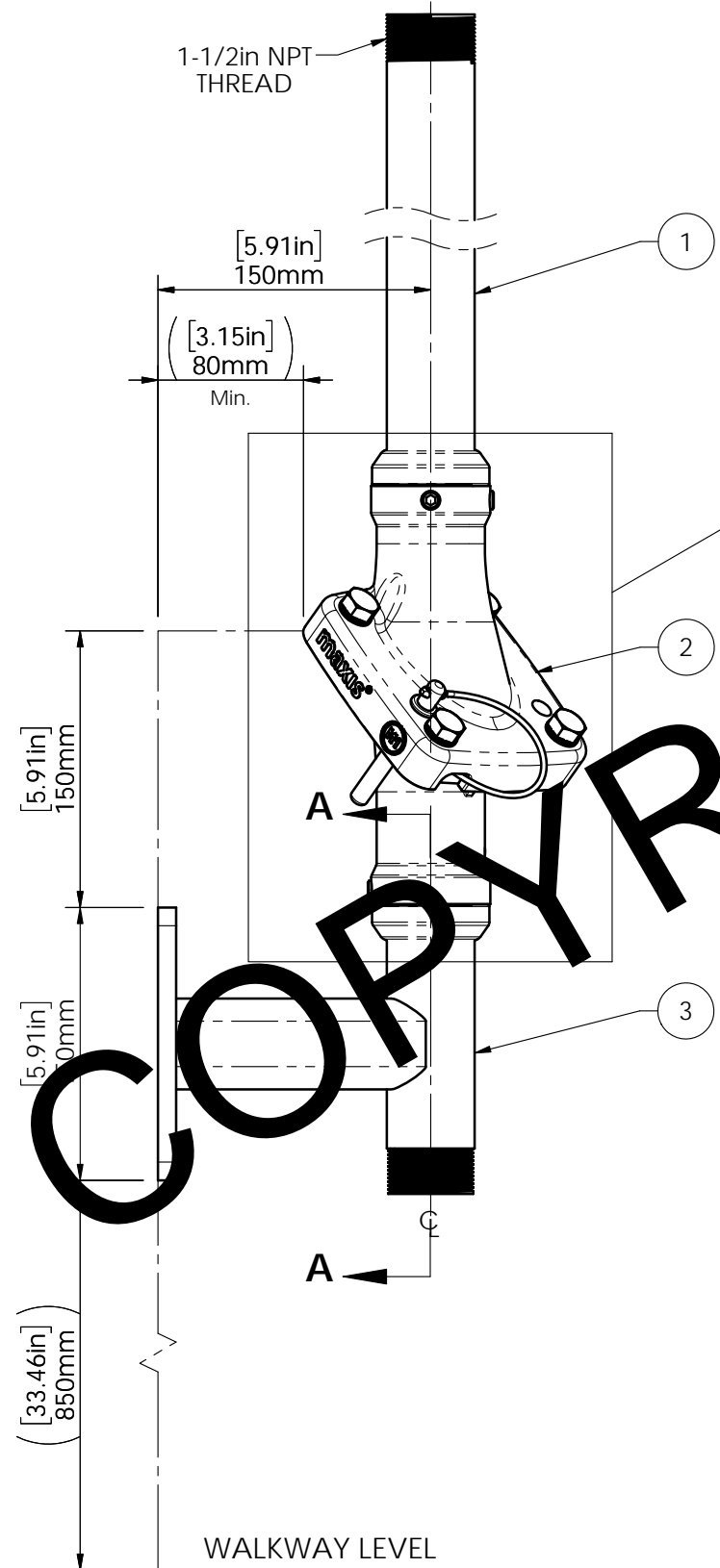
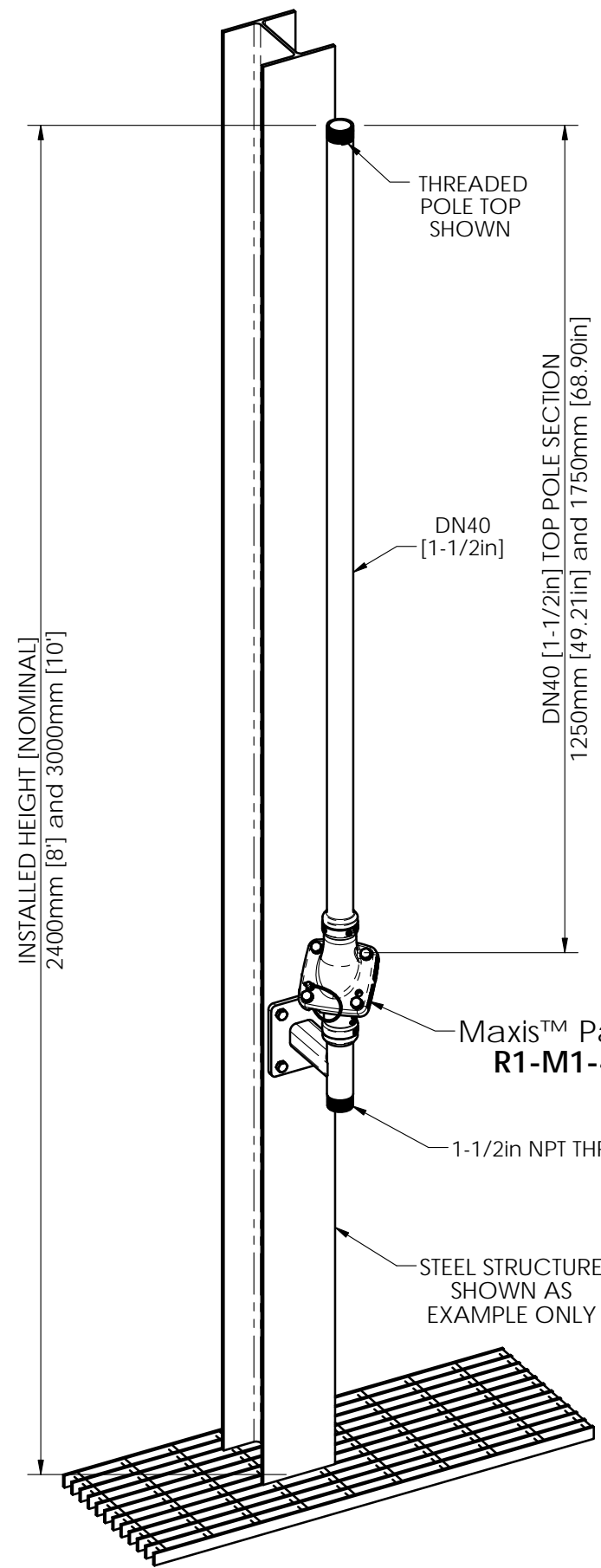
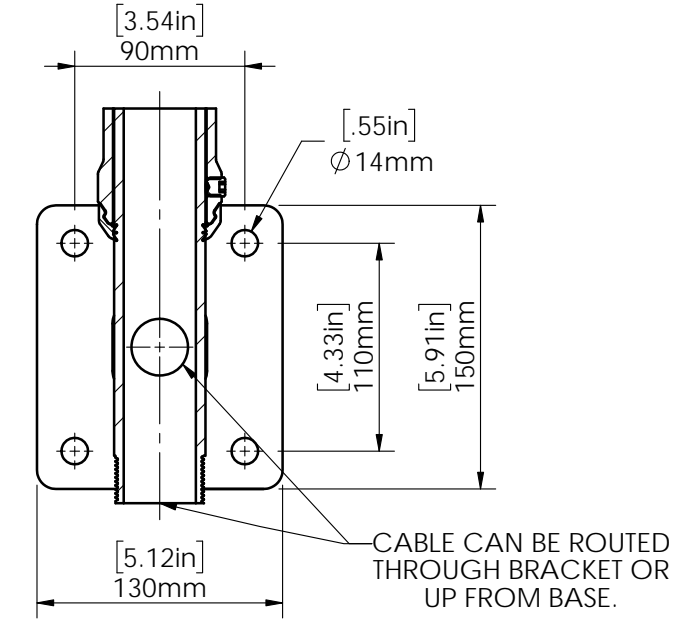


STRUCTURALLY CERTIFIED

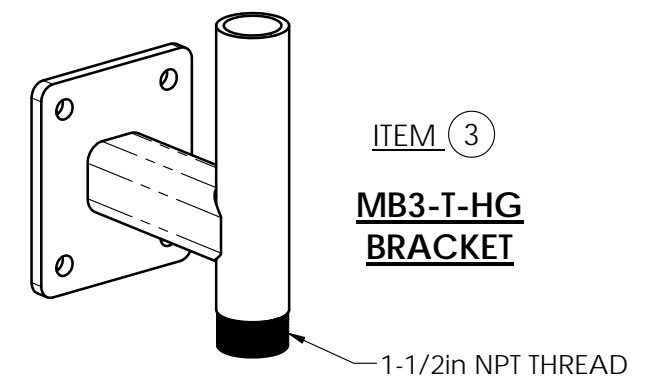
ITEM No.	QTY	DESCRIPTION	MATERIAL OPTIONS
1	1	TOP POLE SECTION - THREADED	STEEL / HOT-DIP GALVANIZED ALUMINUM
2	1	Maxis™ M1 JOINT	STEEL / ZINC ALUMINUM COATING
3	1	Swivelpole™ MB3-T MOUNTING BRACKET	STEEL / HOT-DIP GALVANIZED



PIPE SECTIONS ARE INSERTED INTO Maxis™ JOINT



SECTION A-A



Ordering Information: ALUMINUM

INSTALLED HEIGHT	PRODUCT CODE	WEIGHT
2400mm [8']	C1-M1-2400-T-HG-AL	10.0 kg (22.0 lb)
3000mm [10']	C1-M1-3000-T-HG-AL	11.0 kg (24.2 lb)

Ordering Information: HOT-DIP GALVANIZED

INSTALLED HEIGHT	PRODUCT CODE	WEIGHT
2400mm [8']	C1-M1-2400-T-HG	12.7 kg (27.9 lb)
3000mm [10']	C1-M1-3000-T-HG	14.7 kg (32.3 lb)

ZINC ALUMINUM IS SUITABLE WITH HOT-DIP GALVANIZED AND/OR ALUMINUM

C1-M1 - COLUMN / WALL MOUNTED
TYPICAL ASSEMBLY

NEC



Scan Code with QR Reader app for more Swivelpole™ Solutions

maxis
PATENTED PRODUCTS

www.maxisjoint.com

PATENTED PRODUCTS

www.swivelpole.com

Swivelpole™

This document is the property of and protected by copyright owned by Swivelpole Group Pty Ltd and or Exemplar Products Pty Ltd. The designs and other information embodied in this document comprise confidential information of Swivelpole Group Pty Ltd and or Exemplar Products Pty Ltd and form part of products covered by international patents and registered designs including US patent No 6957832 and US patent No 9945143. Unauthorised use, reproduction and disclosure are strictly prohibited. This document must not be removed from the premises of the licensed user of this document without Swivelpole Group Pty Ltd's and or Exemplar Products Pty Ltd's prior approval.

ALL DIMENSIONS ARE IN MILLIMETERS / INCHES	SERIES / CODE C	PART NUMBER As Noted	REV 1
DRAWN BY KM	DATE 20/02/19	TITLE Swivelpole™ C1 - Maxis™ M1 MB3 Bracket, Top Section - THREADED General Assembly	DRG No C-NEC-C1-M1-4040-001-(HG-AL)
CHECKED BY BP	DATE 21/02/19		
APPROVED BY RP	DATE 21/02/19		
THIRD ANGLE PROJECTION	SCALE N.T.S.		