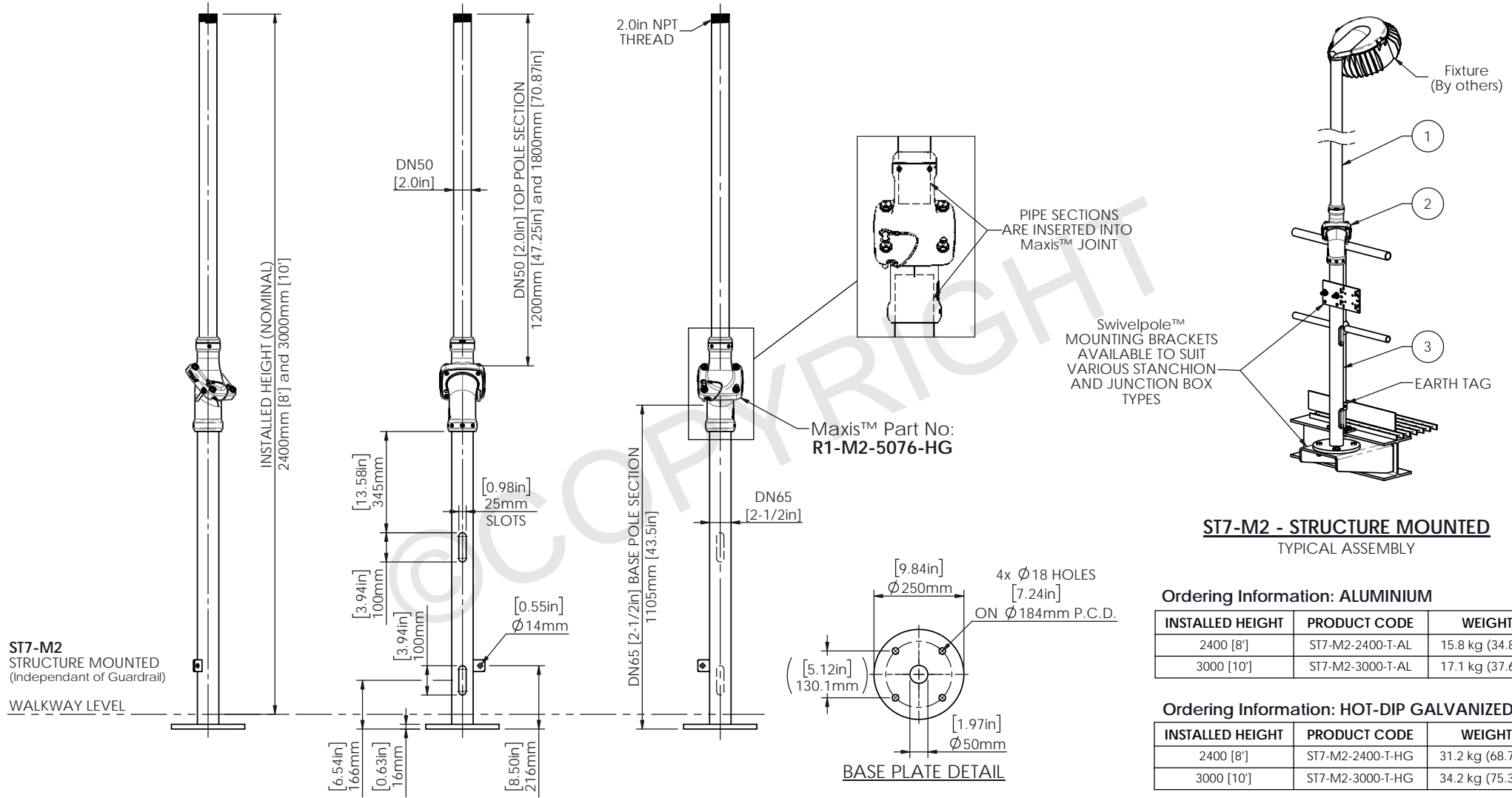


STRUCTURALLY CERTIFIED

ITEM No.	QTY.	DESCRIPTION	MATERIAL OPTIONS
1	1	TOP POLE SECTION - PLAIN	STEEL / HOT-DIP GALVANIZED ALUMINIUM
2	1	Maxis™ M2 JOINT	STEEL / HOT-DIP GALVANIZED
3	1	BASE POLE SECTION - SLOTTED - SUPPLIED WITH CABLE SLOT GROMMETS	STEEL / HOT-DIP GALVANIZED ALUMINIUM



IEC



Scan Code with QR Reader app for more Swivelpole™ Solutions

maxis
PATENTED PRODUCTS

www.maxisjoint.com

PATENTED PRODUCTS

www.swivelpole.com

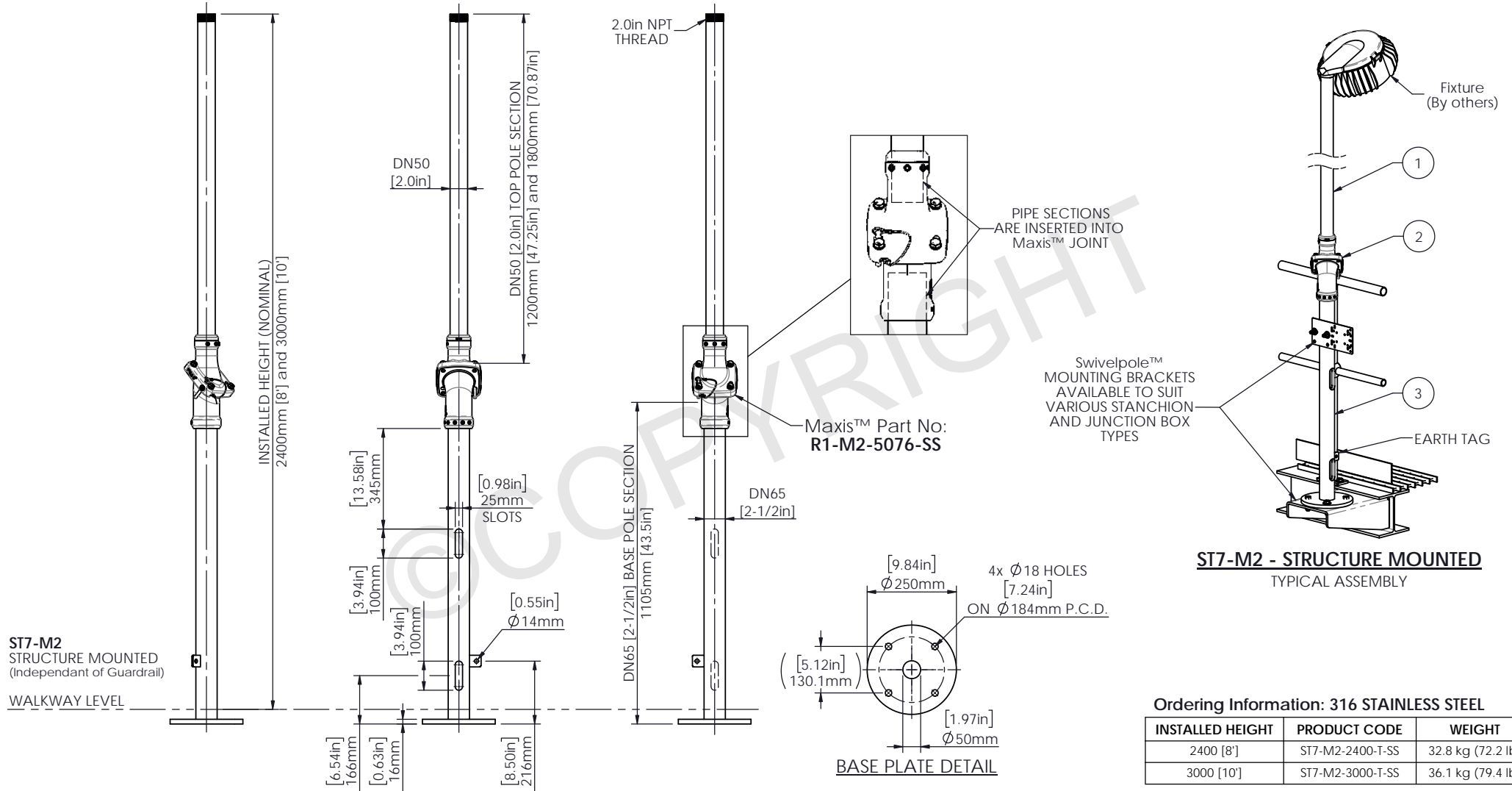
Swivelpole

This document is the property of and protected by copyright owned by Swivelpole Group Pty Ltd and or Exemplar Products Pty Ltd. The designs and other information embodied in this document comprise confidential information of Swivelpole Group Pty Ltd and or Exemplar Products Pty Ltd and form part of products covered by international patents and registered designs including US patent No 6957832 and US patent No 9945143. Unauthorised use, reproduction and disclosure are strictly prohibited. This document must not be removed from the premises of the licensed user of this document without Swivelpole Group Pty Ltd's and or Exemplar Products Pty Ltd's prior approval.

ALL DIMENSIONS ARE IN MILLIMETERS / INCHES		SERIES / CODE	PART NUMBER
		ST	As Noted
DRAWN BY	KM	DATE	02/03/23
CHECKED BY	AO	DATE	02/03/23
APPROVED BY	AI	DATE	02/03/23
THIRD ANGLE PROJECTION	SCALE	N.T.S.	DRG No
			C-IEC-ST7-M2-6550-T-(HG-AL)
			REV 0
			A3

STRUCTURALLY CERTIFIED

ITEM No.	QTY.	DESCRIPTION	MATERIAL OPTIONS
1	1	TOP POLE SECTION - PLAIN	316 STAINLESS STEEL
2	1	Maxis™ M2 JOINT	316 STAINLESS STEEL
3	1	BASE POLE SECTION - SLOTTED - SUPPLIED WITH CABLE SLOT GROMMETS	316 STAINLESS STEEL



Ordering Information: 316 STAINLESS STEEL

INSTALLED HEIGHT	PRODUCT CODE	WEIGHT
2400 [8']	ST7-M2-2400-T-SS	32.8 kg (72.2 lb)
3000 [10']	ST7-M2-3000-T-SS	36.1 kg (79.4 lb)



Scan Code with QR Reader app for more Swivelpole™ Solutions

maxis
PATENTED PRODUCTS

www.maxisjoint.com

Swivelpole
PATENTED PRODUCTS

www.swivelpole.com

Swivelpole

This document is the property of and protected by copyright owned by Swivelpole Group Pty Ltd and or Exemplar Products Pty Ltd. The designs and other information embodied in this document comprise confidential information of Swivelpole Group Pty Ltd and or Exemplar Products Pty Ltd and form part of products covered by international patents and registered designs including US patent No 6957832 and US patent No 9945143. Unauthorised use, reproduction and disclosure are strictly prohibited. This document must not be removed from the premises of the licensed user of this document without Swivelpole Group Pty Ltd's and or Exemplar Products Pty Ltd's prior approval.

ALL DIMENSIONS ARE IN MILLIMETERS / INCHES		SERIES / CODE	PART NUMBER
		ST	As Noted
DRAWN BY	KM	DATE	02/03/23
CHECKED BY	AO	DATE	02/03/23
APPROVED BY	AI	DATE	02/03/23
THIRD ANGLE PROJECTION	⊕ ⊖	SCALE	N.T.S.
TITLE			DRG No
Swivelpole™ ST7 - Maxis™ M2 Base Section - SLOTTED - Top Section - THREADED General Assembly			C-IEC-ST7-M2-6550-T-SS
REV			0
A3			

IEC