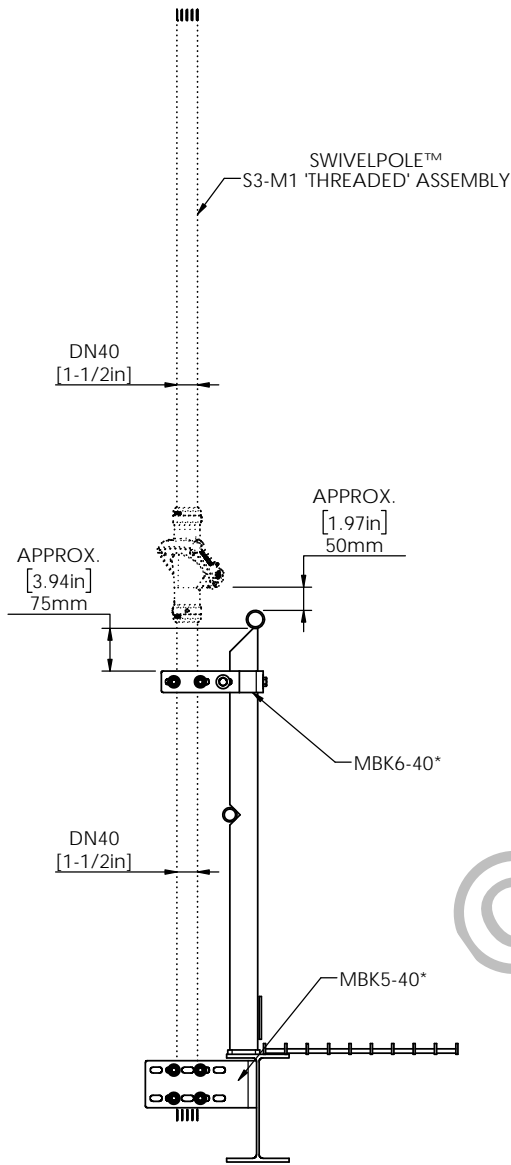


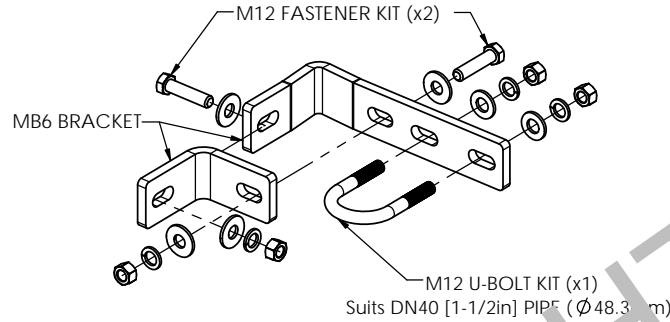
# STRUCTURALLY CERTIFIED



**MBK6-5-40\***  
TYPICAL ASSEMBLY

## MBK6-40\* BRACKET

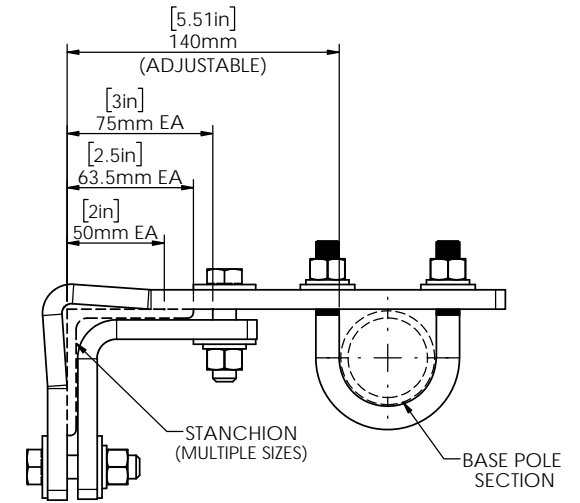
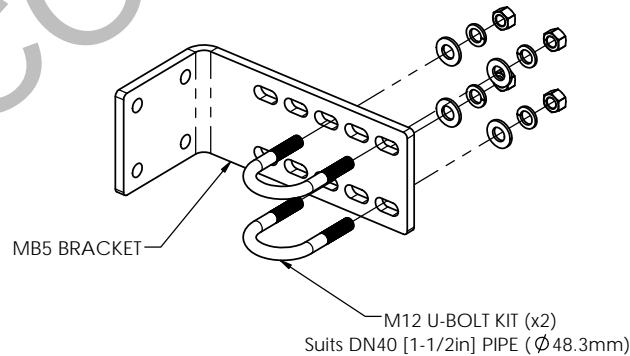
WEIGHT (INCLUDES BRACKET AND FASTENERS) = 2.2 kg [4.8 lb]



**\*NOTE:**  
FINISH: SUPPLIED HOT-DIP GALVANIZED  
AND / OR ZINC ALUMINUM  
BOTH FINISHES ARE SUITABLE WITH  
ALUMINUM AND HOT-DIP GALVANIZED PIPE

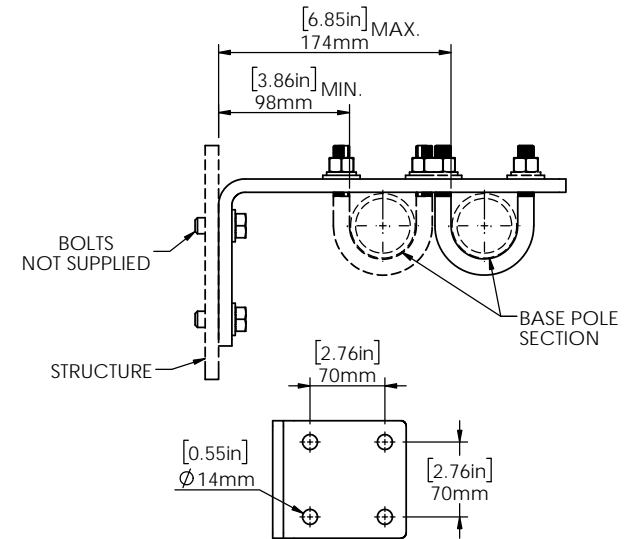
## MBK5-40\* BRACKET

WEIGHT (INCLUDES BRACKET AND FASTENERS) = 3.4 kg [7.37 lb]



### MBK6 DIMENSIONS

TO SUIT 2in [50mm], 2-1/2in [65mm] AND 3in [75mm] EQUAL ANGLE STANCHION WITH FLANGE THICKNESS FROM 3/16in [5mm] TO 3/8in [10mm]



### MBK5 DIMENSIONS (BOLTED TO STRUCTURE)



Scan Code with  
QR Reader app for more  
Swivelpole™ Solutions

**maxis**  
PATENTED  
PRODUCTS

[www.maxisjoint.com](http://www.maxisjoint.com)

**PATENTED**  
PRODUCTS

[www.swivelpole.com](http://www.swivelpole.com)

**swivelpole**

This document is the property of and protected by copyright owned by Swivelpole Group Pty Ltd and/or Exemplar Products Pty Ltd. The designs and other information embodied in this document comprise confidential information of Swivelpole Group Pty Ltd and/or Exemplar Products Pty Ltd and form part of products covered by international patents and registered designs including US patent No 6957832 and US patent No 9945143. Unauthorised use, reproduction and disclosure are strictly prohibited. This document must not be removed from the premises of the licensee user of this document without Swivelpole Group Pty Ltd's and/or Exemplar Products Pty Ltd's prior approval.

ALL DIMENSIONS ARE IN MILLIMETERS / INCHES	SERIES / CODE	PART NUMBER
	MBK	MBK6-5-40*
DRAWN BY: KM	DATE: 12/3/20	TITLE: Swivelpole™ Mounting Bracket Kit Typical Installation with Swivelpole™ S3-M1 Client - Bracket Detail
CHECKED BY: RP	DATE: 12/3/20	
APPROVED BY: RP	DATE: 12/3/20	
THIRD ANGLE PROJECTION	SCALE: N.T.S.	DRG No: C-NEC-MBK6-5-40
		REV: 0
		A3

NEC