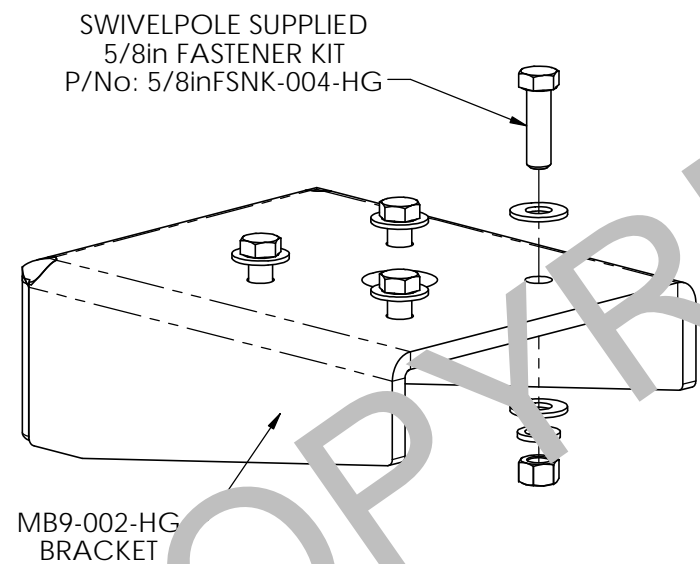


**MBK9-002-HG**  
TYPICAL INSTALLATION.

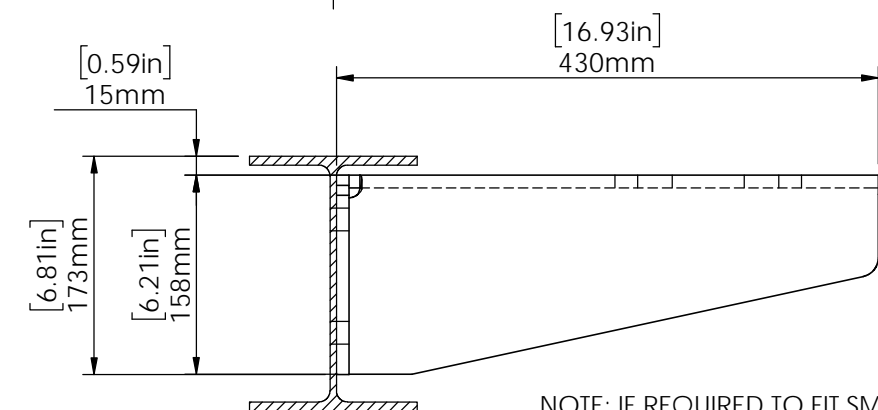
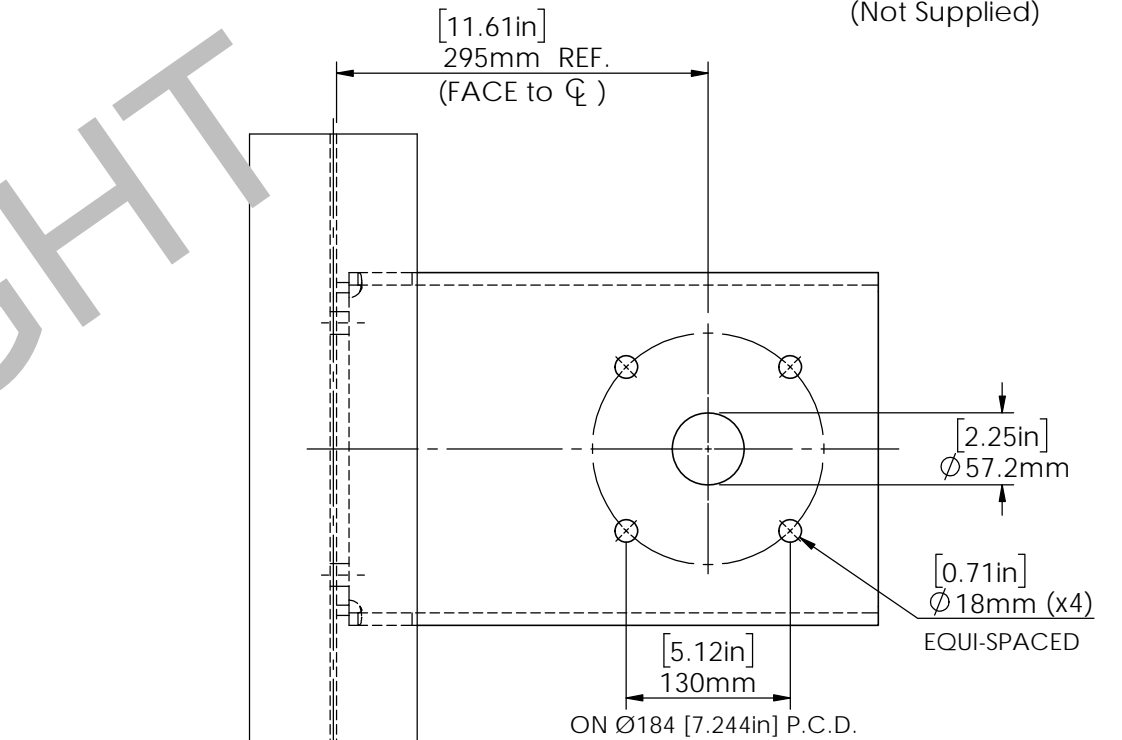
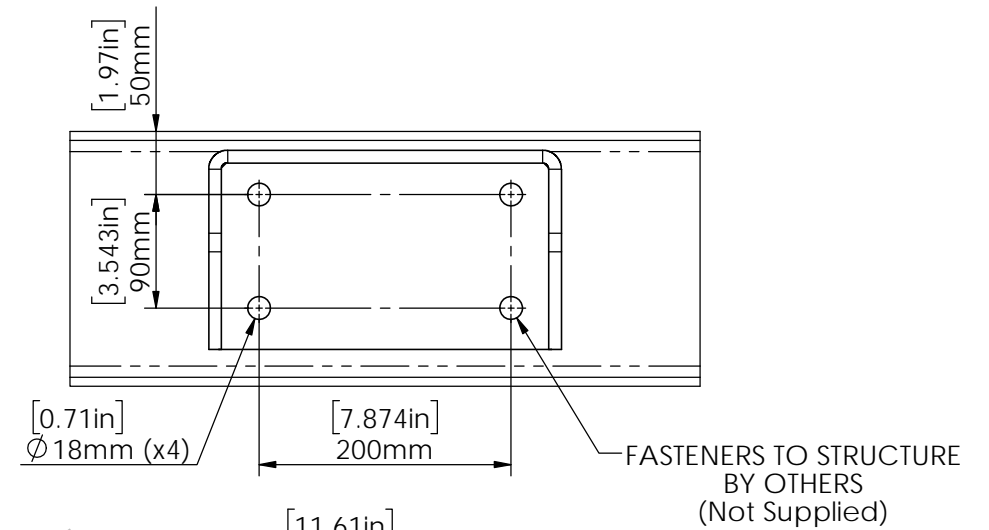


ISO VIEW

**PART NUMBER = MBK9-002-HG**

MATERIAL = Steel HDG Finish

WEIGHT = 19 kg [42 lb]



NOTE: IF REQUIRED TO FIT SMALLER BEAM SECTION, CONTACT SWIVELPOLE FOR ALTERNATIVE MB9 OPTIONS.



Scan Code with QR Reader app for more Swivelpole™ Bracket Solutions

**PATENTED**  
PRODUCTS

[www.swivelpole.com](http://www.swivelpole.com)

**Swivelpole™**

This document is the property of and protected by copyright owned by Swivelpole Group Pty Ltd. The designs and other information embodied in this document comprise confidential information of Swivelpole Group Pty Ltd and form part of products covered by international patents and registered designs including US patent No 6957832. Unauthorised use, reproduction and disclosure are strictly prohibited. This document must not be removed from the premises of the licensed user of this document without Swivelpole Group Pty Ltd's prior approval.

ALL DIMENSIONS ARE IN MILLIMETERS / INCHES	PROJECT	SERIES / CODE	PART NUMBER
	SWIVELPOLE	MB	MBK9-002-HG
DRAWN BY	BP	DATE	21/04/17
CHECKED BY	KM	DATE	21/04/17
APPROVED BY	AI	DATE	21/04/17
THIRD ANGLE PROJECTION	SCALE	DRG No	REV
	1:5	C-NA-MBK9-002-HG	0 A3