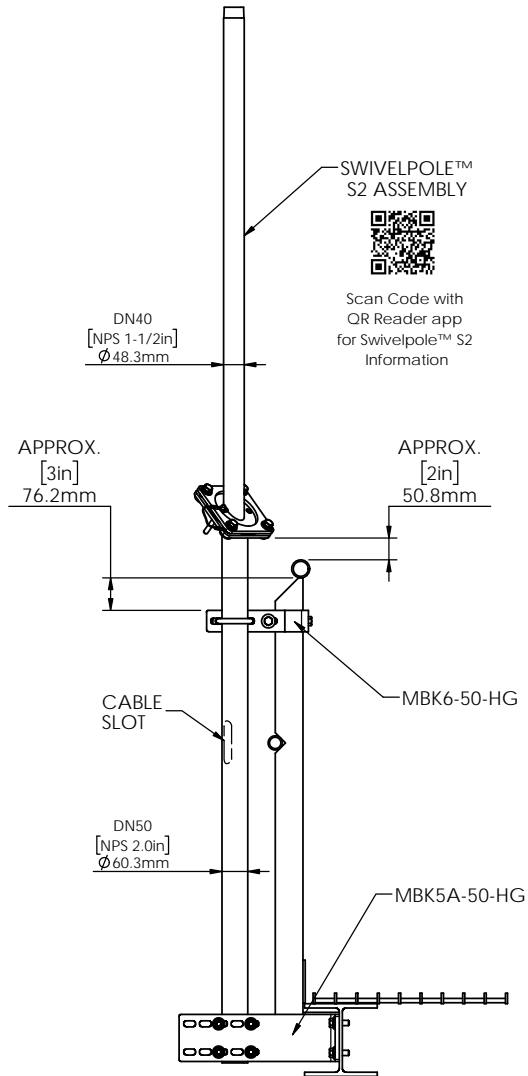
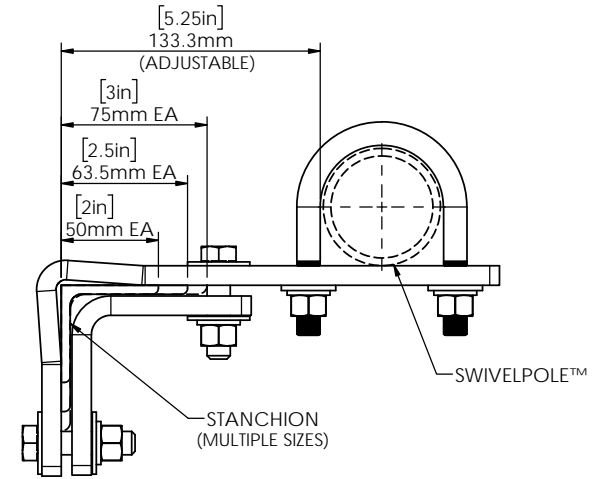
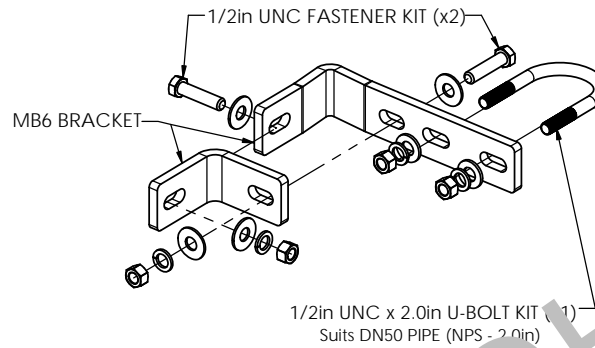


ASSEMBLY	WEIGHT
[8"] S2-2400 cw MBK6-5A-50	21.5 kg [47.3 lb]
[10"] S2-3000 cw MBK6-5A-50	23.9 kg [52.6 lb]



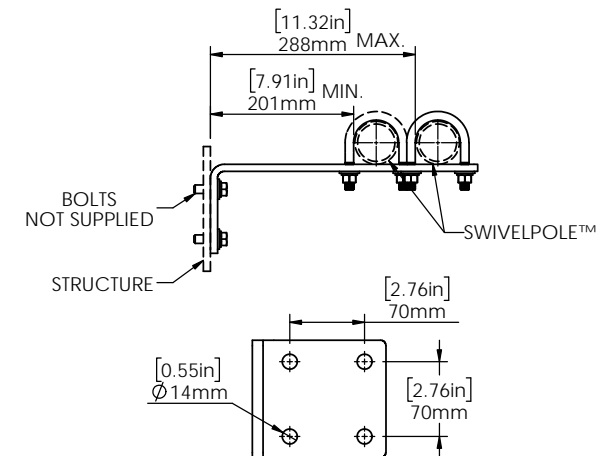
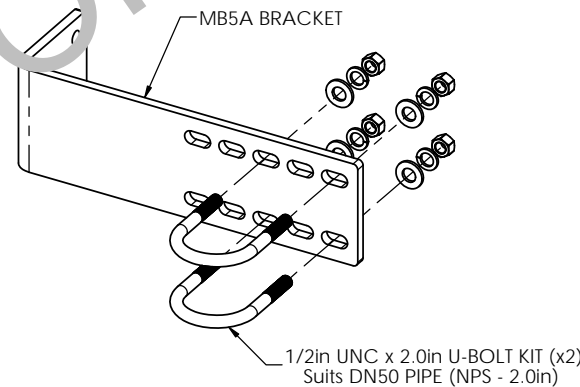
MBK6-5A-50-HG
TYPICAL ASSEMBLY
FINISH: HOT DIPPED GALVANIZED

MBK6-50-HG BRACKET
WEIGHT (INCLUDES BRACKET AND FASTENERS) = 2.2 kg [4.8 lb]



MBK6 DIMENSIONS
TO SUIT 2in, 2-1/2in AND 3in EQUAL ANGLE STANCHION
WITH FLANGE THICKNESS FROM 3/16in TO 3/8in

MBK5A-50-HG BRACKET
WEIGHT (INCLUDES BRACKET AND FASTENERS) = 4.35 kg [9.57 lb]



MBK5A DIMENSIONS



Scan Code with
QR Reader app for more
Swivelpole™ Bracket Solutions

PATENTED
PRODUCTS

www.swivelpole.com

Swivelpole

ALL DIMENSIONS ARE IN MILLIMETERS / INCHES		PROJECT	SERIES / CODE	PART NUMBER
SWIVELPOLE		MBK	MBK6-5A-50-HG (RQ1250)	
DRAWN BY	AD	DATE	21/3/10	
CHECKED BY	FB	DATE	23/3/10	
APPROVED BY	PP	DATE	30/3/10	
THIRD ANGLE PROJECTION	SCALE		N.T.S.	
TITLE			Swivelpole™ S2 Mounting Bracket Kit Typical Installation Client - Bracket Detail	
DRG No			REV	A3
C-NA-MBK6-5A-50-HG			3	

IEC