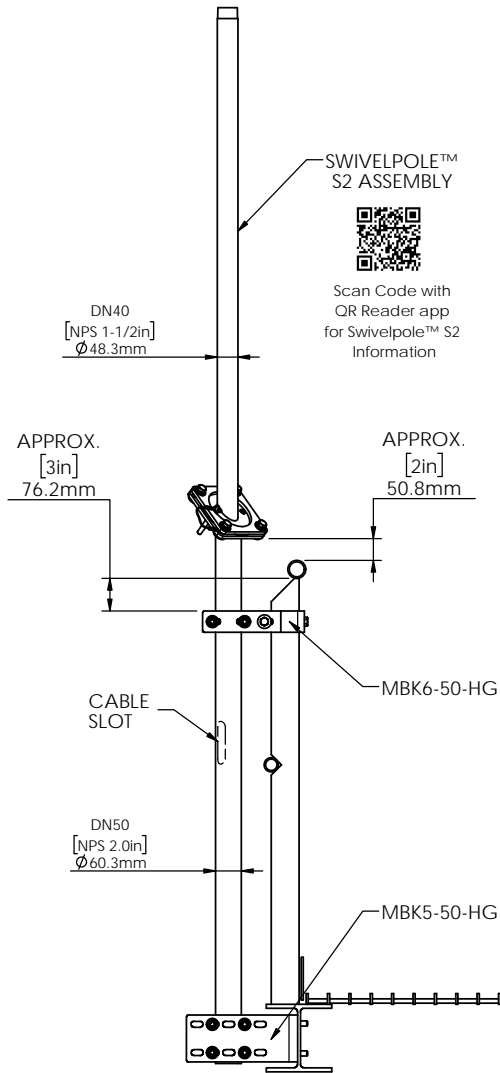


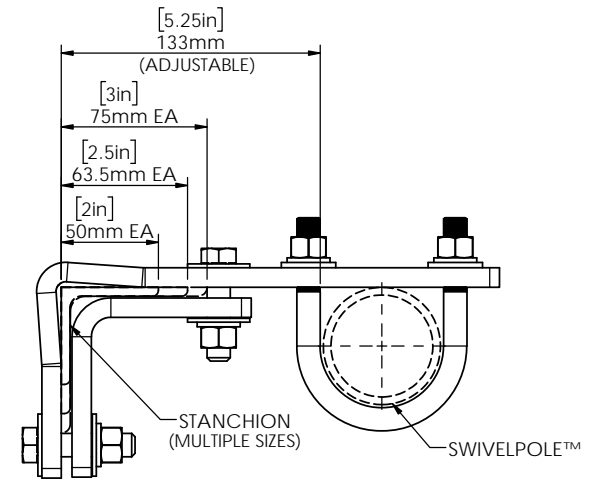
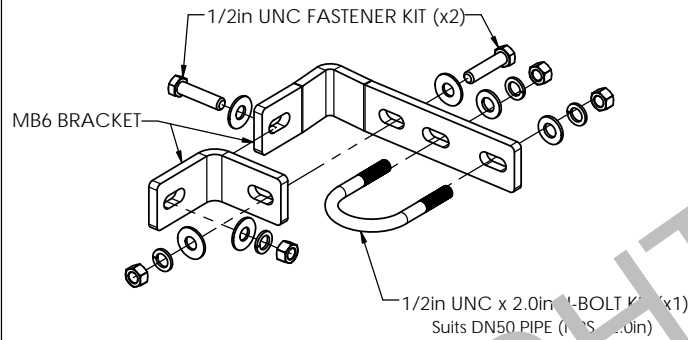
ASSEMBLY	WEIGHT
[8'] S2-2400 cw MBK6-5-50	20.5 kg [45.1 lb]
[10'] S2-3000 cw MBK6-5-50	23.0 kg [50.6 lb]



MBK6-5-50-HG
TYPICAL ASSEMBLY
FINISH: HOT DIPPED GALVANIZED

MBK6-50-HG BRACKET

WEIGHT (INCLUDES BRACKET AND FASTENERS) = 2.2 kg [4.8 lb]

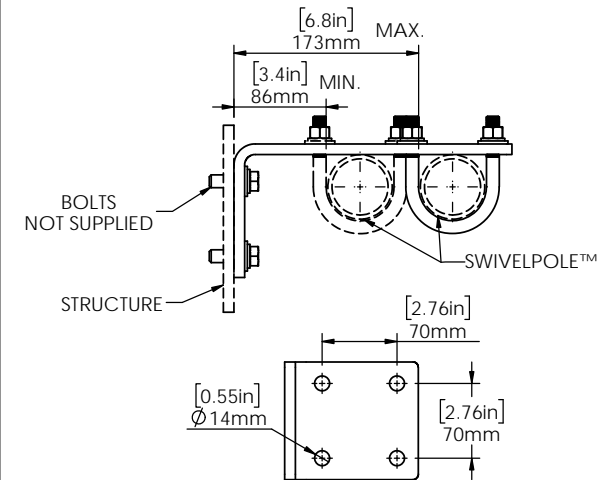
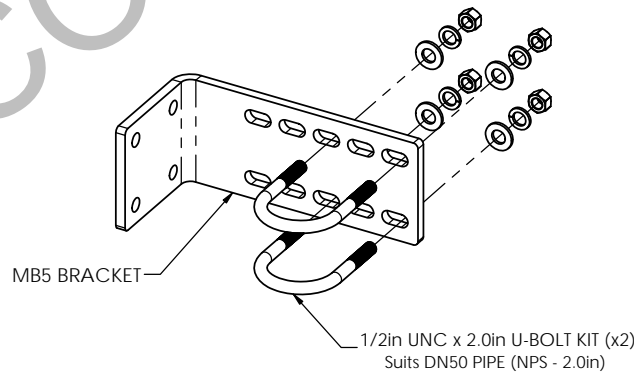


MBK6 DIMENSIONS

TO SUIT 2in, 2-1/2in AND 3in EQUAL ANGLE STANCHION WITH FLANGE THICKNESS FROM 3/16in TO 3/8in

MBK5-50-HG BRACKET

WEIGHT (INCLUDES BRACKET AND FASTENERS) = 3.35 kg [7.37 lb]



MBK5 DIMENSIONS



Scan Code with OR Reader app for more Swivelpole™ Bracket Solutions

PATENTED
PRODUCTS

www.swivelpole.com

Swivelpole

ALL DIMENSIONS ARE IN MILLIMETERS / INCHES		PROJECT	SERIES / CODE	PART NUMBER
		SWIVELPOLE	MBK	MBK6-5-50-HG (RQ1250)
DRAWN BY	AD	DATE	21/3/10	TITLE
CHECKED BY	FB	DATE	23/3/10	Swivelpole™ S2 Mounting Bracket Kit
APPROVED BY	PP	DATE	30/3/10	Typical Installation
THIRD ANGLE PROJECTION	⊕	SCALE	N.T.S.	DRG No
				C-NA-MBK6-5-50-HG
				REV 3
				A3

IEC