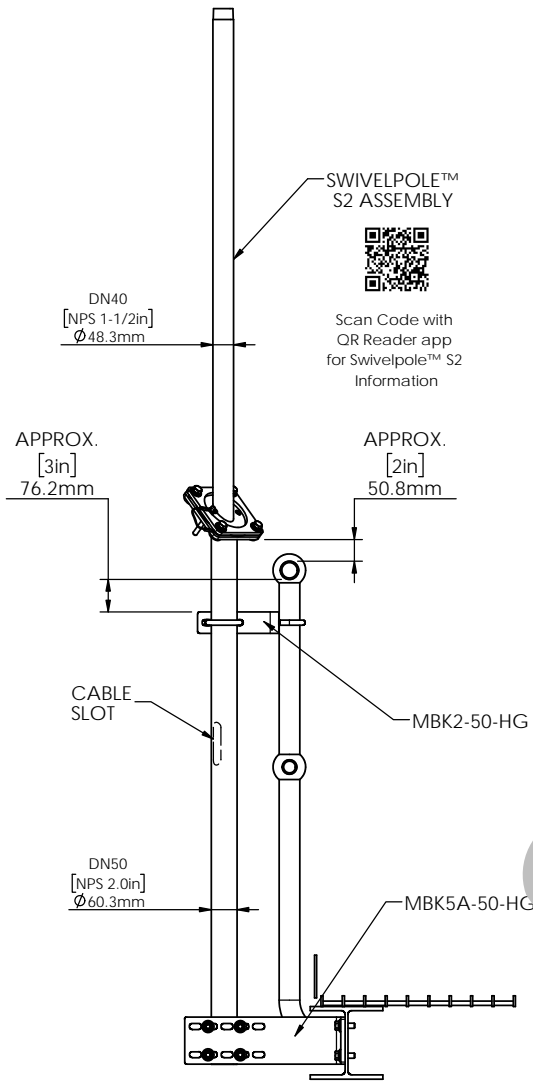


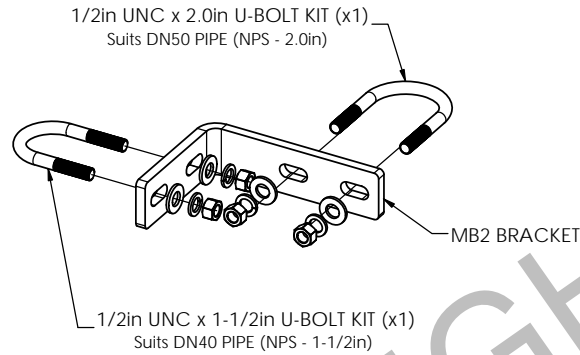
| ASSEMBLY | WEIGHT |
|-----------------------------|-------------------|
| [8'] S2-2400 cw MBK2-5A-50 | 20.9 kg [46.0 lb] |
| [10'] S2-3000 cw MBK2-5A-50 | 23.3 kg [51.3 lb] |



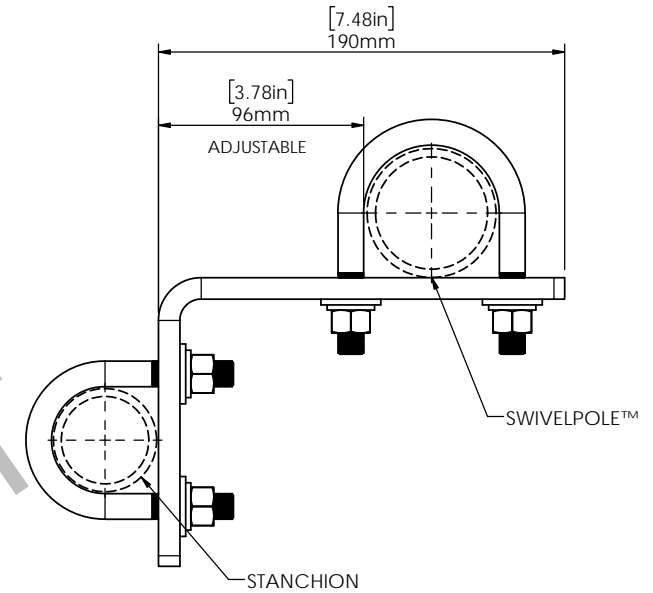
MBK2-5A-50-HG
TYPICAL ASSEMBLY
FINISH: HOT DIPPED GALVANIZED

MBK2-50-HG BRACKET

WEIGHT (INCLUDES BRACKET AND FASTENERS) = 1.6 kg [3.52 lb]

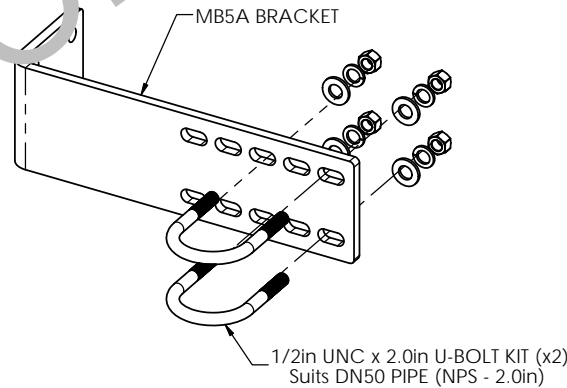


MBK2 DIMENSIONS
(TO SUIT 1-1/2in STANCHION)

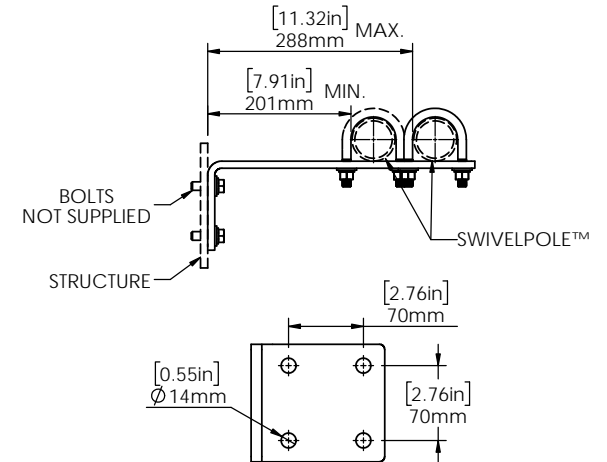


MBK5A-50-HG BRACKET

WEIGHT (INCLUDES BRACKET AND FASTENERS) = 4.35 kg [9.57 lb]



MBK5A DIMENSIONS



Scan Code with
QR Reader app for more
Swivelpole™ Bracket Solutions

PATENTED
PRODUCTS

www.swivelpole.com

Swivelpole

| | | | | |
|---|-----------------|---|----------------------|--|
| ALL DIMENSIONS IN MILLIMETERS / INCHES | | PROJECT SWIVELPOLE | SERIES / CODE MBK | PART NUMBER MBK2-5A-50-HG (RQ1250) |
| DRAWN BY AD | DATE 21/3/10 | TITLE Swivelpole™ S2 Mounting Bracket Kit Typical Installation Client - Bracket Detail | | |
| CHECKED BY FB | DATE 23/3/10 | DRG No | | |
| APPROVED BY PP | DATE 30/3/10 | SCALE N.T.S. | REV 2 | A3 |