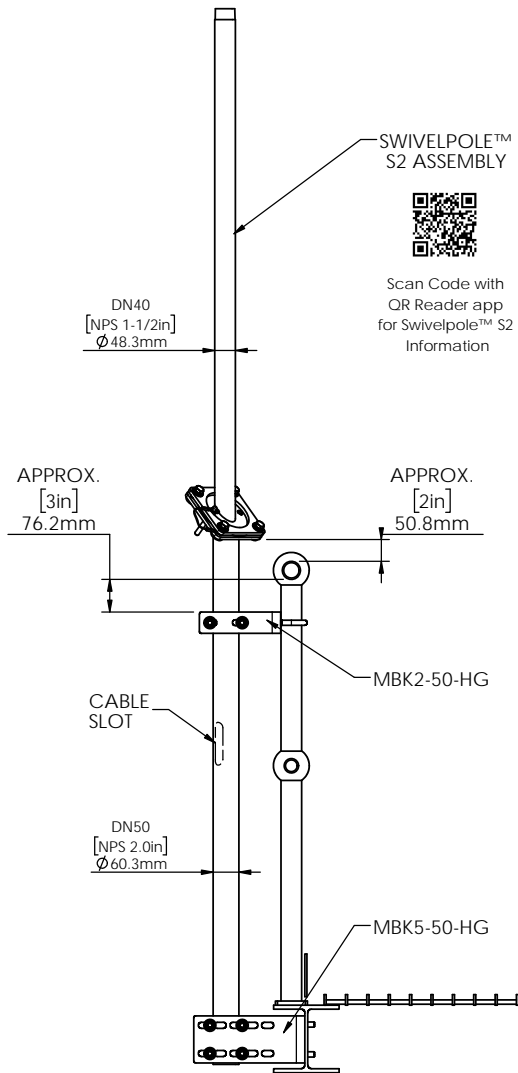


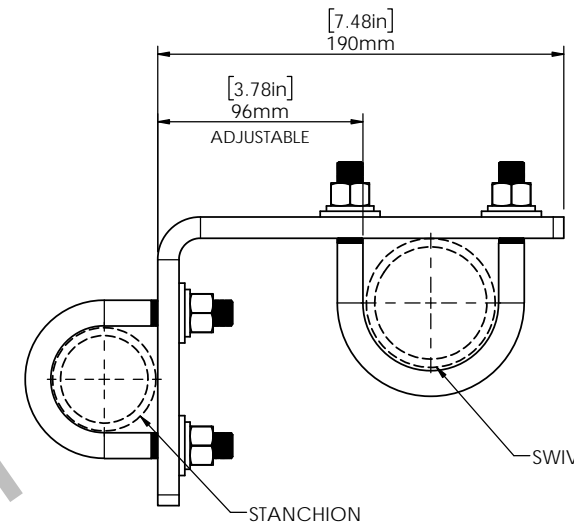
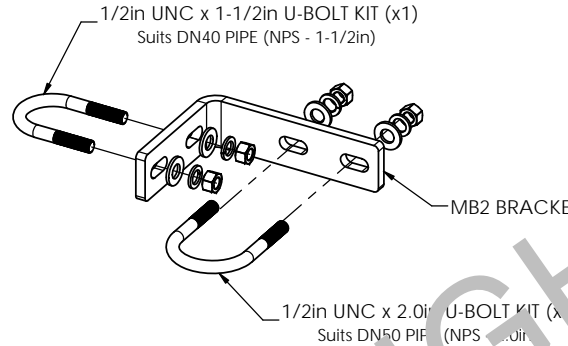
ASSEMBLY	WEIGHT
[8'] S2-2400 cw MBK2-5-50	19.9 kg [43.8 lb]
[10'] S2-3000 cw MBK2-5-50	22.3 kg [49.0 lb]



MBK2-5-50-HG
TYPICAL ASSEMBLY
FINISH: HOT DIPPED GALVANIZED

MBK2-50-HG BRACKET

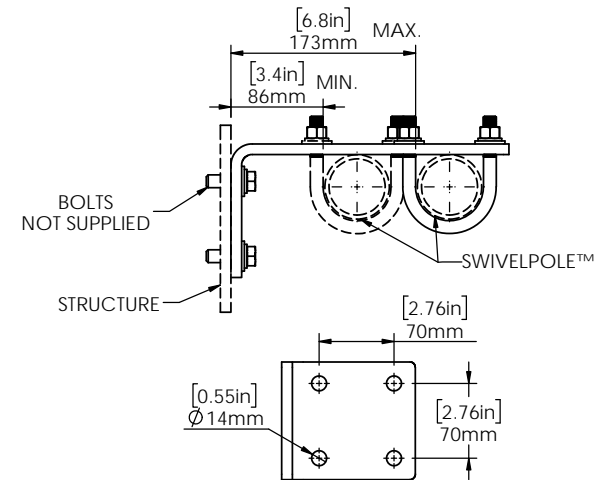
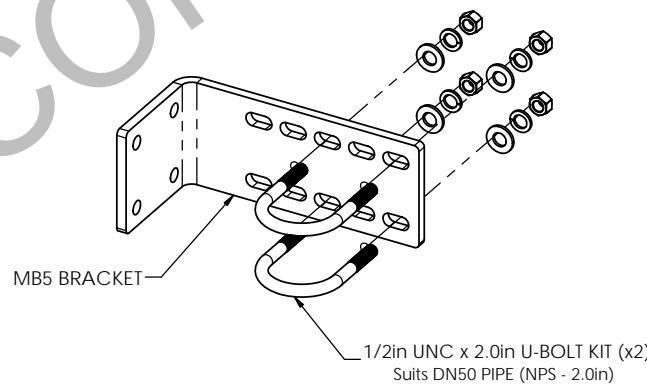
WEIGHT (INCLUDES BRACKET AND FASTENERS) = 1.6 kg [3.52 lb]



MBK2 DIMENSIONS
(TO SUIT 1-1/2in STANCHION)

MBK5-50-HG BRACKET

WEIGHT (INCLUDES BRACKET AND FASTENERS) = 3.35 kg [7.37 lb]



MBK5 DIMENSIONS



Scan Code with QR Reader app for more Swivelpole™ Bracket Solutions

PATENTED
PRODUCTS

www.swivelpole.com

Swivelpole

ALL DIMENSIONS ARE IN MILLIMETERS / INCHES		PROJECT	SERIES / CODE	PART NUMBER
		SWIVELPOLE	MBK	MBK2-5-50-HG (RQ1250)
DRAWN BY	AD	DATE	21/3/10	TITLE
CHECKED BY	FB	DATE	23/3/10	Swivelpole™ S2 Mounting Bracket Kit
APPROVED BY	PP	DATE	30/3/10	Typical Installation
THIRD ANGLE PROJECTION	⊕	SCALE	N.T.S.	DRG No
				C-NA-MBK2-5-50-HG
				REV 2 A3

IEC