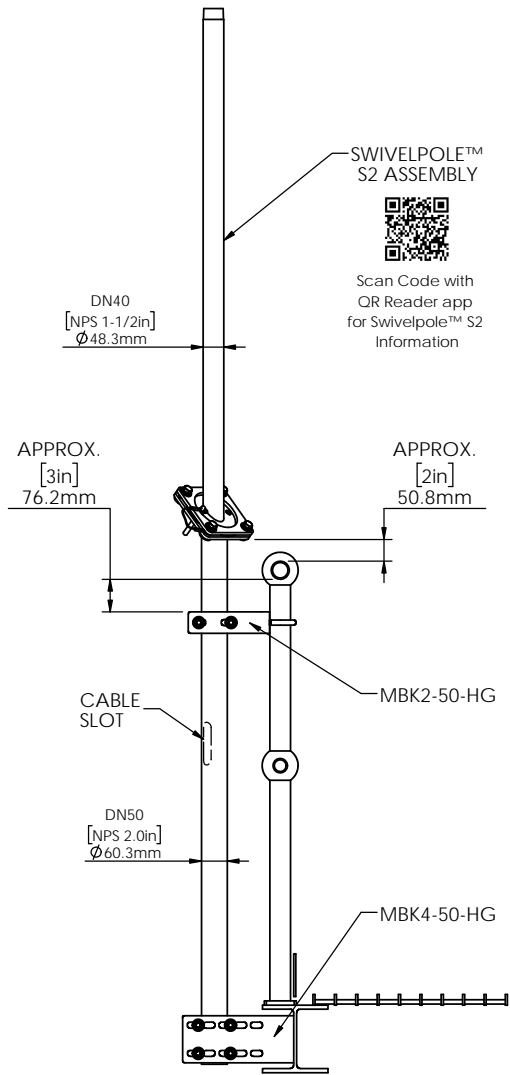


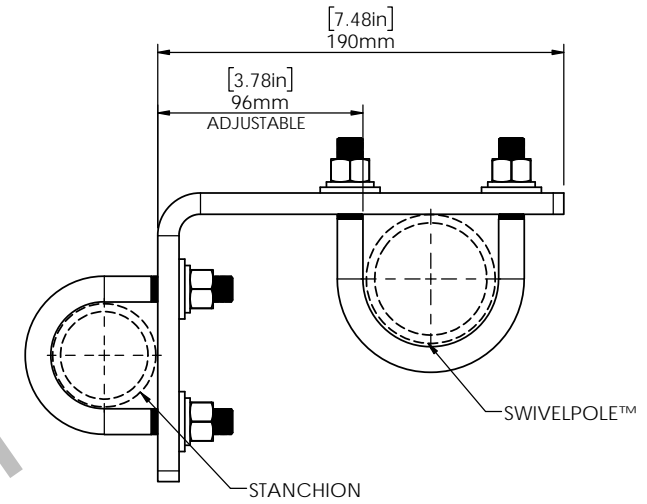
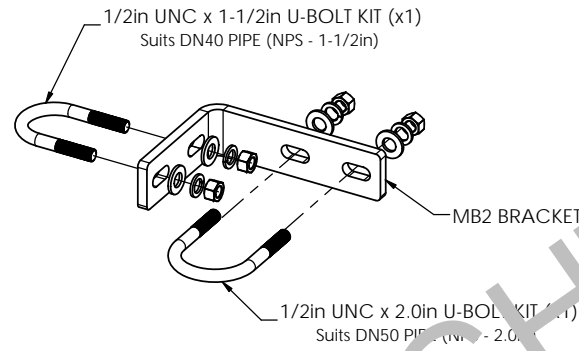
ASSEMBLY	WEIGHT
[8'] S2-2400 cw MBK2-4-50	18.8 kg [41.4 lb]
[10'] S2-3000 cw MBK2-4-50	21.2 kg [46.6 lb]



MBK2-4-50-HG
TYPICAL ASSEMBLY
FINISH: HOT DIPPED GALVANIZED

MBK2-50-HG BRACKET

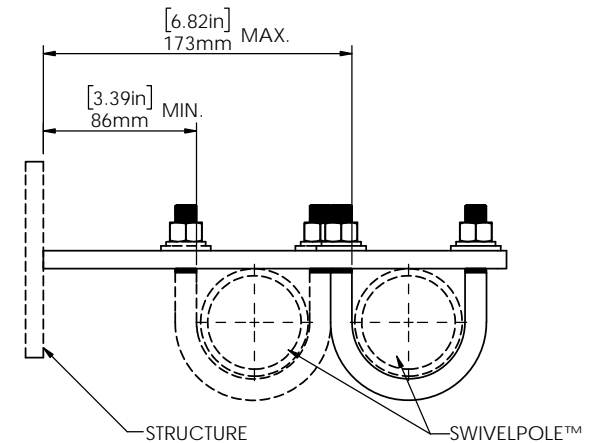
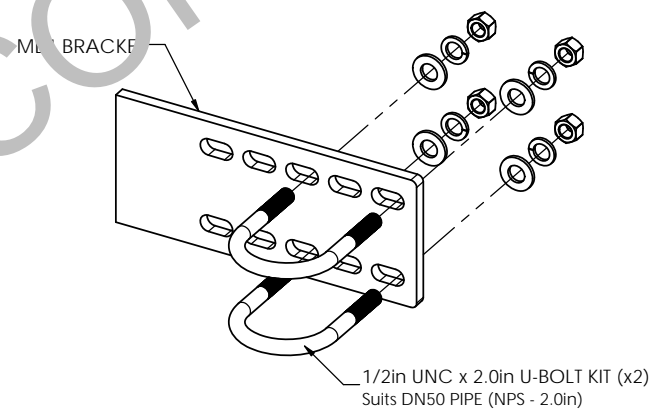
WEIGHT (INCLUDES BRACKET AND FASTENERS) = 1.6 kg [3.52 lb]



MBK2 DIMENSIONS
(TO SUIT 1-1/2in STANCHION)

MBK4-50-HG BRACKET

WEIGHT (INCLUDES BRACKET AND FASTENERS) = 2.4 kg [5.28 lb]



MBK4 DIMENSIONS
(WELDED TO STRUCTURE)

IEC



Scan Code with QR Reader app for more Swivelpole™ Bracket Solutions

PATENTED
PRODUCTS

www.swivelpole.com

Swivelpole

<small>ALL DIMENSIONS ARE BY MILLIMETERS / INCHES</small> PROJECT: SWIVELPOLE SERIES / CODE: MBK PART NUMBER: MBK2-4-50-HG (RQ1250)		<small>THIS DOCUMENT IS THE PROPERTY OF AND PROTECTED BY COPYRIGHT OWNED BY SWIVELPOLE GROUP PTY LTD. THE DESIGNS AND OTHER INFORMATION EMBODIED IN THIS DOCUMENT COMPRISE CONFIDENTIAL INFORMATION OF SWIVELPOLE GROUP PTY LTD AND FORM PART OF PRODUCTS COVERED BY INTERNATIONAL PATENTS AND REGISTERED DESIGNS INCLUDING US PATENT NO 6957832. UNAUTHORIZED USE, REPRODUCTION AND DISCLOSURE ARE STRICTLY PROHIBITED. THIS DOCUMENT MUST NOT BE REMOVED FROM THE PREMISES OF THE LICENSED USER OF THIS DOCUMENT WITHOUT SWIVELPOLE GROUP PTY LTD'S PRIOR APPROVAL.</small>	
DRAWN BY: AD CHECKED BY: FB APPROVED BY: PP	DATE: 21/3/10 DATE: 23/3/10 DATE: 30/3/10	TITLE: Swivelpole™ S2 Mounting Bracket Kit Typical Installation Client - Bracket Detail	REV: 1 A3
THIRD ANGLE PROJECTION	SCALE: N.T.S.	DRG No: C-NA-MBK2-4-50-HG	