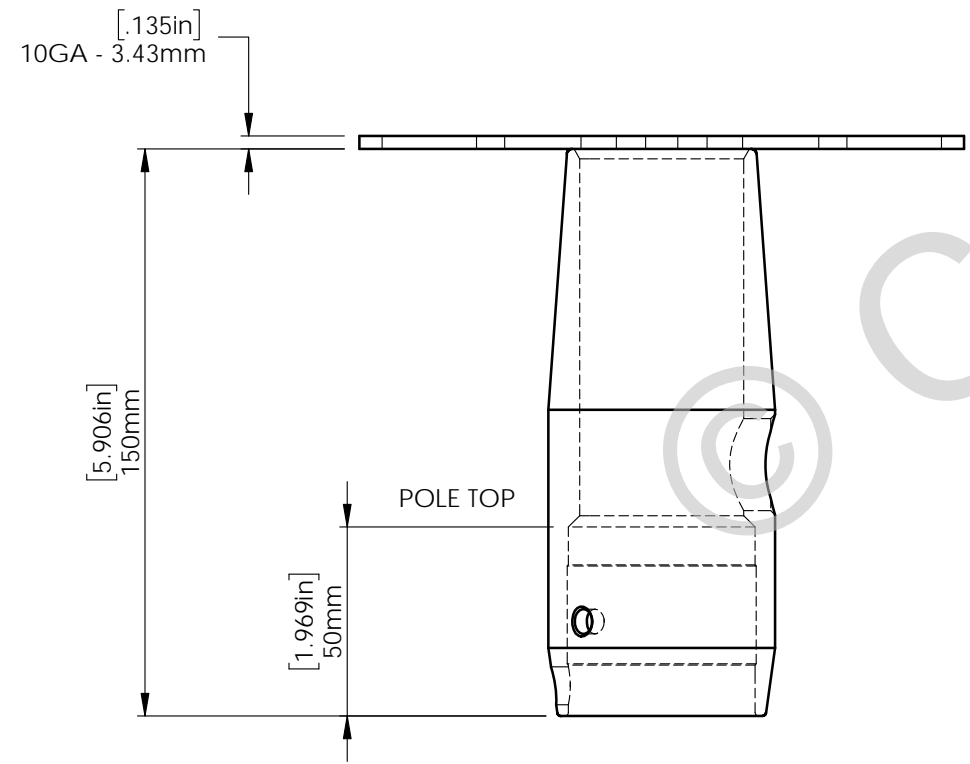


5/16"UNC
GRUB SCREW (x2)

3/4in NPT
CONDUIT THREAD

DN 40
[NPS - 1-1/2in]
(Ø48.3mm)



PART No = LMK6101-40-HG
WEIGHT = 1.6kg (3.52 lb)
FINISH = HOT DIPPED GALVANIZED

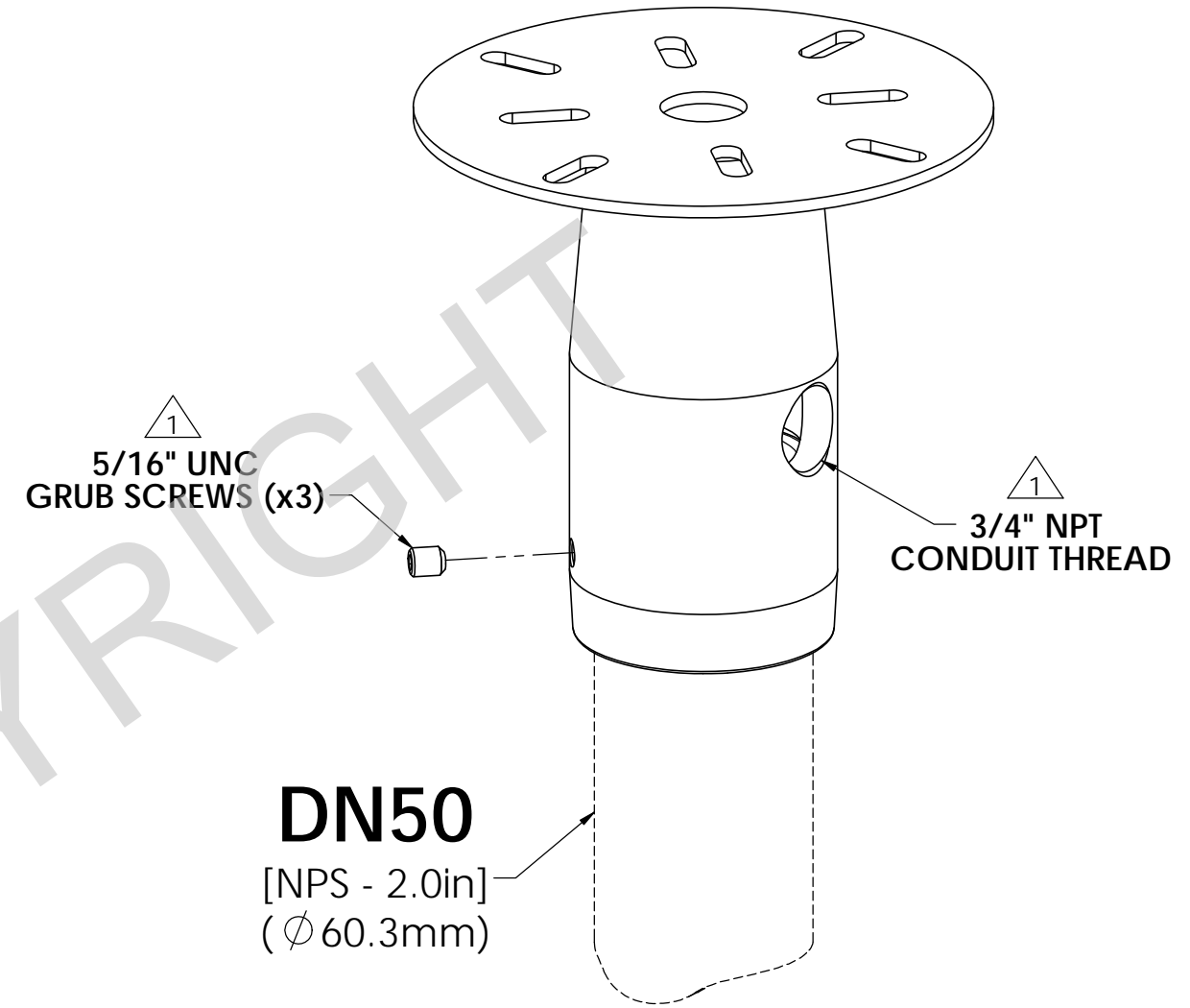
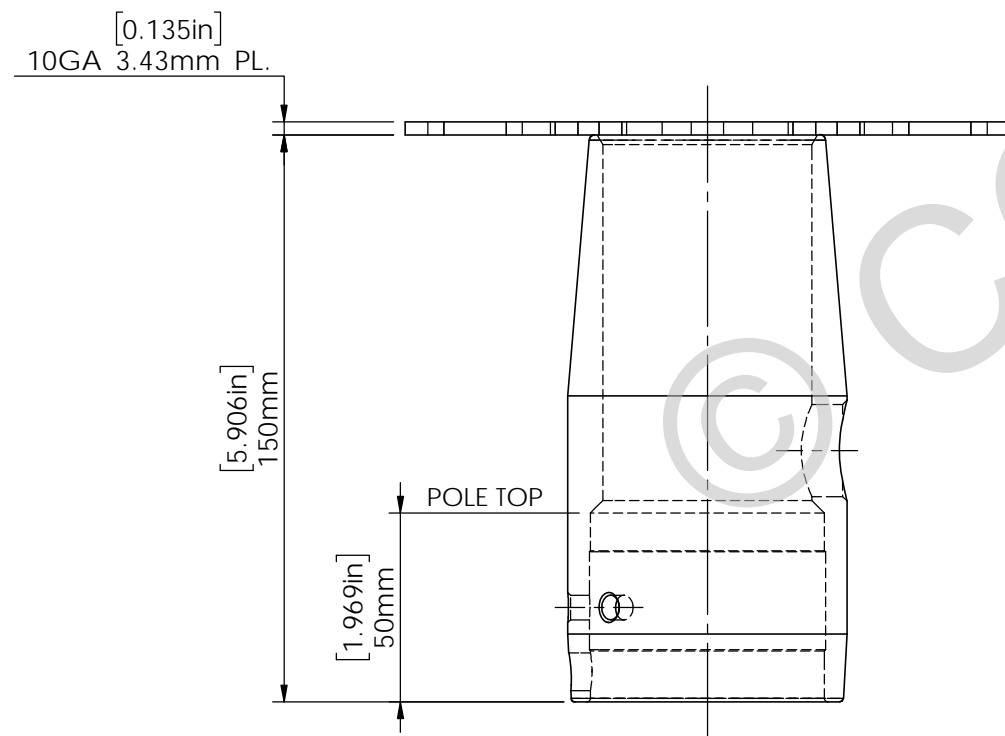
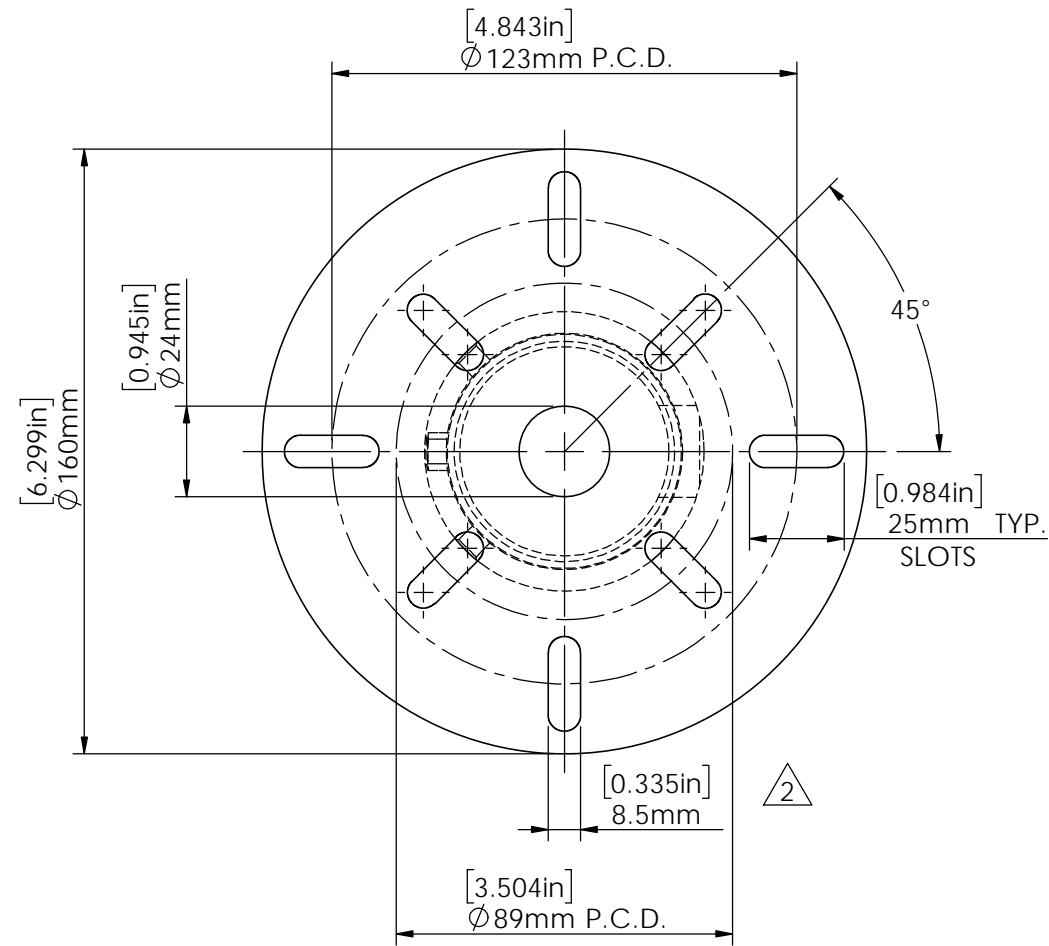
SUPPLIED WITH 2 x 5/16" GRUB SCREWS
& PLASTIC CAP



Scan Code with
QR Reader app for more
Swivelpole™ Light Mount
Product Information

PATENTED
PRODUCTS
www.swivelpole.com

ALL DIMENSIONS ARE IN MILLIMETERS / INCHES PROJECT: SWIVELPOLE™ SERIES / CODE: LM PART NUMBER: LMK6101-40-HG (RQ1354)		This document is the property of and protected by copyright owned by Swivelpole Group Pty Ltd. The designs and other information embodied in this document comprise confidential information of Swivelpole Group Pty Ltd and form part of products covered by international patents and registered designs including US patent No 6957832. Unauthorised use, reproduction and disclosure are strictly prohibited. This document must not be removed from the premises of the licensed user of this document without Swivelpole Group Pty Ltd's prior approval.	
DRAWN BY: AD	DATE: 26-10-09	TITLE: DN40 [NPS - 1-1/2in] Luminaire Mount Signal / Multipurpose (bolt-on) Client detail	
CHECKED BY: FB	DATE: 22-04-10	DRG No: C-NA-LMK6101-40-HG	
APPROVED BY: PP	DATE: 26-04-10	SCALE: 1:2	REV: 3
THIRD ANGLE PROJECTION			A3



PART NUMBER = LMK6101-50-HG

WEIGHT = 2.0 kg [4.4 lb]

FINISH = HOT DIPPED GALVANIZED

SUPPLIED WITH 3x 5/16" GRUB SCREWS ²



Scan Code with QR Reader app for more Swivelpole™ Light Mount Product Information

PATENTED
PRODUCTS

www.swivelpole.com

Swivelpole™

This document is the property of and protected by copyright owned by Swivelpole Group Pty Ltd. The designs and other information embodied in this document comprise confidential information of Swivelpole Group Pty Ltd and form part of products covered by international patents and registered designs including US patent No 6957832. Unauthorised use, reproduction and disclosure are strictly prohibited. This document must not be removed from the premises of the licensed user of this document without Swivelpole Group Pty Ltd's prior approval.

ALL DIMENSIONS ARE IN MILLIMETERS / INCHES	PROJECT	SERIES / CODE	PART NUMBER
	Swivelpole™	LMK	LMK6101-50-HG (RQ1354)
DRAWN BY	AD	DATE	26-10-09
CHECKED BY	FB	DATE	22-04-10
APPROVED BY	PP	DATE	26-04-10
THIRD ANGLE PROJECTION	SCALE		DRG No
	1:2		C-NA-LMK6101-50-HG
TITLE			REV
DN50 [NPS - 2.0in] Luminaire Mount Signal / Multipurpose (bolt-on) Client detail ²			2
			A3