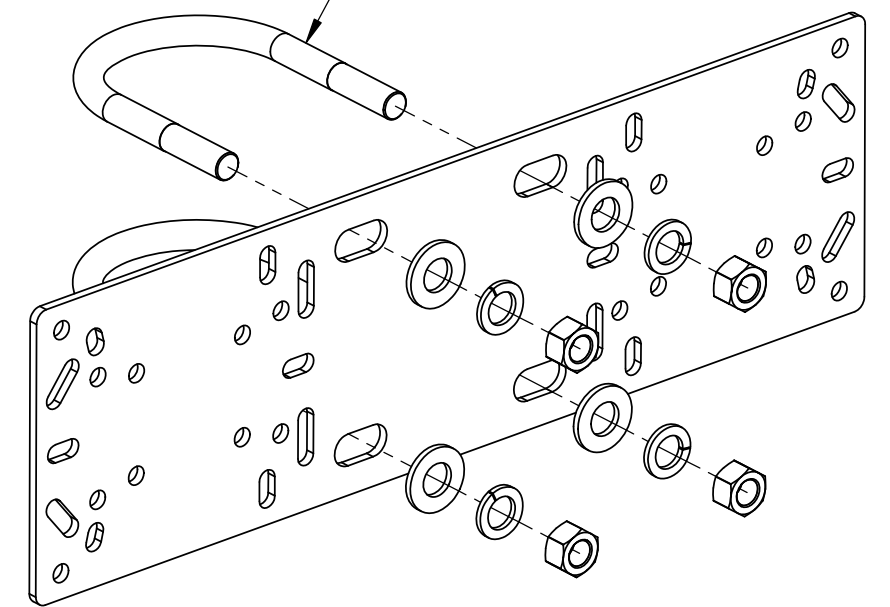


SUPPLIED WITH 2x DN65 U-BOLTS
(OPTIONAL WITH DN80)



DOUBLE 'J' BOX
ISOMETRIC VIEW

PART No. = JBPK1201-65-HG
MATERIAL = AS3678-250
WEIGHT = 2.2 kg

REV.	DESCRIPTION	DATE	APPROVED
0	ISSUED FOR INFORMATION	4/7/13	PP
REVISIONS			

Swivelpole™

This document is the property of and protected by copyright owned by Safe Swivel Technology Pty Ltd (SST). The designs and other information embodied in this document comprise confidential information of SST and form part of products covered by international patents and registered designs including US patent No 6957832. Unauthorised use, reproduction and disclosure are strictly prohibited. This document must not be removed from the premises of the licensed user of this document without SST's prior approval.

ALL DIMENSIONS ARE IN MILLIMETERS	PROJECT	SERIES / CODE	PART NUMBER
	SWIVELPOLE	JBP	JBPK1201-65-HG
DRAWN BY	DATE	TITLE	
KM	4/7/13	Swivelpole Junction box plate kit	
CHECKED BY	DATE	Client detail	
BP	4/7/13		
APPROVED BY	DATE		
PP	4/7/13		
THIRD ANGLE PROJECTION	SCALE	DRG No	REV
	1:3	C-NA-JBPK1201-65-HG	0 A3