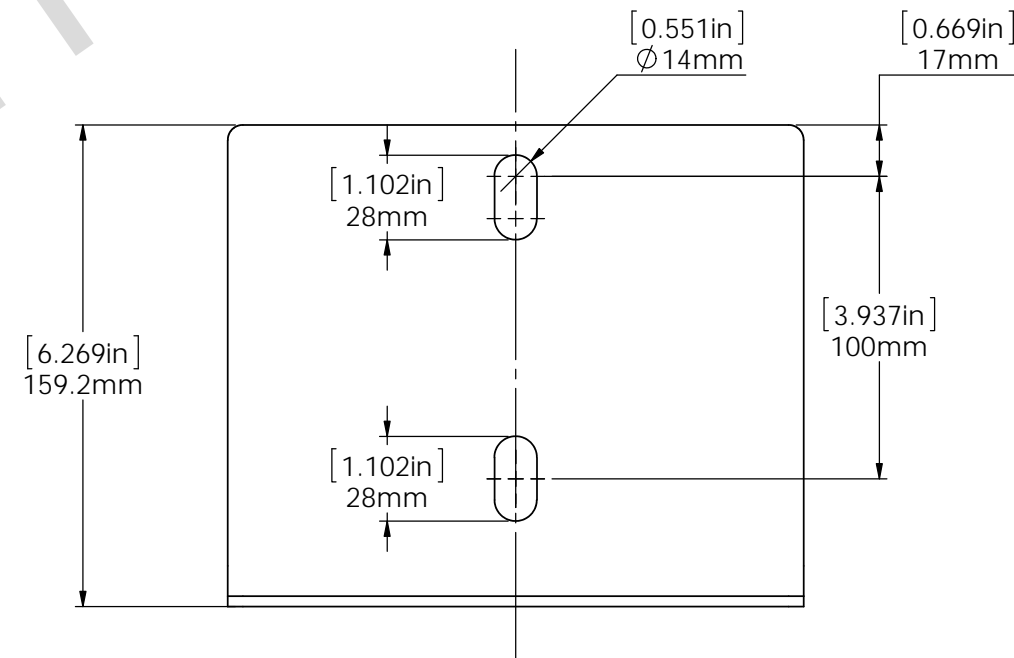
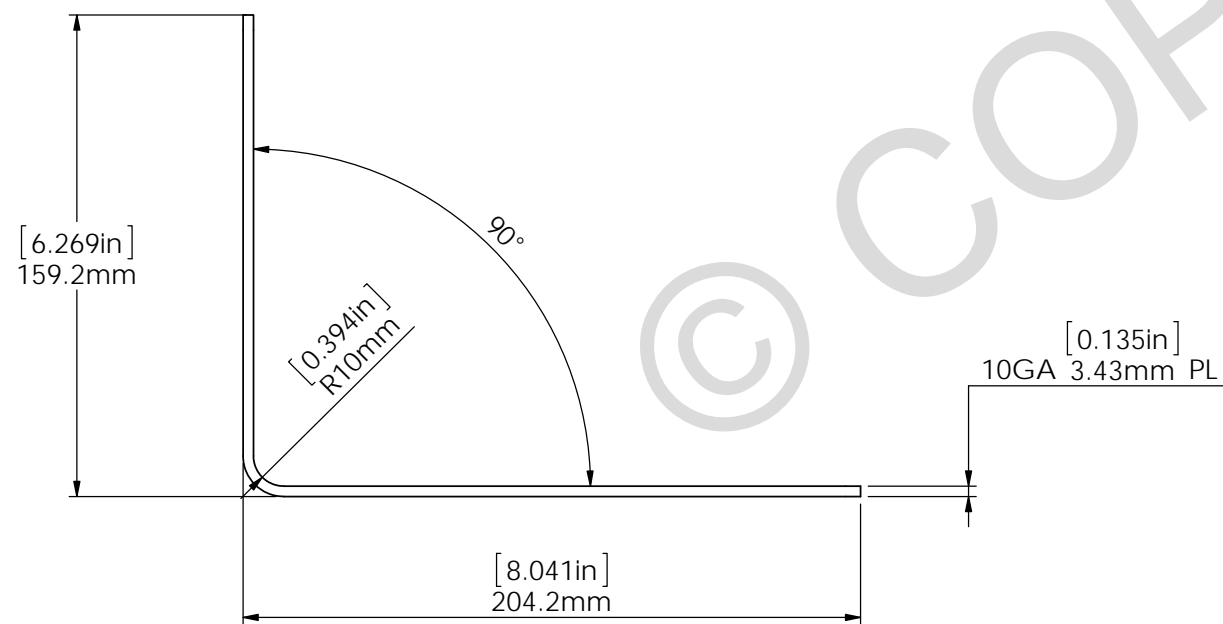


ISOMETRIC VIEW

PART No. = JBPK1100-UNI-65-002-HG
MATERIAL = Mild Steel Gr. ASTM A 36
WEIGHT = 1.6 kg

SUPPLIED WITH DN65 U-BOLT & NUTS



0	ISSUED FOR INFORMATION	3/7/13	PP
REV.	DESCRIPTION	DATE	APPROVED
REVISIONS			

Swivelpole™	This document is the property of and protected by copyright owned by Safe Swivel Technology Pty Ltd (SST). The designs and other information embodied in this document comprise confidential information of SST and form part of products covered by international patents and registered designs including US patent No 6957832. Unauthorised use, reproduction and disclosure are strictly prohibited. This document must not be removed from the premises of the licensed user of this document without SST's prior approval.			
	ALL DIMENSIONS ARE IN MILLIMETERS	PROJECT SWIVELPOLE	SERIES / CODE JBP	PART NUMBER JBPK1100-UNI-65-002-HG
	DRAWN BY KM	DATE 3/7/13	TITLE Swivelpole	
	CHECKED BY BP	DATE 3/7/13	DN 65 [2.5n] Universal Junction Box Plate Kit	
	APPROVED BY PP	DATE 3/7/13	Client Detail	
THIRD ANGLE PROJECTION	SCALE 1:2.5	DRG No C-NA-JBPK1100-UNI-65-002-HG	REV 0	A3