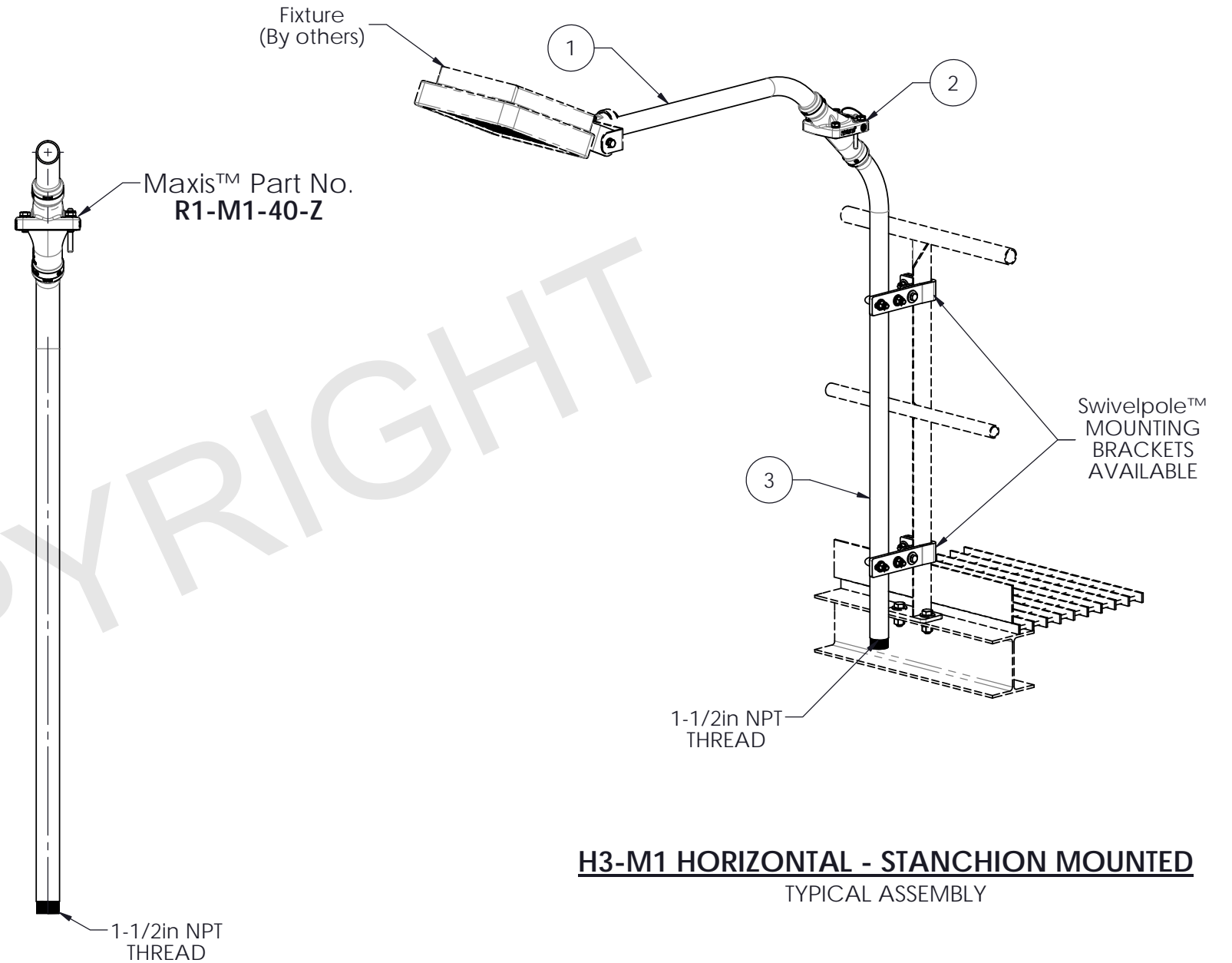
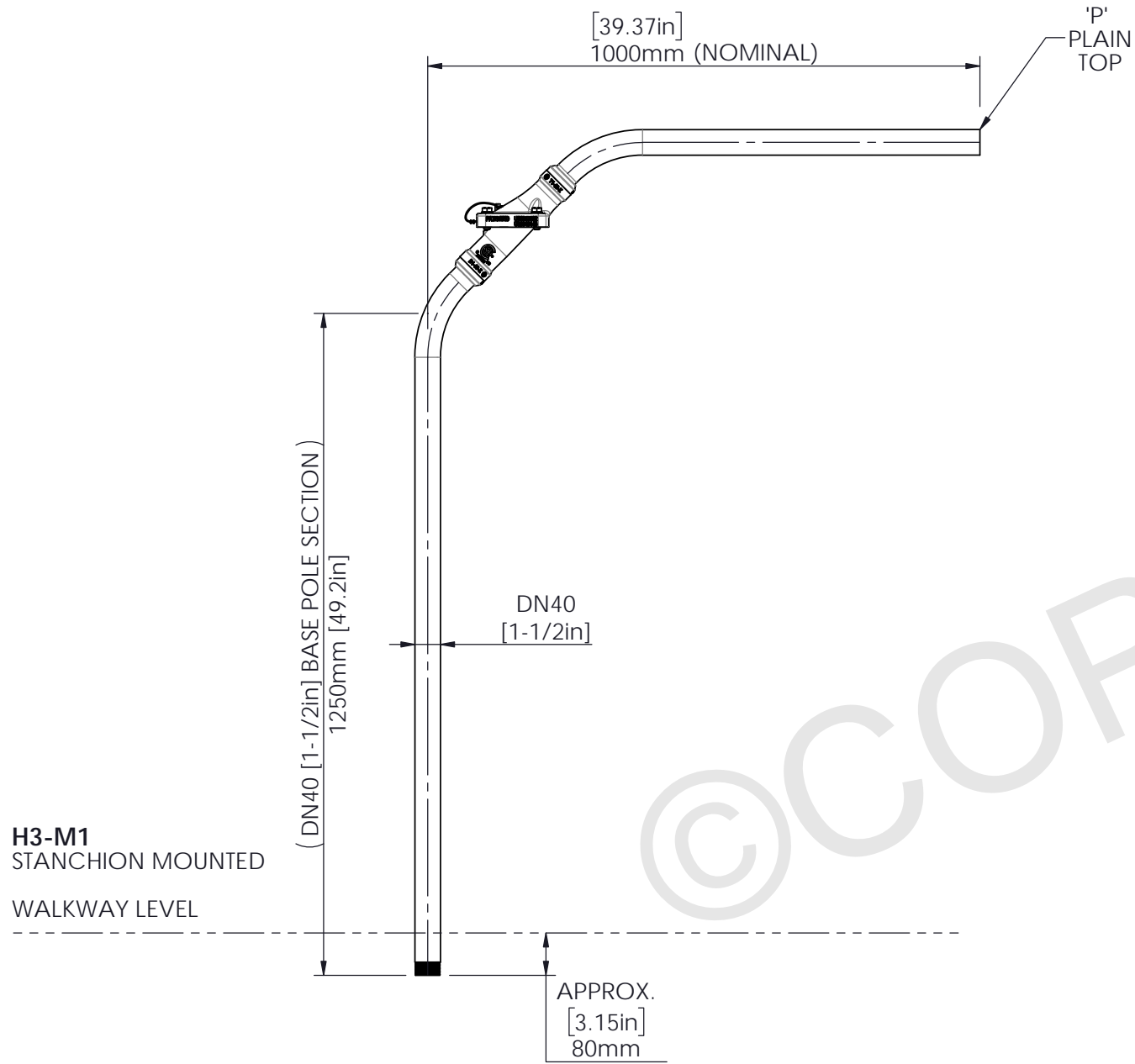


ITEM No.	QTY.	DESCRIPTION	MATERIAL OPTIONS
1	1	TOP POLE SECTION - PLAIN	STEEL / HOT DIP GALVANIZED
2	1	Maxis™ M1 JOINT	STEEL / ZINC ALUMINUM COATING
3	1	BASE POLE SECTION - THREADED	STEEL / HOT DIP GALVANIZED



H3-M1 HORIZONTAL - STANCHION MOUNTED
TYPICAL ASSEMBLY

Ordering Information: HOT-DIP GALVANIZED

INSTALLED HEIGHT	PRODUCT CODE	WEIGHT
1500mm [5']	H3-M1-1500-10-P-HG	13.5 kg (29.7 lb)

IEC



Scan Code with QR Reader app for more Swivelpole™ - Maxis™ Product Information

maxis
PATENTED PRODUCTS

www.maxisjoint.com

PATENTED PRODUCTS

www.swivelpole.com

Swivelpole™

This document is the property of and protected by copyright owned by Swivelpole Group Pty Ltd and or Exemplar Products Pty Ltd. The designs and other information embodied in this document comprise confidential information of Swivelpole Group Pty Ltd and or Exemplar Products Pty Ltd and form part of products covered by international patents and registered designs including US patent No 6957832 and US patent No 9945143. Unauthorised use, reproduction and disclosure are strictly prohibited. This document must not be removed from the premises of the licensed user of this document without Swivelpole Group Pty Ltd's and or Exemplar Products Pty Ltd's prior approval.

ALL DIMENSIONS ARE IN MILLIMETERS / INCHES	SERIES / CODE	PART NUMBER
	HORIZ	As Noted
DRAWN BY: KM	DATE: 7/12/20	TITLE: Swivelpole™ H3 - Maxis™ M1 Horizontal DN40 BASE - Threaded, DN40 TOP - Plain Client Detail
CHECKED BY: IL	DATE: 7/12/20	
APPROVED BY: RP	DATE: 7/12/20	
THIRD ANGLE PROJECTION	SCALE: N.T.S.	DRG No: C-IEC-H3-M1-1500-10-P-HG
		REV: 0 A3