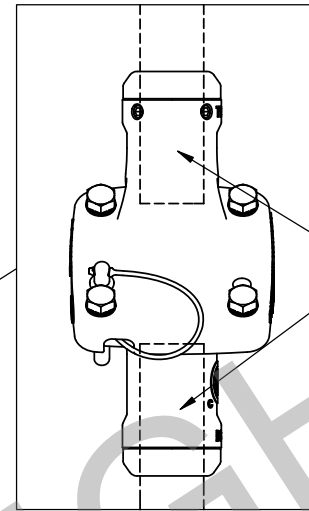
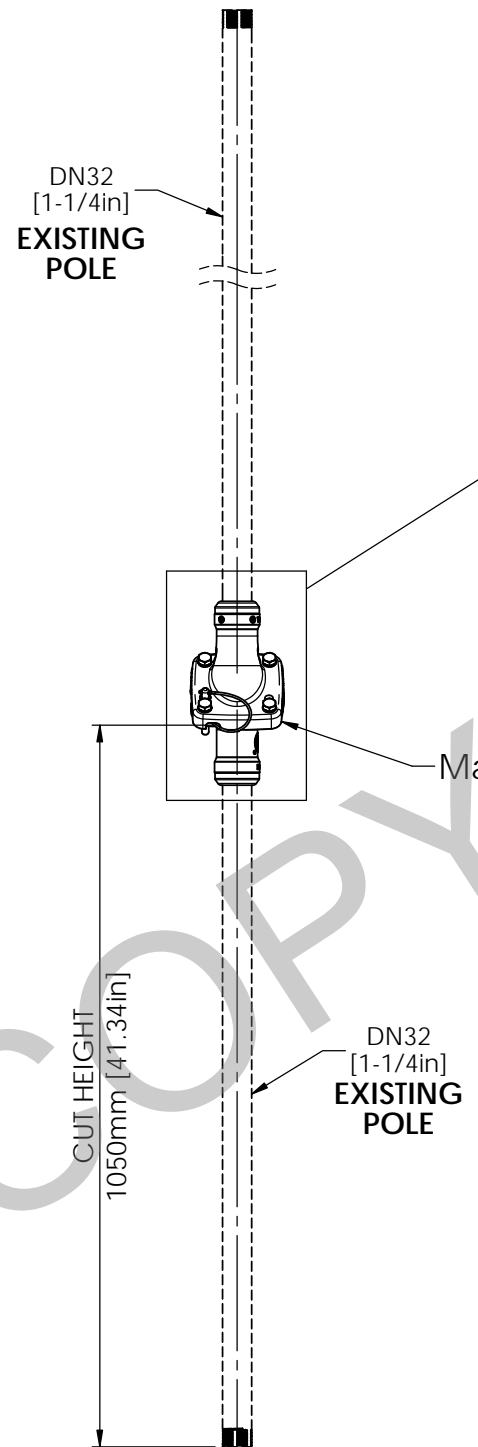
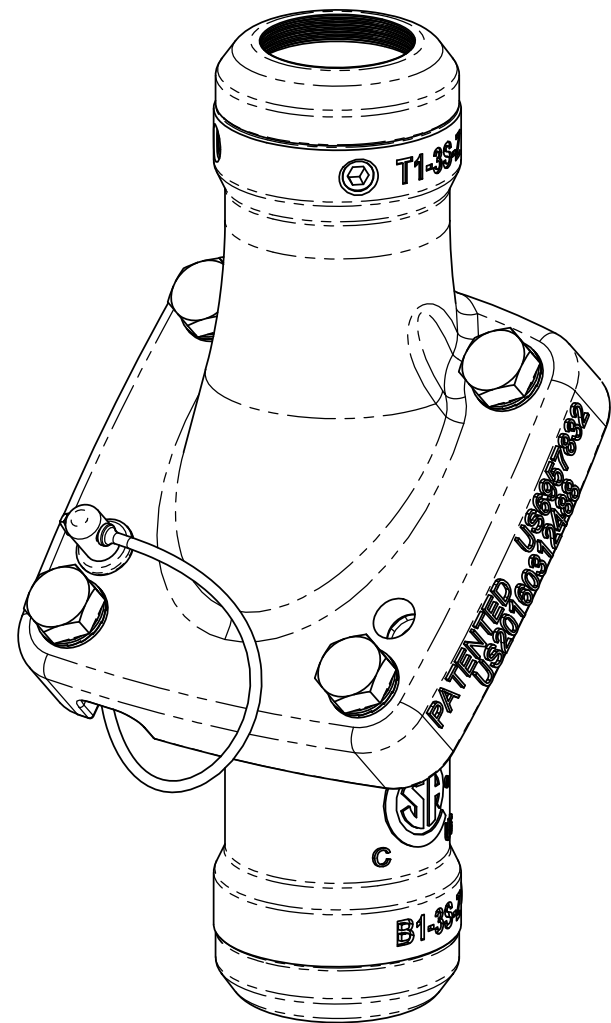
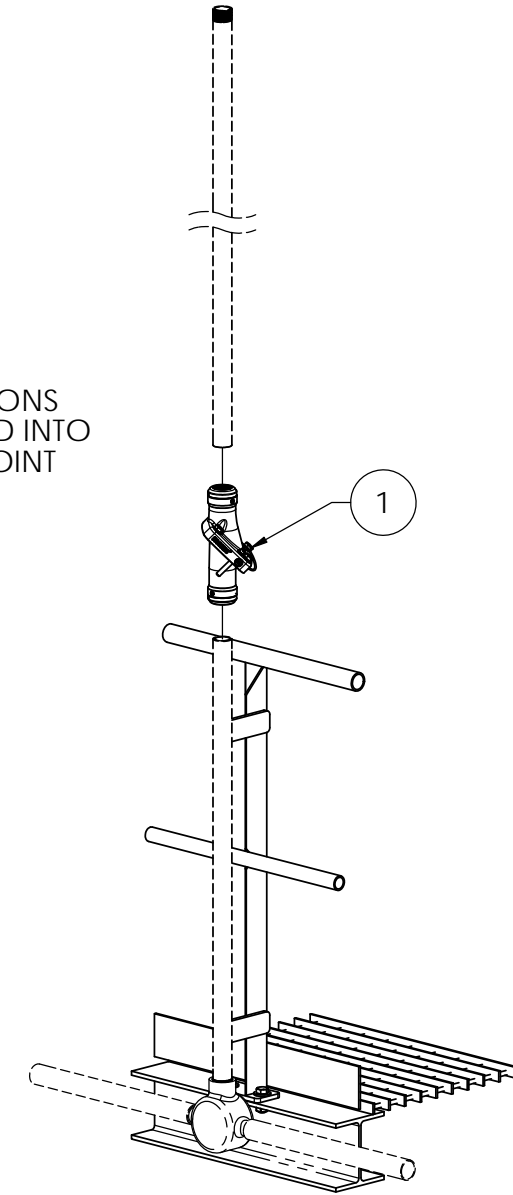


ITEM NO.	QTY.	DESCRIPTION	MATERIAL OPTIONS
1	1	Maxis™ M1 JOINT	STEEL / ZINC ALUMINUM COATING



PIPE SECTIONS
ARE INSERTED INTO
Maxis™ JOINT



ATTACHED TO EXISTING BASE / TOP POLE & STRUCTURE
TYPICAL ASSEMBLY

PART NUMBER = R1-M1-32-Z
MATERIAL = STEEL / ZINC ALUMINUM COATING
WEIGHT = 4.9 kg [10.8 lb]

NEC / IEC



Scan Code with
QR Reader app for more
Swivelpole™ Solutions

maxis™
PATENTED
PRODUCTS

www.maxisjoint.com

PATENTED
PRODUCTS

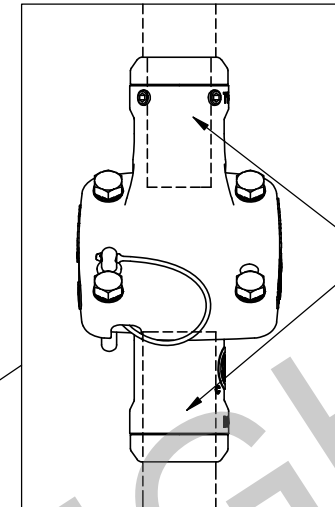
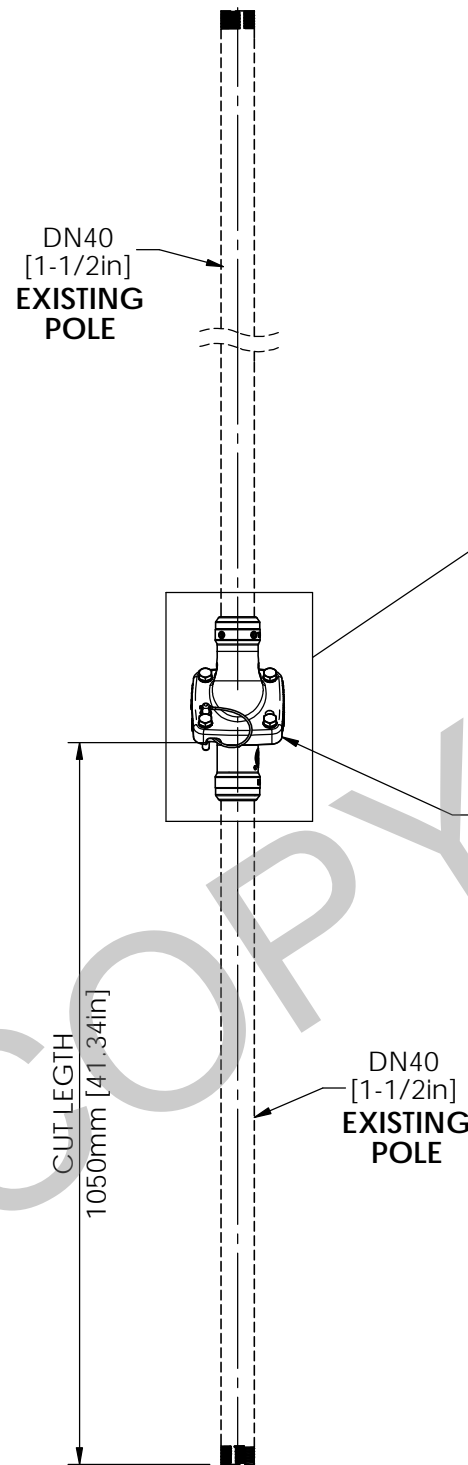
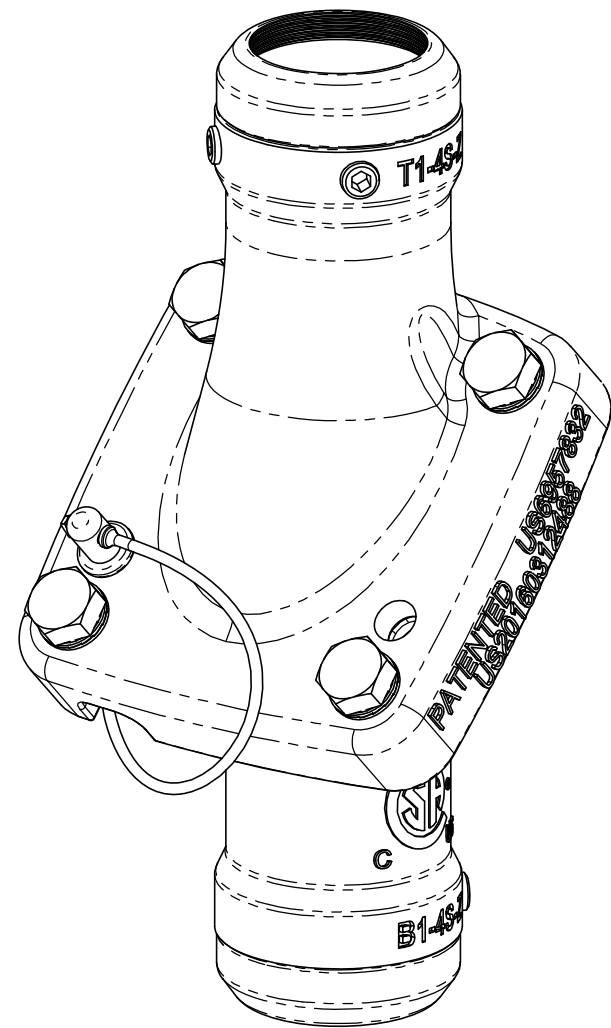
www.swivelpole.com

Swivelpole™

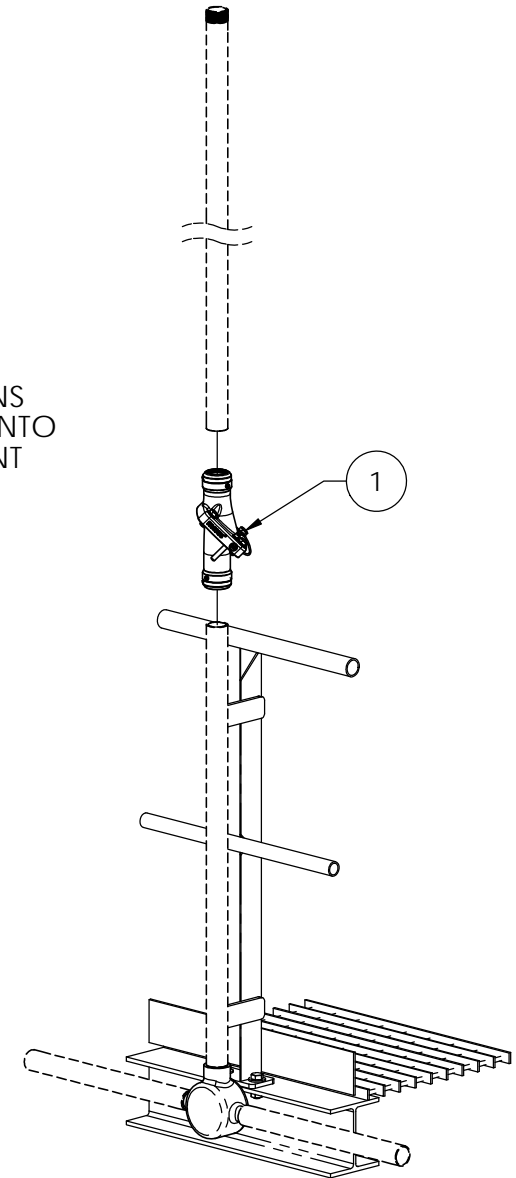
This document is the property of and protected by copyright owned by Swivelpole Group Pty Ltd and or Exemplar Products Pty Ltd. The designs and other information embodied in this document comprise confidential information of Swivelpole Group Pty Ltd and or Exemplar Products Pty Ltd and form part of products covered by international patents and registered designs including US patent No 6957832 and US patent No 9945143. Unauthorised use, reproduction and disclosure are strictly prohibited. This document must not be removed from the premises of the licensed user of this document without Swivelpole Group Pty Ltd's and or Exemplar Products Pty Ltd's prior approval.

ALL DIMENSIONS ARE IN MILLIMETERS / INCHES		SERIES / CODE	PART NUMBER
		R	R1-M1-32-Z
DRAWN BY	BP	DATE	12/3/19
CHECKED BY	KM	DATE	12/3/19
APPROVED BY	RP	DATE	12/3/19
THIRD ANGLE PROJECTION		SCALE	N.T.S.
TITLE			DRG No
Swivelpole™ R1 - Maxis™ M1 Maxis™ M1 JOINT General Assembly			C-R1-M1-32-Z
REV			A3
0			

ITEM NO.	QTY.	DESCRIPTION	MATERIAL OPTIONS
1	1	Maxis™ M1 JOINT	STEEL / ZINC ALUMINUM COATING



PIPE SECTIONS
ARE INSERTED INTO
Maxis™ JOINT



ATTACHED TO EXISTING BASE / TOP POLE & STRUCTURE
TYPICAL ASSEMBLY

PART NUMBER = R1-M1-40-Z
MATERIAL = STEEL / ZINC ALUMINUM COATING
WEIGHT = 4.4 kg [9.7 lb]



Scan Code with
QR Reader app for more
Swivelpole™ Solutions

maxis™
PATENTED
PRODUCTS

www.maxisjoint.com

PATENTED
PRODUCTS

www.swivelpole.com

Swivelpole™

This document is the property of and protected by copyright owned by Swivelpole Group Pty Ltd and or Exemplar Products Pty Ltd. The designs and other information embodied in this document comprise confidential information of Swivelpole Group Pty Ltd and or Exemplar Products Pty Ltd and form part of products covered by international patents and registered designs including US patent No 6957832 and US patent No 9945143. Unauthorised use, reproduction and disclosure are strictly prohibited. This document must not be removed from the premises of the licensed user of this document without Swivelpole Group Pty Ltd's and or Exemplar Products Pty Ltd's prior approval.

ALL DIMENSIONS ARE IN MILLIMETERS / INCHES	SERIES / CODE R	PART NUMBER R1-M1-40-Z	DRG No C-R1-M1-40-Z
DRAWN BY BP	DATE 13/03/19	TITLE Swivelpole™ R1 - Maxis™ M1	REV 1
CHECKED BY KM	DATE 13/03/19	Maxis™ M1 JOINT	A3
APPROVED BY AI	DATE 13/03/19	General Assembly	
THIRD ANGLE PROJECTION	SCALE N.T.S.		

NEC / IEC