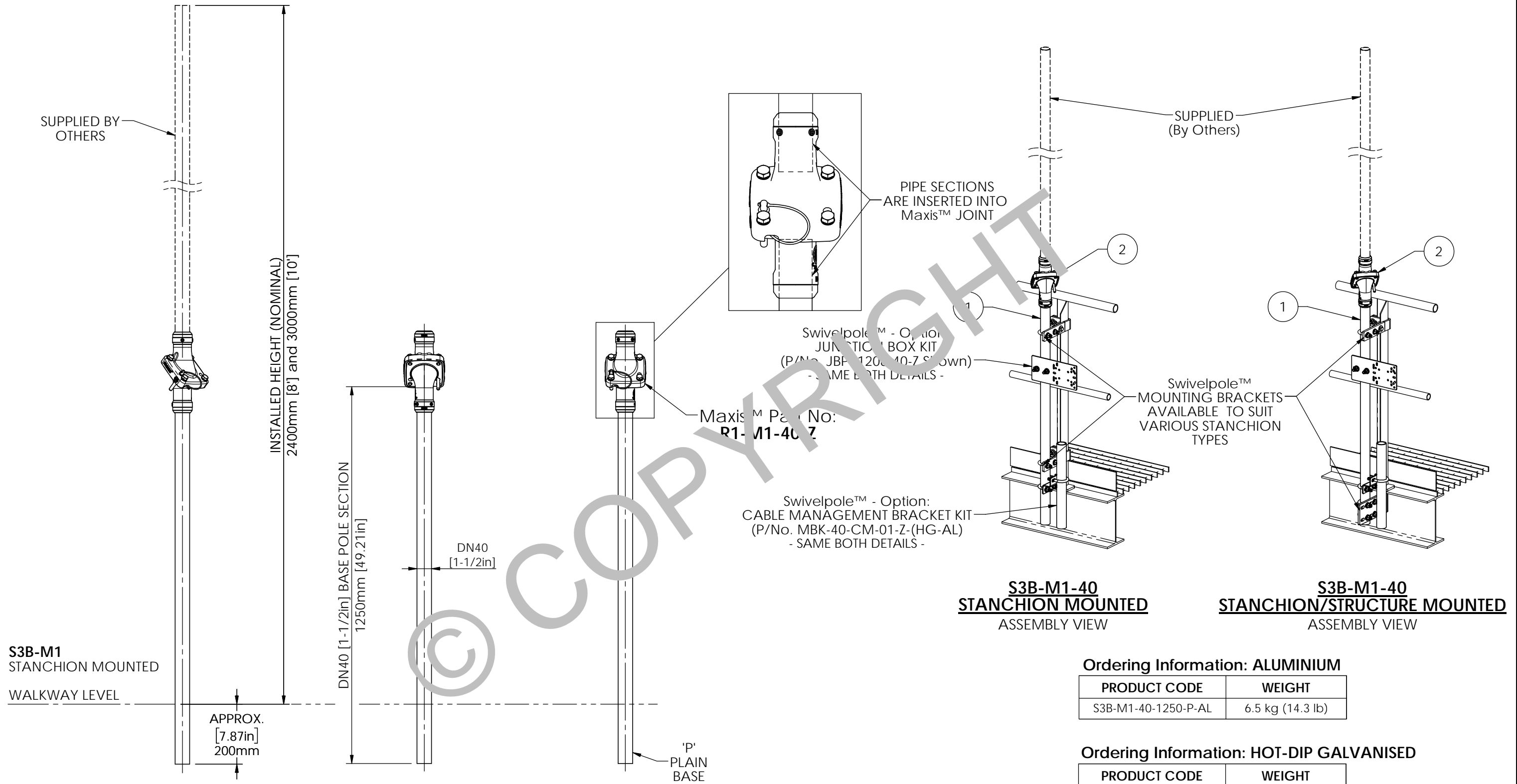


STRUCTURALLY CERTIFIED

ITEM NO.	QTY.	DESCRIPTION	MATERIAL OPTIONS
1	1	BASE POLE SECTION - PLAIN	STEEL / HOT-DIP GALVANISED ALUMINIUM
2	1	Maxis™ M1 JOINT	STEEL / ZINC ALUMINIUM COATING



Ordering Information: ALUMINIUM

PRODUCT CODE	WEIGHT
S3B-M1-40-1250-P-AL	6.5 kg (14.3 lb)

Ordering Information: HOT-DIP GALVANISED

PRODUCT CODE	WEIGHT
S3B-M1-40-1250-P-HG	8.8 kg (19.4 lb)

IEC



Scan Code with QR Reader app for more Swivelpole™ Solutions

maxis™
PATENTED PRODUCTS

www.maxisjoint.com

PATENTED
PRODUCTS

www.swivelpole.com

Swivelpole™

This document is the property of and protected by copyright owned by Swivelpole Group Pty Ltd and or Exemplar Products Pty Ltd. The designs and other information embodied in this document comprise confidential information of Swivelpole Group Pty Ltd and or Exemplar Products Pty Ltd and form part of products covered by international patents and registered designs including US patent No 6957832 and US patent No 9945143. Unauthorised use, reproduction and disclosure are strictly prohibited. This document must not be removed from the premises of the licensed user of this document without Swivelpole Group Pty Ltd's and or Exemplar Products Pty Ltd's prior approval.

ALL DIMENSIONS ARE IN MILLIMETERS / INCHES	SERIES / CODE	PART NUMBER
	S	As Noted (RQ1578 - 18/03/20)
DRAWN BY: BP	DATE: 08/04/19	TITLE: Swivelpole™ S3B - Maxis™ M1 Base Section - PLAIN General Assembly
CHECKED BY: KM	DATE: 09/04/19	
APPROVED BY: AI	DATE: 09/04/19	
THIRD ANGLE PROJECTION	SCALE: N.T.S.	DRG No: C-IEC-S3B-M1-40-002-(HG-AL)

REV 2 A3