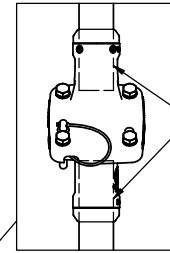
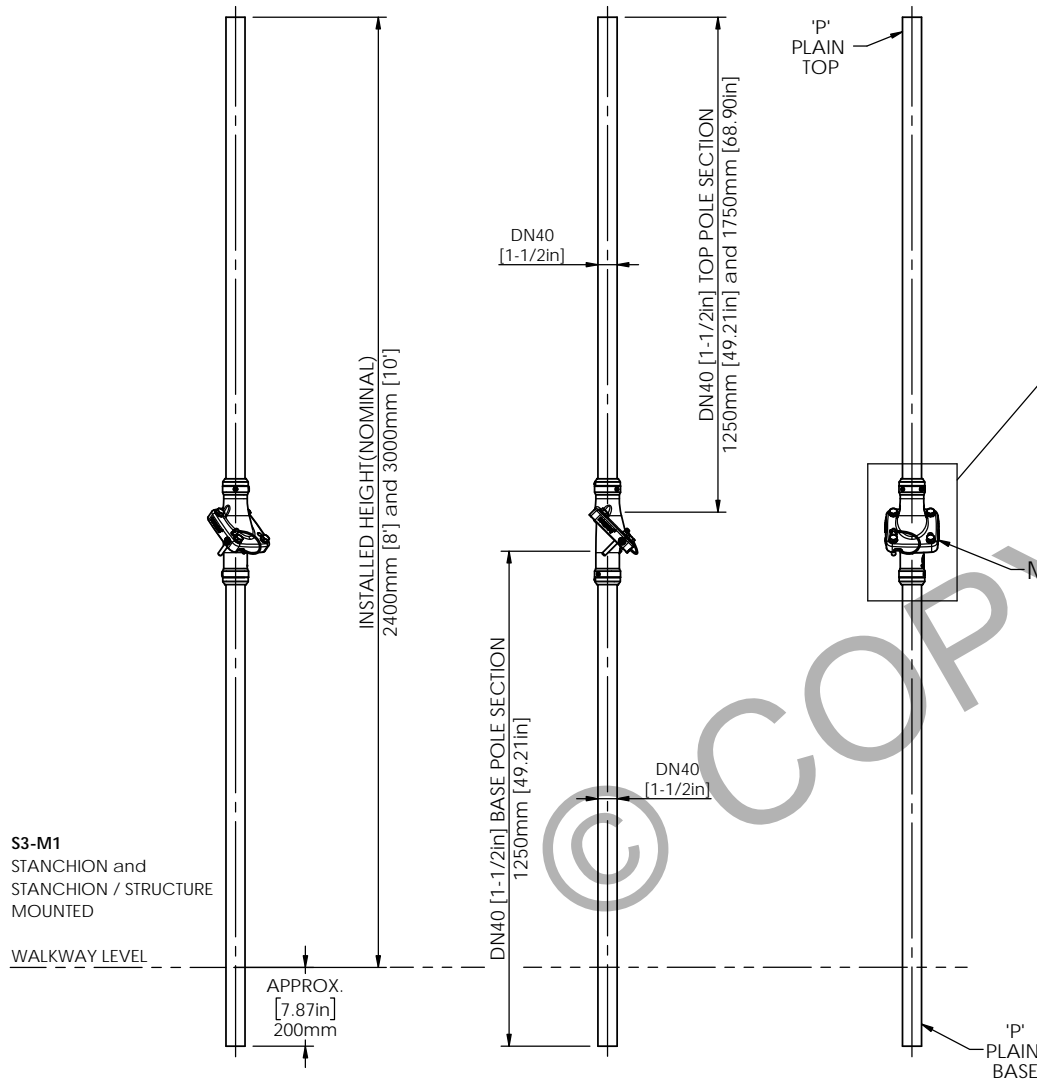


# STRUCTURALLY CERTIFIED

ITEM No.	QTY.	DESCRIPTION	MATERIAL OPTIONS
1	1	TOP POLE SECTION - PLAIN	STEEL / HOT-DIP GALVANISED ALUMINIUM
2	1	Maxis™ M1 JOINT	STEEL / ZINC ALUMINIUM COATING
3	1	BASE POLE SECTION - PLAIN	STEEL / HOT-DIP GALVANISED ALUMINIUM

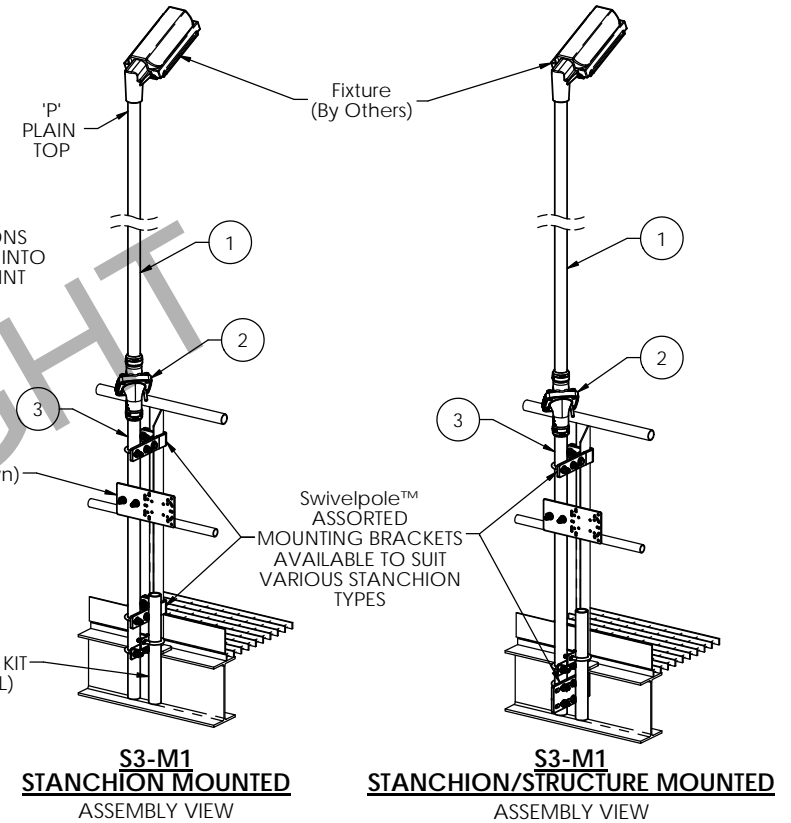


PIPE SECTIONS ARE INSERTED INTO Maxis™ JOINT

Swivelpole™ - Option: JUNCTION BOX KIT (P/No. JBPk1208-40-Z Shown) - SAME BOTH DETAILS -

Maxis™ Part No: R1-M1-40-Z

Swivelpole™ - Option: CABLE MANAGEMENT BRACKET KIT (P/No. MBK-40-CM-01-Z-(HG-AL) - SAME BOTH DETAILS -



**S3-M1 STANCHION MOUNTED ASSEMBLY VIEW**

**S3-M1 STANCHION/STRUCTURE MOUNTED ASSEMBLY VIEW**

### Ordering Information: ALUMINIUM

INSTALLED HEIGHT	PRODUCT CODE	WEIGHT
2400mm [8']	S3-M1-2400-P-003-AL	8.6 kg (18.9 lb)
3000mm [10']	S3-M1-3000-P-003-AL	9.4 kg (20.7 lb)

### Ordering Information: HOT-DIP GALVANISED

INSTALLED HEIGHT	PRODUCT CODE	WEIGHT
2400mm [8']	S3-M1-2400-P-003-HG	13.3 kg (29.3 lb)
3000mm [10']	S3-M1-3000-P-003-HG	15.0 kg (33.0 lb)

S3-M1 STANCHION and STANCHION / STRUCTURE MOUNTED

WALKWAY LEVEL

APPROX. [7.87in] 200mm

IEC



Scan Code with QR Reader app for more Swivelpole™ Solutions

**maxis**  
PATENTED PRODUCTS

[www.maxisjoint.com](http://www.maxisjoint.com)

**PATENTED PRODUCTS**

[www.swivelpole.com](http://www.swivelpole.com)

**Swivelpole™**

This document is the property of and protected by copyright owned by Swivelpole Group Pty Ltd and or Exemplar Products Pty Ltd. The designs and other information embodied in this document comprise confidential information of Swivelpole Group Pty Ltd and or Exemplar Products Pty Ltd and form part of products covered by international patents and registered designs including US patent No 6957832 and US patent No 9945143. Unauthorised use, reproduction and disclosure are strictly prohibited. This document must not be removed from the premises of the licensed user of this document without Swivelpole Group Pty Ltd's and or Exemplar Products Pty Ltd's prior approval.

ALL DIMENSIONS ARE IN MILLIMETERS / INCHES		SERIES / CODE	PART NUMBER
		S	As Noted (RQ1578 - 25/02/20)
DRAWN BY	BP	DATE	03/05/19
CHECKED BY	KM	DATE	03/05/19
APPROVED BY	AI	DATE	03/05/19
THIRD ANGLE PROJECTION	⊕ - 1	SCALE	N.T.S.
TITLE			DRG No
Swivelpole™ S3 - Maxis™ M1 Base Section - PLAIN - Top Section - PLAIN General Assembly			C-IEC-S3-M1-4040-003-(HG-AL)
			REV 2 A3