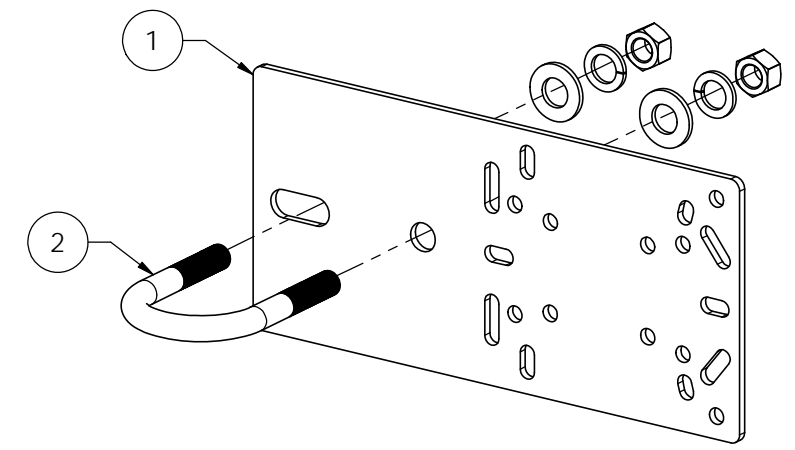
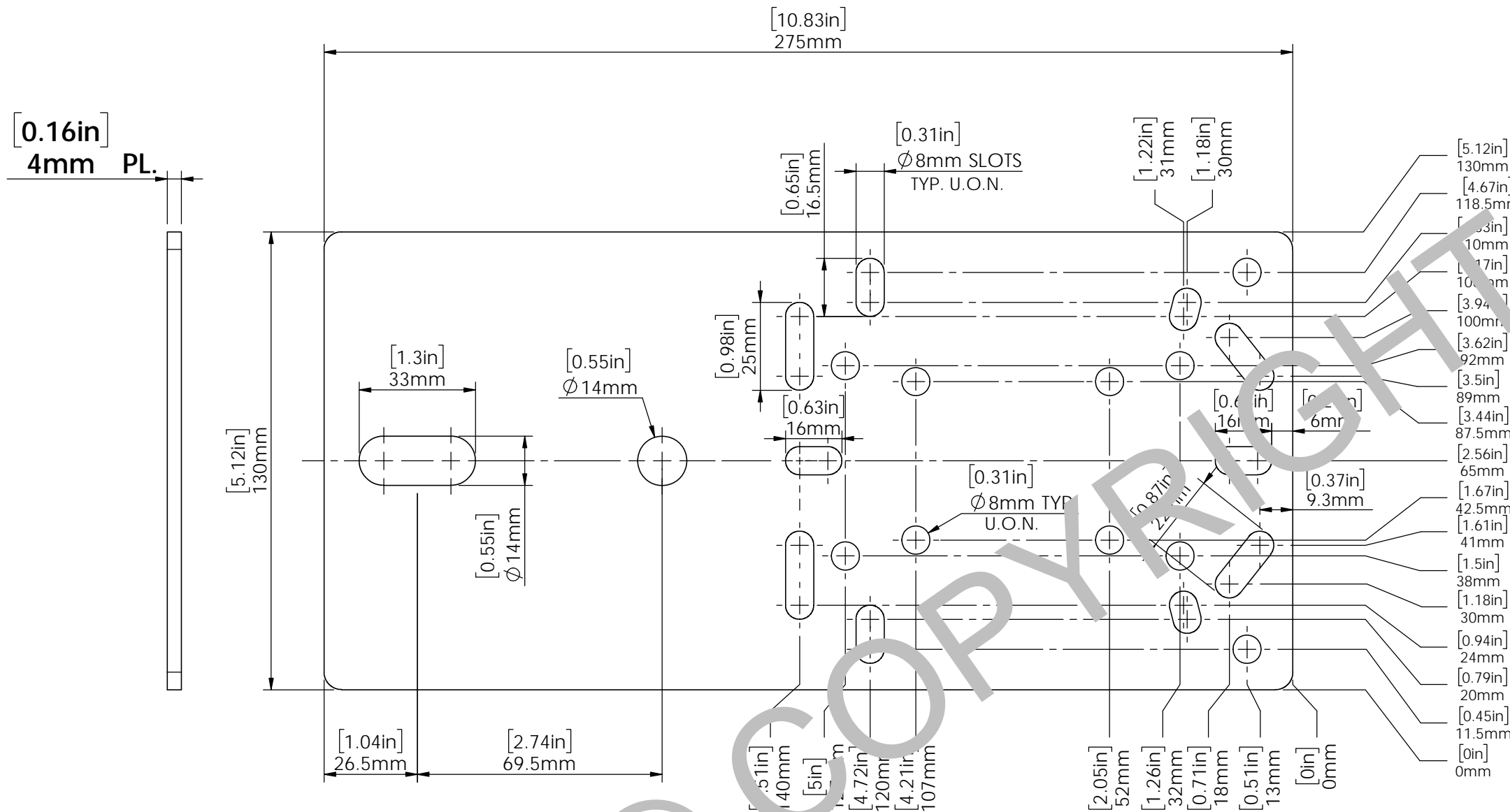


ITEM NO.	QTY.	DESCRIPTION	WEIGHT
1	1	Junction Box Plate	1.05 kg [2.3 lb]
2	1	DN40 [1-1/2in] U-Bolt Fastener Kit	0.25 kg [0.55 lb]

Recommended for use with the Swivelpole™ S3 M1



EXPLODED ISO VIEW

**PART NUMBER = JBPK1208-40\***

WEIGHT = 1.3 kg [2.86 lb]

SUPPLIED WITH DN40 [1-1/2in] U-BOLT & NUTS

**\*NOTE:**

**FINISH: SUPPLIED HOT-DIP GALVANISED AND / OR ZINC ALUMINIUM BOTH FINISHES ARE SUITABLE WITH ALUMINIUM AND HOT-DIP GALVANISED PIPE**



Scan Code with QR Reader app for more Swivelpole™ Solutions

**maxis**  
PATENTED PRODUCTS

[www.maxisjoint.com](http://www.maxisjoint.com)

**PATENTED PRODUCTS**

[www.swivelpole.com](http://www.swivelpole.com)

**Swivelpole™**

This document is the property of and protected by copyright owned by Swivelpole Group Pty Ltd and or Exemplar Products Pty Ltd. The designs and other information embodied in this document comprise confidential information of Swivelpole Group Pty Ltd and or Exemplar Products Pty Ltd and form part of products covered by international patents and registered designs including US patent No 6957832 and US patent No 9945143. Unauthorised use, reproduction and disclosure are strictly prohibited. This document must not be removed from the premises of the licensed user of this document without Swivelpole Group Pty Ltd's and or Exemplar Products Pty Ltd's prior approval.

ALL DIMENSIONS ARE IN MILLIMETERS / INCHES		SERIES / CODE	PART NUMBER
		JBPK	JBPK1208-40*
DRAWN BY	BP	DATE	24/03/20
CHECKED BY	KM	DATE	24/03/20
APPROVED BY	AI	DATE	24/03/20
THIRD ANGLE PROJECTION		SCALE	N.T.S.
TITLE			Swivelpole™
TITLE			Junction Box Plate Kit suits DN40 [1-1/2in] Pole
TITLE			Client - Detail
DRG No			C-JBPK1208-40
REV			0
A3			