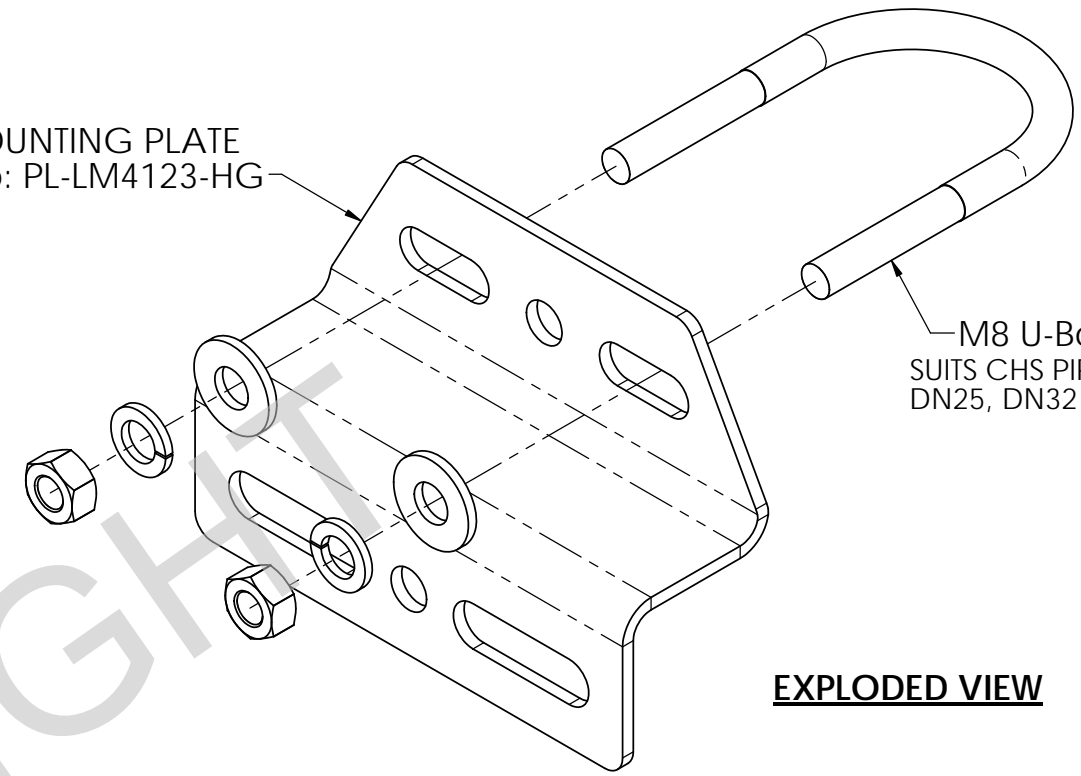
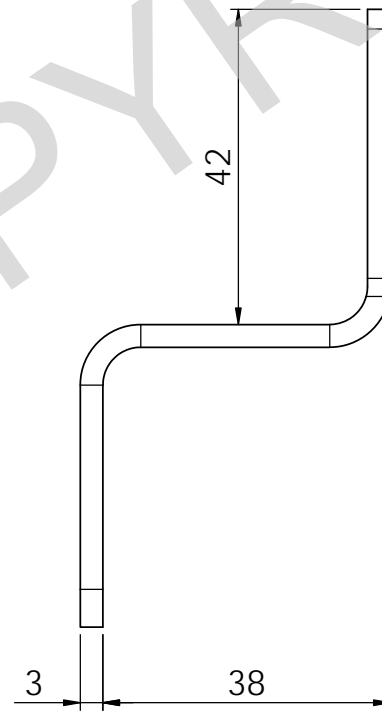
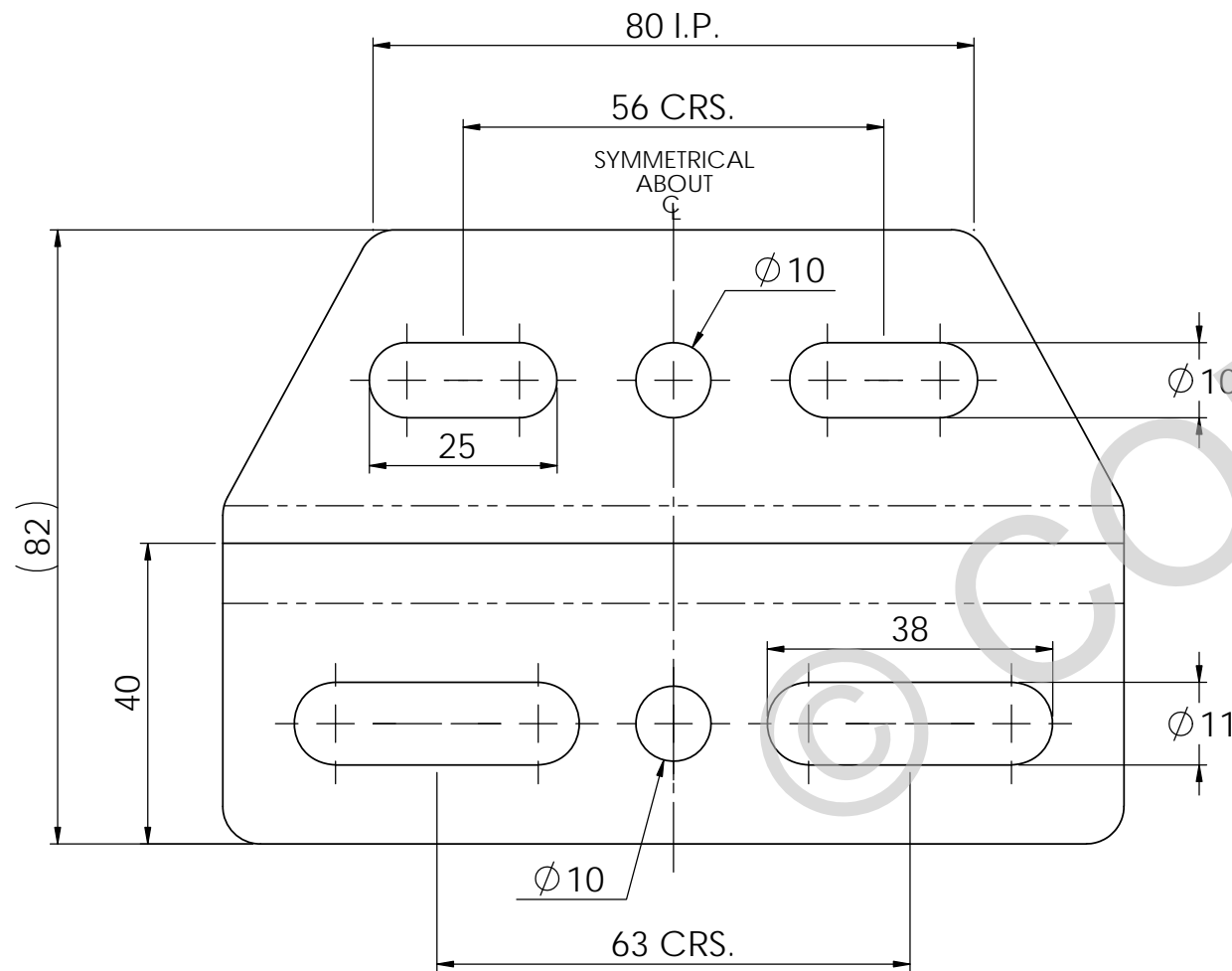


MOUNTING PLATE
P/No: PL-LM4123-HG

M8 U-Bolt Kit
SUITS CHS PIPE SIZES:
DN25, DN32 & DN40



EXPLODED VIEW



| Supplied LMK Kit Part Number | |
|------------------------------|-----------------|
| LMK4123-25-HG | M8 x DN25 Ubolt |
| LMK4123-32-HG | M8 x DN32 Ubolt |
| LMK4123-40-HG | M8 x DN40 Ubolt |

PART NUMBERS AS SHOWN

WEIGHT : 0.3 kg (Plate Only)
MATERIAL : Steel - GALV. Finish

(Can be supplied with either DN25, DN32 or DN40 U-Bolts for CHS Light Mount)

NOTE: WHEN USING WITH FLUORO LUMINAIRE - 2x LMK4123 KITS ARE REQUIRED

Swivelpole™

This document is the property of and protected by copyright owned by Safe Swivel Technology Pty Ltd (SST). The designs and other information embodied in this document comprise confidential information of SST and form part of products covered by international patents and registered designs including US patent No 6957832. Unauthorised use, reproduction and disclosure are strictly prohibited. This document must not be removed from the premises of the licensed user of this document without SST's prior approval.

| ALL DIMENSIONS ARE IN MILLIMETERS | PROJECT | SERIES / CODE | PART NUMBER |
|-----------------------------------|------------|---------------|---------------------|
| | SWIVELPOLE | LMK | As Shown |
| DRAWN BY | KM | DATE | 4/8/15 |
| CHECKED BY | BP | DATE | 4/8/15 |
| APPROVED BY | RP | DATE | 4/8/15 |
| THIRD ANGLE PROJECTION | SCALE | | DRG No |
| | 1:1 | | C-AU-LMK4123-CHS-HG |
| | | REV | A3 |
| | | 0 | |