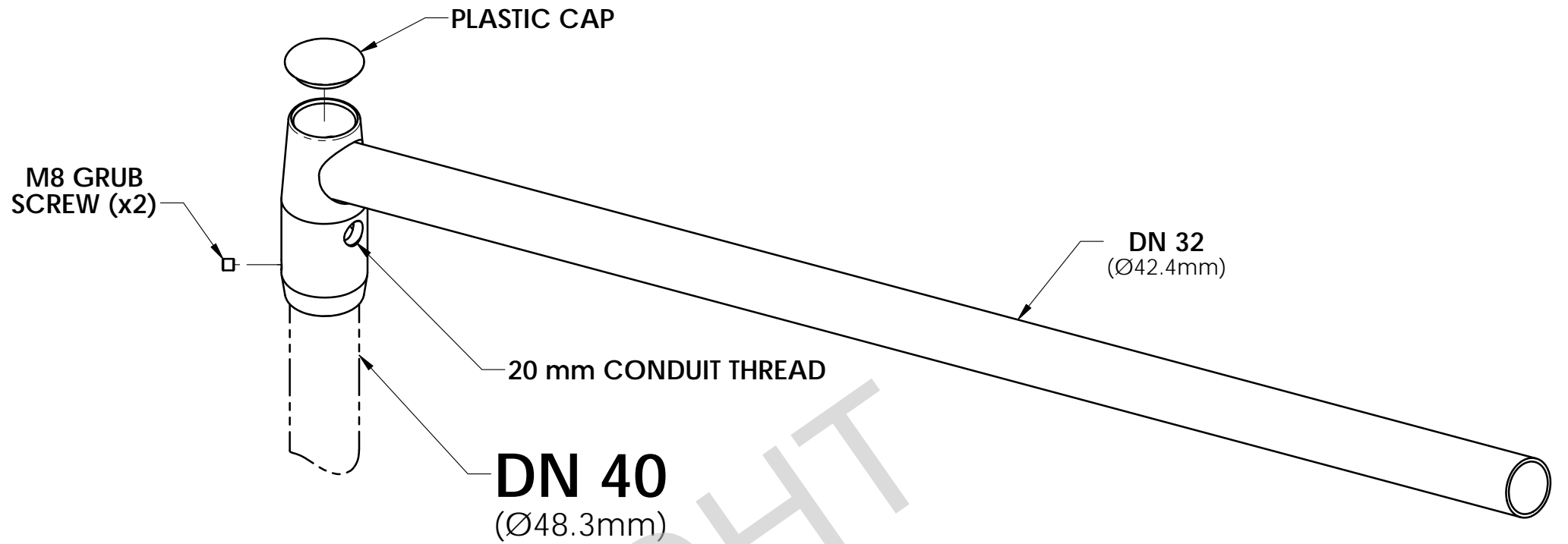
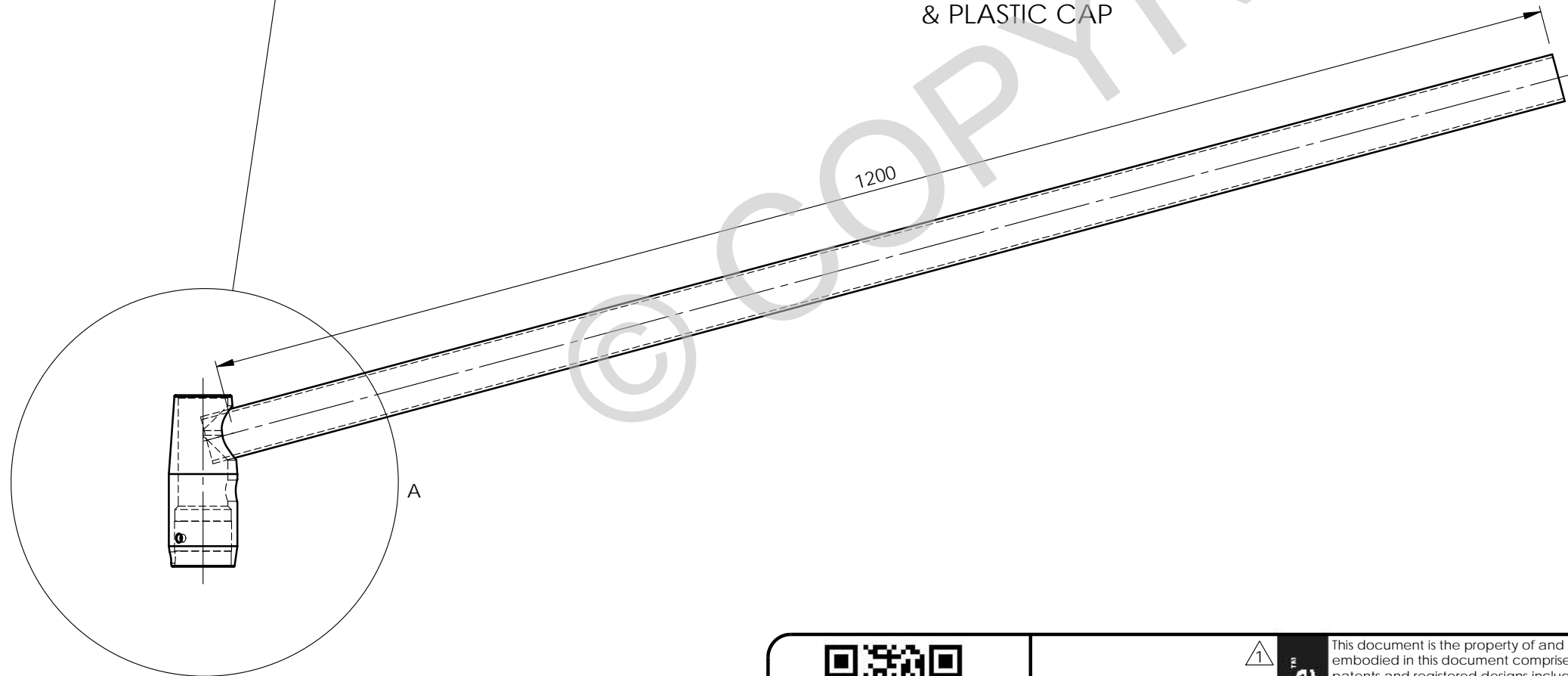


DETAIL A
SCALE 1 : 4



PART No = LMK2301-40-HG
 WEIGHT = 4.1 kg
 FINISH = HOT DIPPED GALVANISED
 SUPPLIED WITH 2 x M8 GRUB SCREWS
 & PLASTIC CAP



Scan Code with
QR Reader app for more
Swivelpole™ Light Mount
Product Information

PATENTED
PRODUCTS

www.swivelpole.com

Swivelpole™

This document is the property of and protected by copyright owned by Swivelpole Group Pty Ltd. The designs and other information embodied in this document comprise confidential information of Swivelpole Group Pty Ltd and form part of products covered by international patents and registered designs including US patent No 6957832. Unauthorised use, reproduction and disclosure are strictly prohibited. This document must not be removed from the premises of the licensed user of this document without Swivelpole Group Pty Ltd's prior approval.

ALL DIMENSIONS ARE IN MILLIMETERS	PROJECT	SERIES / CODE	PART NUMBER
	SWIVELPOLE™	LM	LMK2301-40-HG (RQ1354)
DRAWN BY	AD	DATE	15-06-10
CHECKED BY	FB	DATE	15-06-10
APPROVED BY	PP	DATE	15-06-10
THIRD ANGLE PROJECTION	SCALE		DRG No
	1:7.5		C-AU-LMK2301-40-HG
			REV 1 A3

TITLE
DN40 [Ø48.3mm] Luminaire Mount
4ft Fluorescent (clamp-on)
 Client detail