

ACCESS MADE EASY.

Swivelpole™

LOWERING POLE SOLUTIONS

CATALOG 2023/24

NEC

STANDARD PRODUCT RANGE

2 DECADES OF
INNOVATION



\$ MILLIONS
SAVED

Trusted by
ASX & Fortune
500 Companies

CERTIFIED



IMAGE COURTESY OF WOODSIDE

Maxis™ is the next generation lowering pole solution for safely accessing light fixtures and equipment.

SWIVELPOLE.COM

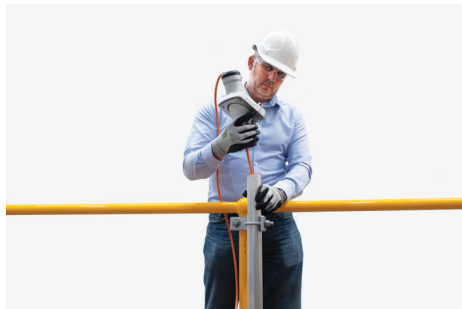
PROBLEM



SOLUTION



Upgrade to LED without using a ladder



**SOLUTIONS FOR INCORPORATING INTO
NEW BUILD AND CONVERTING EXISTING
RIGID POLES TO LOWERING POLES**

Solutions for all applications

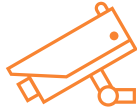
INDUSTRIAL COMMERCIAL DOMESTIC

Swivelpole™

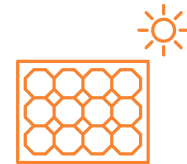
Safely access any fixtures
in seconds for fast and
affordable inspection,
maintenance and upgrades



Lighting



CCTV



Solar Panels



Sirens & Alarms



Networking



Instruments & more

SAVE MILLIONS

Do your sums - multiply your cost of access without a Swivelpole™ times the amount of poles you have

DID YOU KNOW?

It's cheaper to install a Swivelpole than build a scaffold



SCAFFOLD



E.W.P.



LADDER

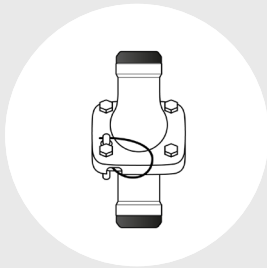


CONTENTS

Swivelpole™ Product Range

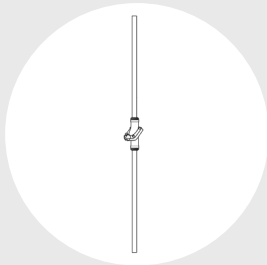
Greenfields (New Build)

Model Index 5



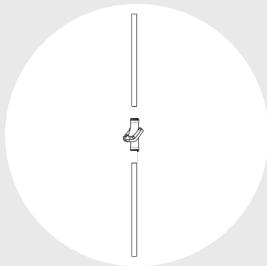
Brownfields (Existing)

Model Index 6



GREENFIELDS (NEW BUILD)

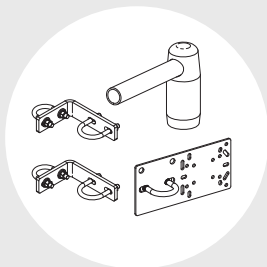
Industrial & Commercial 7



BROWNFIELDS (EXISTING)

Maxis™ joint 18

Pole Conversion Tool Kit 22



ACCESSORIES

Mounting Brackets 23

Luminaire & Equipment Mounts 25

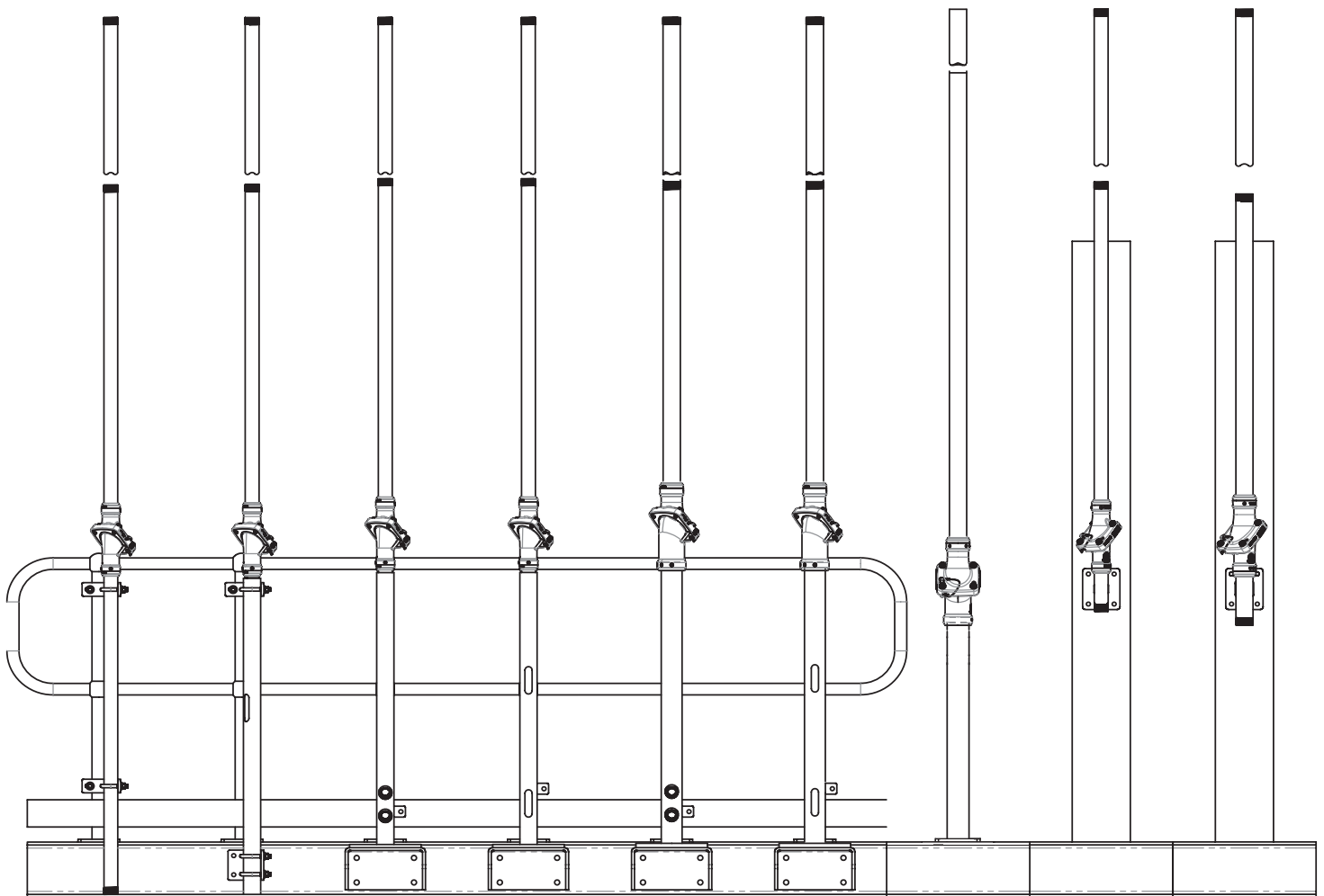
Junction Box Plates 26

Appendix: Technical 27

Swivelpole™ incorporating Maxis™ Standard Product Range

Model Index

Greenfields



S3-M1

S2-M1

ST4-M1
(NEC)

ST4-M1
(IEC)

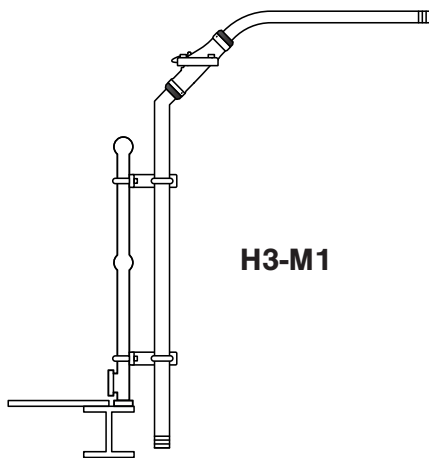
ST7-M2
(NEC)

ST7-M2
(IEC)

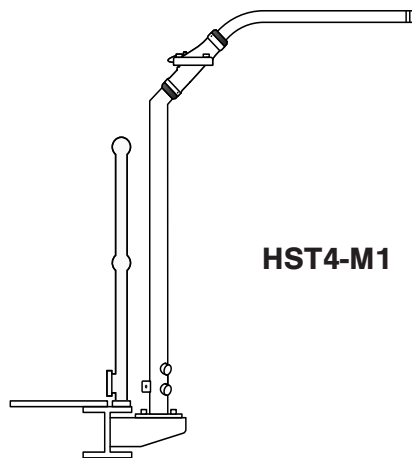
F7-M2

C1-M1

C2-M2



H3-M1



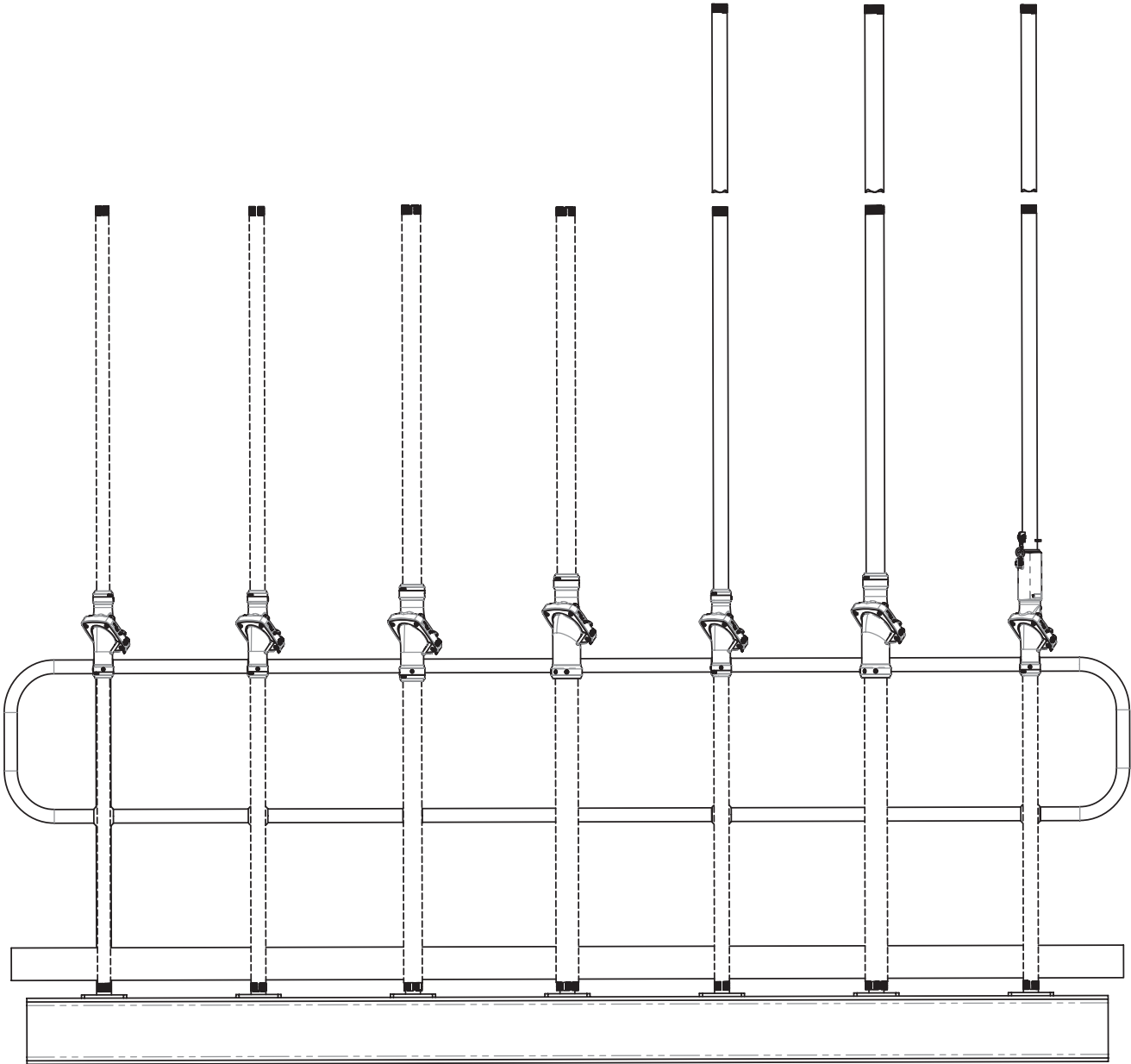
HST4-M1

Swivelpole™ Product Range

Brownfields (Existing)

Model Index

Brownfields



R1-M1-32 R1-M1-40 R1-M2-50 R1-M2-5076 R2-M1 R2-M2 R2-M1-HVPT

Swivelpole™ S3 M1

Stanchion Mounted or Stanchion & Structure Mounted

Greenfields

8ft - 10ft

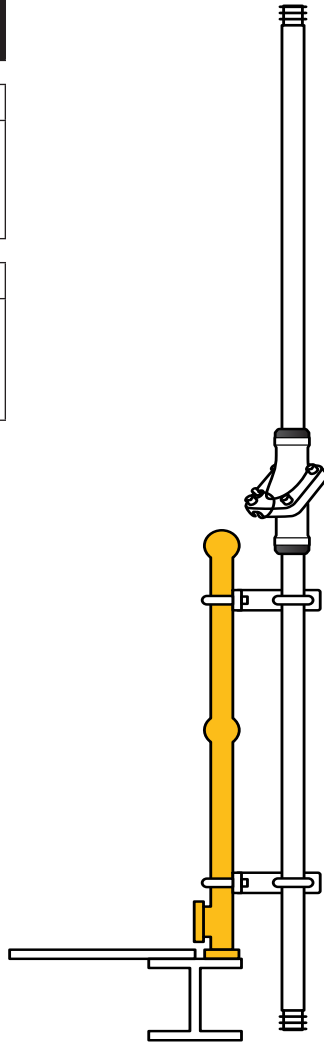
S3 M1

Top

NPS 1½
DN 40
Threaded

Base

NPS 1½
DN 40
Threaded



Designed for installation in accordance with NEC standards

Applications

Ideal for lighting on walkways, platforms, stairways, spiral stairways, roof tops, conveyors.

Structurally Certified Aluminum Pole

Light weight - reduced stress on stanchion, corrosion free, cost effective, suitable for all wind regions.

Accessories

For optional accessories, see page 23.



Scan code for more information on Swivelpole™ S3 M1.

ORDERING INFORMATION

Swivelpole™ S3 M1

Installed height	Weight (lb)	Pole top/base finish	Product code
8'	19.8	AL	S3-M1-2400-T-AL
10'	22.0	AL	S3-M1-3000-T-AL
8'	31.7	HG	S3-M1-2400-T-HG
10'	36.1	HG	S3-M1-3000-T-HG
8'	33.0	SS	S3-M1-2400-T-SS
10'	37.7	SS	S3-M1-3000-T-SS

HG - Hot-dip Galvanized AL - Aluminum SS - Stainless Steel All dimensions are nominal, in imperial sizes

Swivelpole™ S2 M1

Stanchion Mounted or Stanchion & Structure Mounted

Greenfields

8ft - 10ft

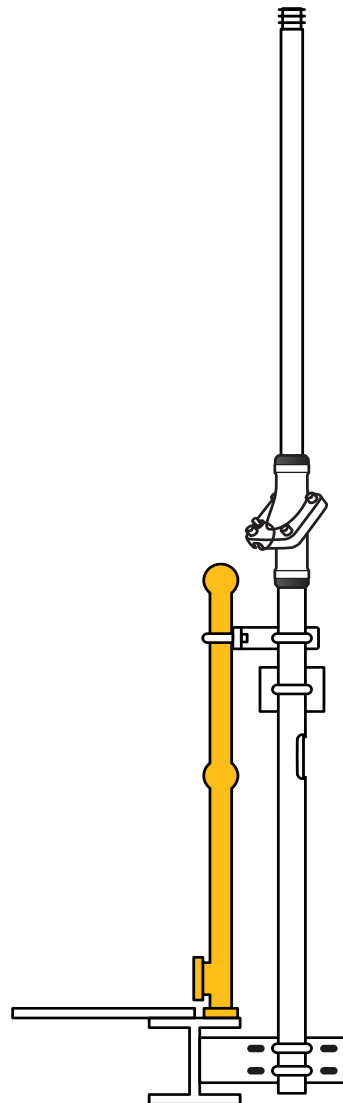
S2 M1

Top

NPS 1½
DN 40
Threaded

Base

NPT 2
DN 50
Slotted



Designed for installation in
accordance with IEC standards

Applications

Ideal for lighting on walkways, platforms,
stairways, spiral stairways, conveyors.

Accessories

For optional accessories, see page 24.



Scan code for more information
on Swivelpole™ S2 M1.

ORDERING INFORMATION

Swivelpole™ S2 M1

Installed height	Weight (lb)	Pole top/base finish	Product code
8'	35.9	HG	S2-M1-2400-T-HG
10'	40.3	HG	S2-M1-3000-T-HG
8'	37.0	SS	S2-M1-2400-T-SS
10'	41.6	SS	S2-M1-3000-T-SS

HG - Hot-dip Galvanized SS -Stainless Steel All dimensions are nominal, in imperial sizes

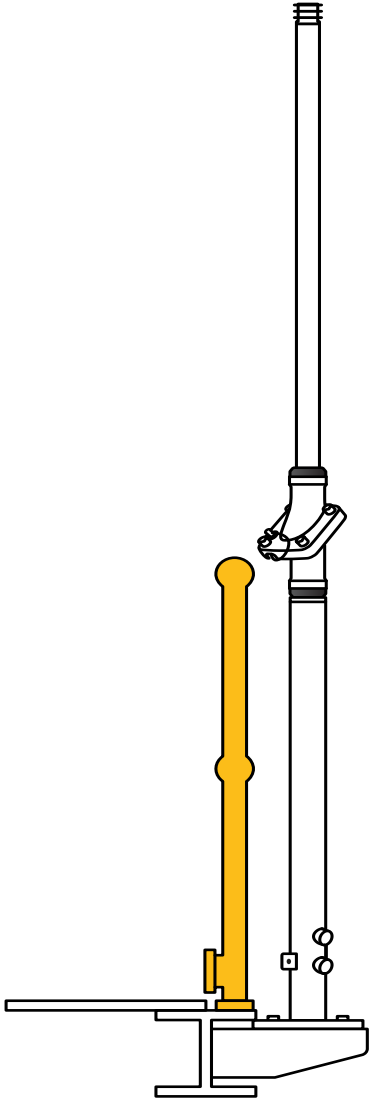
Swivelpole™ ST4 M1 Structure Mounted

Greenfields
8ft - 10ft

ST4 M1
NEC

Top
NPS 1½
DN 40
Threaded

Base
NPS 2
DN 50
Conduit
entries



Designed for installation in accordance with NEC standards

Applications

Ideal for lighting on walkways, platforms, stairways, cooling tower.

Accessories

For optional accessories, see page 25.



Scan code for more information on Swivelpole™ ST4 M1.

The Swivelpole™ ST4 M1 replaces the Swivelpole™ ST6 M1 and F1 M1 swivelpole.com/maxis

ORDERING INFORMATION

Swivelpole™ ST4 M1

Installed height	Weight (lb)	Pole top/base finish	Product code
8'	48.4	HG	ST4-M1-2400-T-NCT-HG
10'	52.8	HG	ST4-M1-3000-T-NCT-HG
8'	50.2	SS	ST4-M1-2400-T-NCT-SS
10'	54.8	SS	ST4-M1-3000-T-NCT-SS

HG - Hot-dip Galvanized SS - Stainless Steel All dimensions are nominal, in imperial sizes

Swivelpole™ ST4 M1 Structure Mounted

Greenfields

8ft - 10ft

ST4 M1

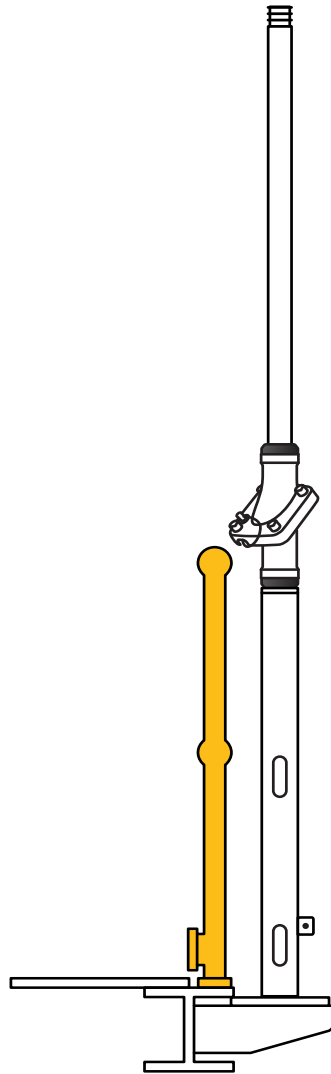
IEC

Top

NPS 1½
DN 40
Threaded

Base

NPS 2
DN 50
Slotted



Designed for installation in
accordance with IEC standards

Applications

Ideal for lighting on walkways, platforms,
stairways, cooling tower.

Accessories

For optional accessories, see page 25.



Scan code for more information
on Swivelpole™ ST4 M1.

The Swivelpole™ ST4 M1 replaces
the Swivelpole™ ST6 M1 and F1 M1
swivelpole.com/maxis

ORDERING INFORMATION

Swivelpole™ ST4 M1

Installed height	Weight (lb)	Pole top/base finish	Product code
8'	48.4	HG	ST4-M1-2400-T-HG
10'	52.8	HG	ST4-M1-3000-T-HG
8'	50.2	SS	ST4-M1-2400-T-SS
10'	54.8	SS	ST4-M1-3000-T-SS

HG - Hot-dip Galvanized SS - Stainless Steel All dimensions are nominal, in imperial sizes

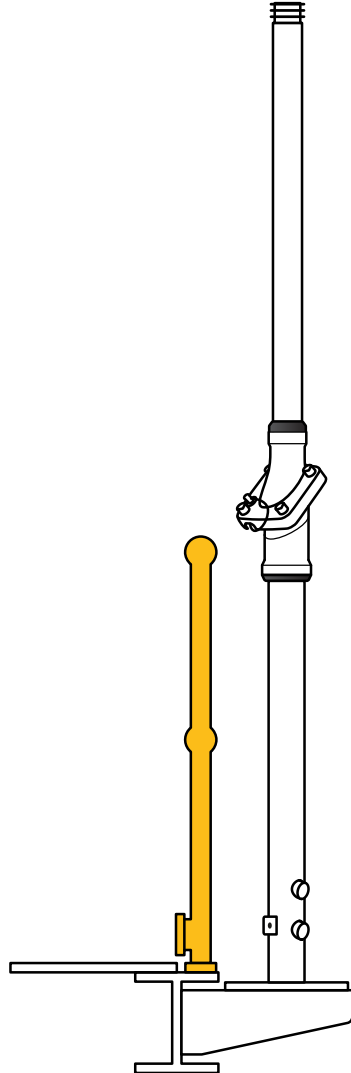
Swivelpole™ ST7 M2 Structure Mounted

Greenfields
8ft - 10ft

ST7 M2
NEC

Top
NPS 2
DN 50
Threaded

Base
NPS 2½
DN 65
Conduit
entries



Designed for installation in accordance with NEC standards

Applications

Ideal for lighting on walkways, platforms, stairways, cooling towers.

Accessories

For optional accessories, see page 25.



Scan code for more information on Swivelpole™ ST7 M2.

ORDERING INFORMATION

Swivelpole™ ST7 M2

Installed height	Weight (lb)	Pole top/base finish	Product code
8'	34.8	AL	ST7-M2-2400-T-NCT-AL
10'	37.6	AL	ST7-M2-3000-T-NCT-AL
8'	69.5	HG	ST7-M2-2400-T-NCT-HG
10'	76.1	HG	ST7-M2-3000-T-NCT-HG
8'	73.0	SS	ST7-M2-2400-T-NCT-SS
10'	80.3	SS	ST7-M2-3000-T-NCT-SS

HG - Hot-dip Galvanized AL - Aluminum SS - Stainless Steel All dimensions are nominal, in imperial sizes

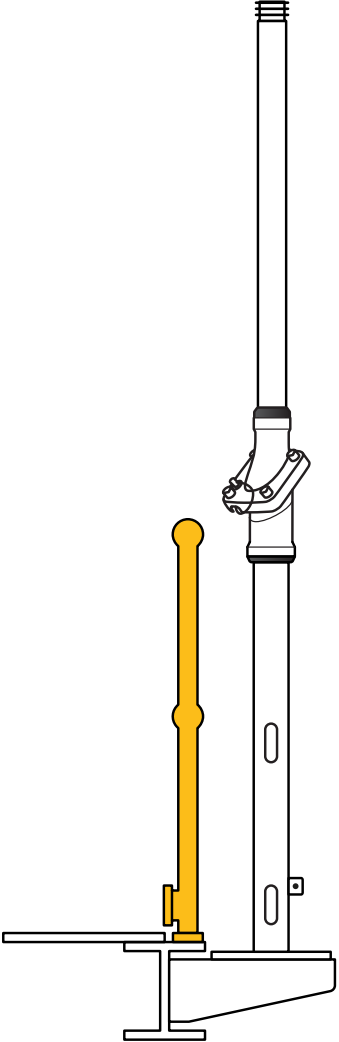
Swivelpole™ ST7 M2 Structure Mounted

Greenfields
8ft - 10ft

ST7 M2
IEC

Top
NPS 2
DN 50
Threaded

Base
NPS 2
DN 65
Slotted



Designed for installation in accordance with IEC standards

Applications

Ideal for lighting on walkways, platforms, stairways, cooling towers.

Accessories

For optional accessories, see page 25.



Scan code for more information on Swivelpole™ ST7 M2.

ORDERING INFORMATION

Swivelpole™ ST7 M2

Installed height	Weight (lb)	Pole top/base finish	Product code
8'	34.8	AL	ST7-M2-2400-T-AL
10'	37.6	AL	ST7-M2-3000-T-AL
8'	69.5	HG	ST7-M2-2400-T-HG
10'	76.1	HG	ST7-M2-3000-T-HG
8'	72.2	SS	ST7-M2-2400-T-SS
10'	79.4	SS	ST7-M2-3000-T-SS

HG - Hot-dip Galvanized AL - Aluminum SS - Stainless Steel All dimensions are nominal, in imperial sizes

Swivelpole™ C1 M1

Column/Wall Mounted

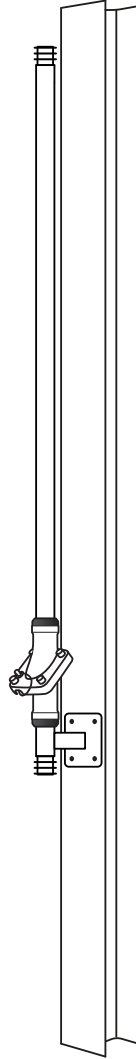
Greenfields

8ft - 10ft

C1 M1

Top

NPS 1½
DN 40
Threaded



Designed for installation in accordance with NEC standards

Applications

Ideal for internal structure lighting, area lighting and sub-station walls

Accessories

For optional accessories, see page 25.



Scan code for more information on Swivelpole™ C1 M1.

ORDERING INFORMATION

Swivelpole™ C1 M1

Installed height	Weight (lb)	Pole top/base finish	Product code
8'	27.9	HG	C1-M1-2400-T-HG
10'	32.3	HG	C1-M1-3000-T-HG
8'	22.0	AL	C1-M1-2400-T-HG-AL
10'	24.2	AL	C1-M1-3000-T-HG-AL
8'	29.9	SS	C1-M1-2400-T-SS
10'	34.5	SS	C1-M1-3000-T-SS

HG - Hot-dip Galvanized AL - Aluminum SS - Stainless Steel All dimensions are nominal, in imperial sizes

Swivelpole™ C2 M2

Column/Wall Mounted

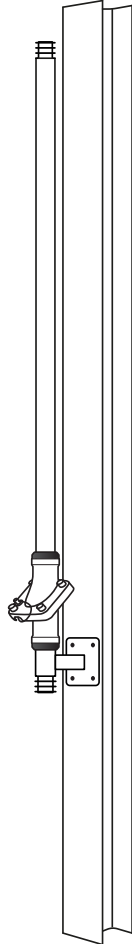
Greenfields

8ft - 13ft

C2 M2

Top

NPS 2
DN 50
Threaded



Designed for installation in accordance with NEC standards

Applications

Ideal for internal structure lighting, area lighting and sub-station walls

Important information

2 person operation is required for poles over 10ft.

Accessories

For optional accessories, see page 25.



Scan code for more information on Swivelpole™ C2 M2.

ORDERING INFORMATION

Swivelpole™ C2 M2

Installed height	Weight (lb)	Pole top/base finish	Product code
8'	29.7	HG	C2-M2-2400-T-HG
10'	32.6	HG	C2-M2-3000-T-HG
13'	37.2	HG	C2-M2-4000-T-HG
8'	17.4	AL	C2-M2-2400-T-HG-AL
10'	20.6	AL	C2-M2-3000-T-HG-AL
13'	26.0	AL	C2-M2-4000-T-HG-AL
8'	40.5	SS	C2-M2-2400-T-SS
10'	47.7	SS	C2-M2-3000-T-SS
13'	60.1	SS	C2-M2-4000-T-SS

HG - Hot-dip Galvanized AL - Aluminum SS-Stainless Steel All dimensions are nominal, in imperial sizes

Swivelpole™ F7 M2

Ground Mounted

Greenfields
10ft - 20ft

F7 M2

Top
NPS 2
DN 50
Plain

Base
NPS 2½
DN 65
Access
Panel



Versatile lowering pole solution for light-weight fixtures and equipment

Applications

Ideal for accommodation camps and villages, parks, pathways, car parks, tennis courts, railway platforms, amenity and avenue lighting.

Important information

2 person operation is required for poles over 10ft.

Accessories

For optional accessories, see page 25.



Scan code for more information on Swivelpole™ F7 M2.

ORDERING INFORMATION

Swivelpole™ F7 M2

Installed height	Weight (lb)	Pole top/base finish	Product code
10'	53.7	HG	F7-M2-3000-P-HG
13'	62.7	HG	F7-M2-4000-P-HG

HG - Hot-dip Galvanized All dimensions are nominal, in imperial sizes

Swivelpole™ HVPT Series

8ft - 10ft

Withstand extreme vibration with a High Vibration Pole Top

S3 M1 HVPT

Top
NPS 1½
DN 40
Threaded

Base
NPS 1½
DN 40
Threaded

S2 M1 HVPT

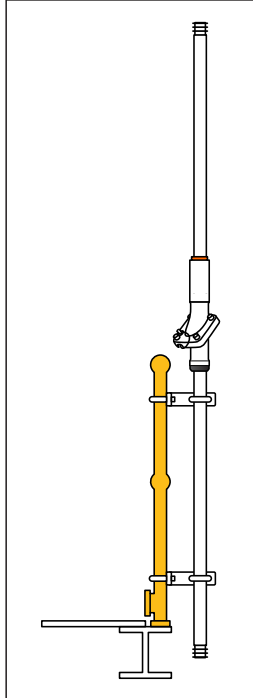
Top
NPS 1½
DN 40
Threaded

Base
NPS 2
DN 50
Slotted

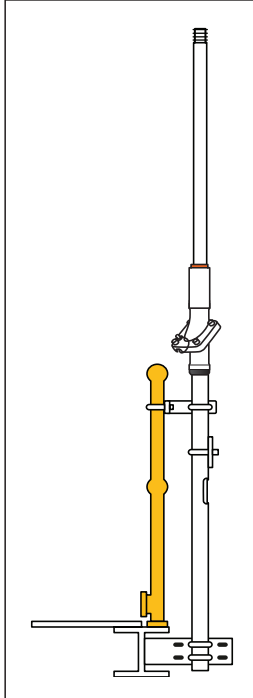
ST4 M1 HVPT

Top
NPS 1½
DN 40
Threaded

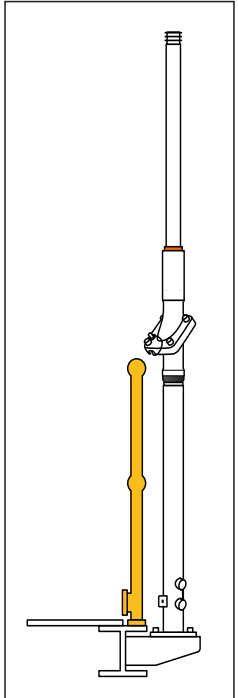
Base
NPS 2
DN 50
Conduit
Entries



S3 M1 Stanchion & Structure



S2 M1 Stanchion & Structure



ST4 M1 Structure
*IEC Model available

Accessories

For optional accessories, see page 25.



Scan code for more information on Swivelpole™ HVPT Series.

ORDERING INFORMATION

Swivelpole™ HVPT Series

Installed height	Weight (lb)	Pole top/base finish	Product code
8'	31.3	HG	S3-M1-HVPT-2400-T-HG
10'	35.9	HG	S3-M1-HVPT-3000-T-HG
8'	36.1	HG	S2-M1-HVPT-2400-T-HG
10'	40.7	HG	S2-M1-HVPT-3000-T-HG
8'	49.5	HG	ST4-M1-HVPT-2400-T-NCT-HG
10'	54.1	HG	ST4-M1-HVPT-3000-T-NCT-HG

HG - Hot-dip Galvanized All dimensions are nominal, in imperial sizes

Swivelpole™ H Series

Horizontal Outreach

H3 M1

Top
NPS 1½
DN 40
Threaded

Base
NPS 1½
DN 40
Threaded

HST4 M1

Top
NPS 1½
DN 40
Threaded

Base
NPS 2
DN 40
Conduit
Entries

Designed for installation in accordance with NEC standards

Applications

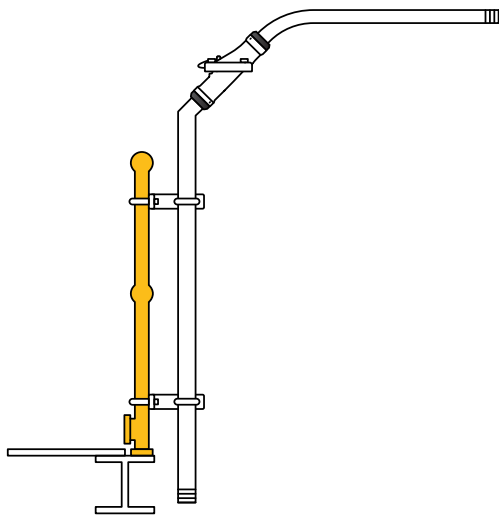
Ideal for lighting outside guardrails and below walkways.

Accessories

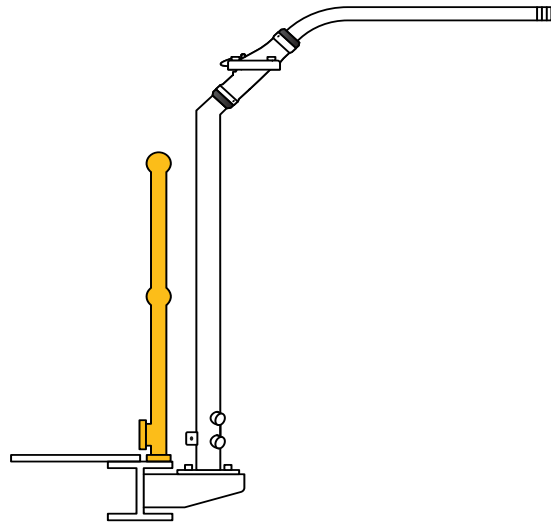
For optional accessories, see page 25.



Scan code for more information on Swivelpole™ H-Series.



H3 M1 Stanchion & Structure



HST4 M1 Structure

*IEC Model available

ORDERING INFORMATION

Swivelpole™ H Series

Installed height	Weight (lb)	Pole top/base finish	Product code
5'	33.4	HG	H3-M1-1500-10-T-HG
5'	48.4	HG	HST4-M1-1500-10-T-NCT-HG

HG - Hot-dip Galvanized All dimensions are nominal, in imperial sizes

Swivelpole™ R1 M1 & R1 M2 Maxis™ joint

Brownfields

Greenfields

R1 M1

R1 M2

NPS 1¼
DN 32

NPS 2
DN 50

NPS 1½
DN 40

NPS 2½
DN 50/65

Brownfields

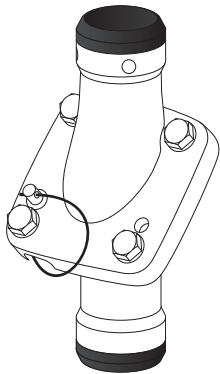
Convert rigid poles to lowering poles by installing a Maxis™ joint using the pole conversion tool kit, see page 22.

Greenfields

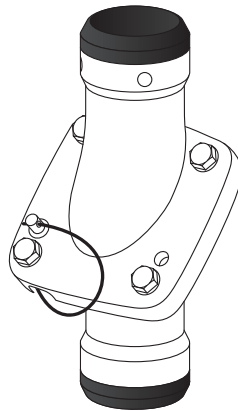
Build a lowering pole by incorporating a Maxis™ joint into your design/structure using your own pipe.



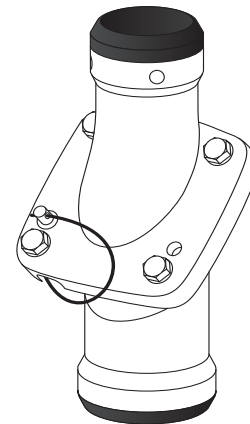
Scan code for more information on Swivelpole™ R1 M1 and R1 M2.



R1-M1-32 & R1-M1-40



R1-M2-50



R1-M2-5076

ORDERING INFORMATION

Swivelpole™ R1 M1 & R1 M2

Suits pole size (NPS)	Weight (lb)	Finish*	Maximum equipment Weight (lb)** by height				Product code
			8 ft	10 ft	13 ft	16 ft	
1¼	10.1	HG	44	33	-	-	R1-M1-32-HG
1½	9.7	HG	44	44	-	-	R1-M1-40-HG
2	13.4	HG	44	44	33	22	R1-M2-50-HG
2½	16.1	HG	44	44	33	22	R1-M2-5076-HG
1¼	10.3	SS	44	33	-	-	R1-M1-32-SS
1½	14.5	SS	44	44	-	-	R1-M1-40-SS
2	19.6	SS	44	44	33	22	R1-M2-50-SS
2½	19.6	SS	44	44	33	22	R1-M2-5076-SS

HG - Hot-dip Galvanized SS - Stainless Steel All dimensions are nominal, in imperial sizes

Swivelpole™ R2 M1

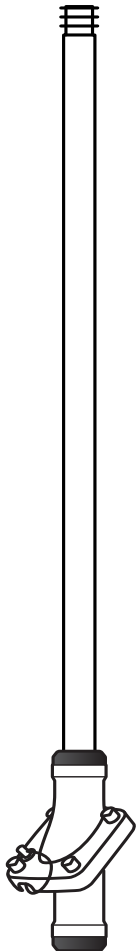
Maxis™ joint with pole top

Brownfields
8ft - 10ft

R2 M1

Top

NPS 1 1/2
DN 40
Threaded



Designed for installation in accordance with NEC standards

Brownfields

Convert rigid poles to lowering poles by installing a Maxis™ joint and renewing the pole top using the pole conversion tool kit, see page 22.

Accessories

For optional accessories, see page 25.



Scan code for more information on Swivelpole™ R2 M1.

ORDERING INFORMATION

Swivelpole™ R2 M1

Installed height	Weight (lb)	Pole top finish	Product code
8'	14.8	AL	R2-M1-40-2400-T-AL
10'	17.0	AL	R2-M1-40-3000-T-AL
8'	20.7	HG	R2-M1-40-2400-T-HG
10'	25.1	HG	R2-M1-40-3000-T-HG
8'	21.8	SS	R2-M1-40-2400-T-SS
10'	26.2	SS	R2-M1-40-3000-T-SS

HG - Hot-dip Galvanized AL - Aluminum SS - Stainless Steel All dimensions are nominal, in imperial sizes

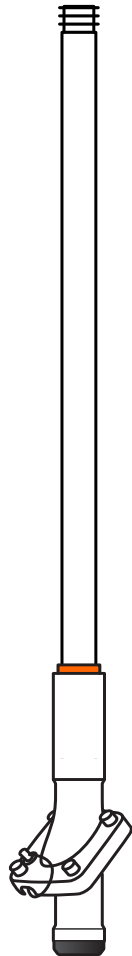
Swivelpole™ R2 M1 HVPT

Maxis™ joint with high vibration pole top

Brownfields
8ft - 10ft

**R2 M1
HVPT**

Top
**NPS 1½
DN 40**
Threaded



Designed for installation in accordance with NEC standards

Brownfields

Convert rigid poles to lowering poles by installing a Maxis™ joint and renewing the pole top using the pole conversion tool kit, see page 22.

Accessories

For optional accessories, see page 25.



Scan code for more information on Swivelpole™ R2 M1 HVPT.

ORDERING INFORMATION

Swivelpole™ R2 M1 HVPT

Installed height	Weight (lb)	Pole top finish	Product code
8'	21.6	HG	R2-M1-HVPT-40-2400-T-001-HG
10'	26.2	HG	R2-M1-HVPT-40-3000-T-001-HG

HG - Hot-dip Galvanized All dimensions are nominal, in imperial sizes

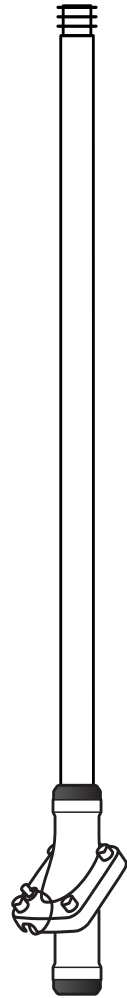
Swivelpole™ R2 M2

Maxis™ joint with pole top

Brownfields
8ft - 10ft

R2 M2

Top
NPS 2
DN 50
 Threaded



Designed for installation in accordance with NEC standards

Brownfields

Convert rigid poles to lowering poles by installing a Maxis™ joint and renewing the pole top using the pole conversion tool kit, see page 22.

Accessories

For optional accessories, see page 25.



Scan code for more information on Swivelpole™ R2 M2.

ORDERING INFORMATION

Swivelpole™ R2 M2

Installed height	Weight (lb)	Pole top finish	Product code
8'	21.8	AL	R2-M2-50-2400-T-AL
10'	25.8	AL	R2-M2-50-3000-T-AL
8'	28.0	HG	R2-M2-50-2400-T-HG
10'	35.0	HG	R2-M2-50-3000-T-HG
8'	29.3	SS	R2-M2-50-2400-T-SS
10'	35.9	SS	R2-M2-50-3000-T-SS

HG - Hot-dip Galvanized AL - Aluminum SS- Stainless Steel All dimensions are nominal, in imperial sizes

Swivelpole™ PCTK Pole Conversion Tool Kit

Brownfields

Convert rigid poles to lowering poles by installing a Maxis™ joint using the Pole Conversion Tool Kit.

Simple conversion process without impact to existing wiring or design intent. All work takes place at platform level, eliminating the risks of working at heights. There is no need for hot work permits.



ORDERING INFORMATION

Swivelpole™ PCTK



Suits Pole Sizes		Kit includes		Product code
NPS	OD			
1 1/4"	1.661"	Pole conversion tool	Spare blades	PCTK-01
1 1/2"	1.900"	Ratchet pipe cutter	Socket wrench	
2"	2.375"	Marking tool	Cutting Oil, Riggers bag	

All dimensions are nominal.

Swivelpole™ Accessories

Mounting Brackets

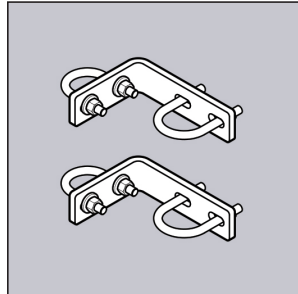
Kit Includes brackets and fasteners.

Suits Stanchion Mounted Models

S3 M1

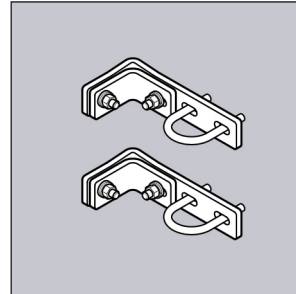
S3 M1 HVPT

H3 M1



MBK2-2-40

U-Bolt to stanchion



MBK6-6-40

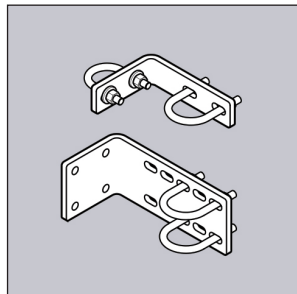
Clamp to stanchion

Suits Stanchion & Structure Mounted Models

S3 M1

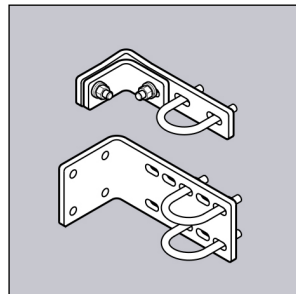
S3 M1 HVPT

H3 M1



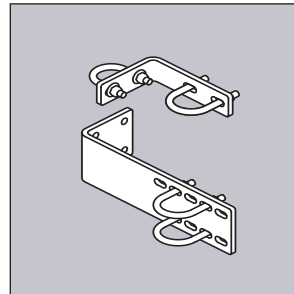
MBK2-5-40

U-Bolt to stanchion
& Bolt to structure



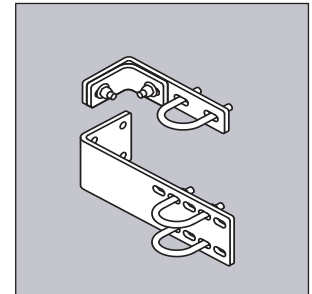
MBK6-5-40

Clamp to stanchion
& Bolt to structure



MBK2-5A-40

U-Bolt to stanchion &
Bolt to *offset* structure



MBK6-5A-40

Clamp to stanchion &
Bolt to *offset* structure

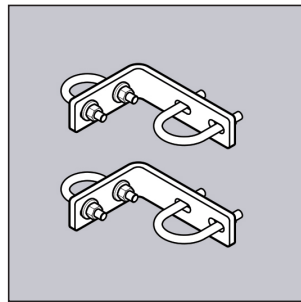


Mounting Brackets

Kit Includes brackets and fasteners.

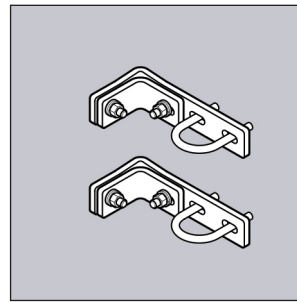
Suits **Stanchion Mounted Models**

S2 M1



MBK2-2-50

U-Bolt to stanchion

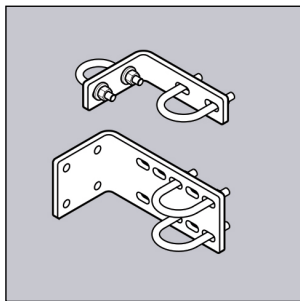


MBK6-6-50

Clamp to stanchion

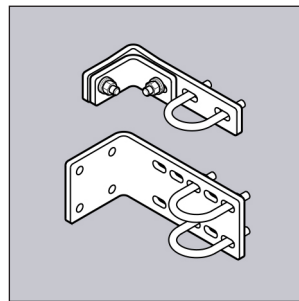
Suits **Stanchion & Structure Mounted Models**

S2 M1



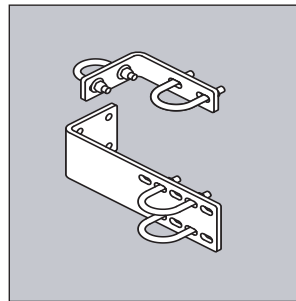
MBK2-5-40

U-Bolt to stanchion &
Bolt to structure



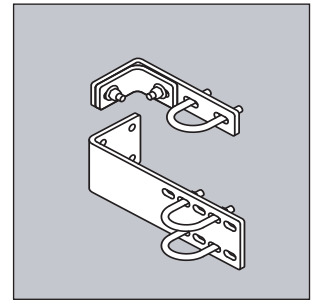
MBK6-5-50

Clamp to stanchion &
Bolt to structure



MBK2-5A-50

U-Bolt to stanchion &
Bolt to *offset* structure



MBK6-5A-50

Clamp to stanchion &
Bolt to *offset* structure



Mounting Brackets

Kit Includes brackets and fasteners.

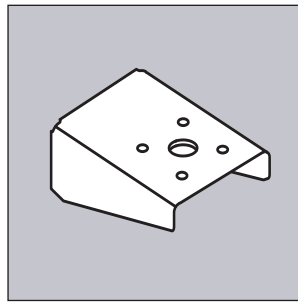
Suits **Structure Mounted Models**

ST4 M1

ST4 M1 HVPT

HST4 M1

ST7 M2



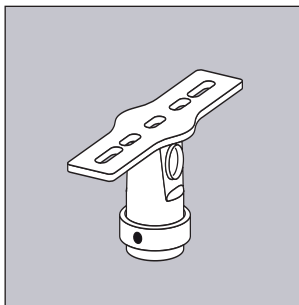
MBK9-002

Bolt to structure



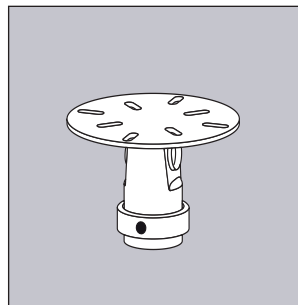
Luminaire Mounts

Suits NPS1 1/2 & 2 pole tops.



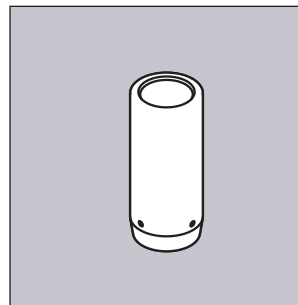
LMK5101

Bolt-On



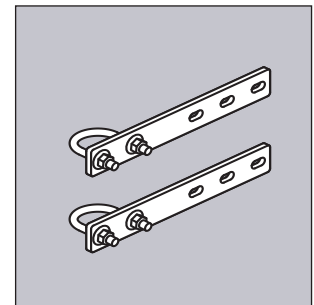
LMK6101

Bolt-On



LMK8401

Accessories



LMK8011

Accessories



Junction Box Plates

Designed for installations in accordance with IEC standards.

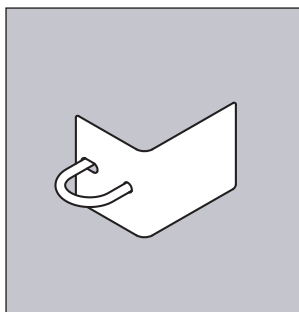
Suits Models

S2 M1

ST4 M1

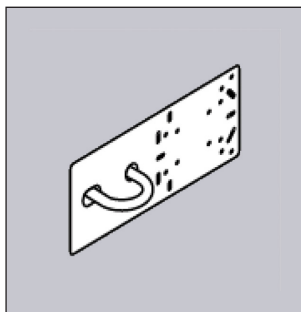
ST4 M1 HVPT

HST4 M1



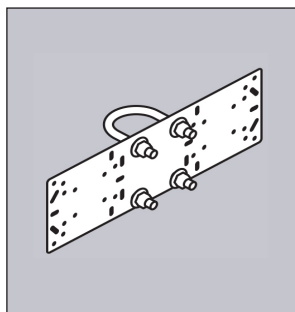
JBPK1100-UNI-50

Blank,
offset mounted



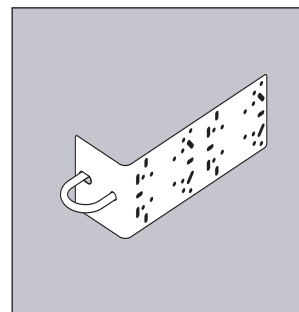
JBPK1208-50

Offset mounted



JBPK1201-50

Double,
centre mounted

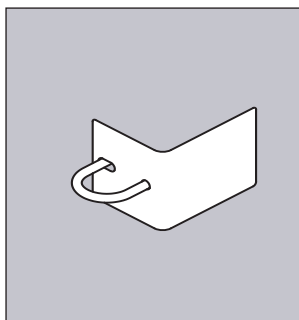


JBPK1301-50

Double,
offset mounted

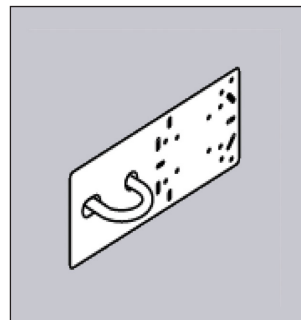
Suits Models

ST7 M2



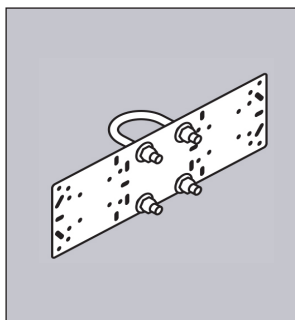
JBPK1100-UNI-65

Blank,
offset mounted



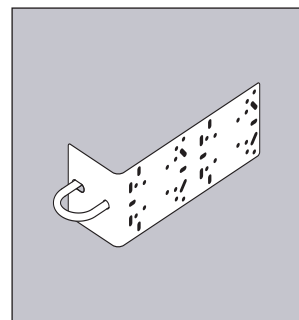
JBPK1208-65

Offset mounted



JBPK1201-65

Double,
centre mounted



JBPK1301-65

Double,
offset mounted



Technical Specifications – Maxis™ Joint and Assemblies

MAXIS™ JOINT MATERIAL & FINISH	
Material: Steel - Grade AISI 1045 Investment Cast	Material: Stainless Steel - Grade AISI 316 Investment Cast
Finish: Hot-dip galvanised (HG)	Finish: Electrolytic polishing
Compatible with aluminium products.	

DISCLAIMER
The adequacy of the guardrail and supporting structure must be verified by a site approved engineer. Swivelpole Group Pty Ltd and or Exemplar Products Pty Ltd, subsidiaries and related entities ("Swivelpole") will accept no responsibility for failure due to inadequacy of the supporting structure or guardrail to which the Maxis™ is mounted.

MANUFACTURING STANDARDS – MAXIS™ ASSEMBLIES	
Steel Structures	AS 4100
Structural Design Actions	AS/NZS 1170
Steel Pipe	AS/NZS 1163 & ASTM A500
Stainless Steel Pipe	ASTM A312 & ASME B36.19
Hot-dip galvanising	ASTM A123 (USA) CSA G164 (Canada) AS/NZS 4680 (Australia)
Aluminium Pipe 6061 T6 or 6082 T6	AS/NZS 1866 (Australia) ASTM B429 (USA & Canada)

DESIGN COMPLIANCE
The Swivelpole™ product range has been developed to meet the design criteria of a range of site conditions, including hurricane winds and hazardous environments.
For additional information on our products and product configurations to suit your design compliance needs, please contact us at sales@swivelpole.com.
Site engineers are responsible for determining the relevant design criteria, including design wind speed and to select the appropriate products from the Swivelpole™ product range to meet this criteria.

CERTIFICATION & CLASSIFICATION
<p>Maxis™ M1 and M2 models are listed by CSA as Certified under Master Contract number 257018, Certificate of Compliance 2568504, to the following standards:</p> <ul style="list-style-type: none"> • CSA Class 3426 02 - CSA C22.2 No.250.00-18 (Canada) • CSA Class 3426 82 - UL 1598; 4th Edition (US): <p>Acceptable for installation in Class 1, Division 2, Group A, B, C, and D Hazardous Locations, CSA Document 70216456. Complies with the following standards, to the extent applicable:</p> <ul style="list-style-type: none"> • CSA C22.2 No. 213-17/UL12.12.01_9th Edition Requirements for Class I, Division 2 equipment • C22.1 – 2018 Canadian Electrical Code Part 1; Safety Standard for Electrical Installation <p>Acceptable for installation in Class II Division 2, Groups E, F and G Hazardous Locations, CSA Document 70216455. Class II Division 2 product available upon request.</p> <p>Maxis™ M1 and M2 models have been evaluated as structurally adequate by a 3rd party Structural Engineer (Structural Certificate T-18-462, T-19-066 (Stainless Steel)) in accordance with the following relevant publications:</p> <ul style="list-style-type: none"> • National Building Code of Canada - Canadian wind-load data • CSA Standard S6 - Canadian Highway Bridge Design Code • CSA standard S16 (steel poles) • AASHTO (American Association of State Highway and Transportation Officials), standard • LTS (Standard Specifications for Structural Supports for Highway Signs, Luminaires and Traffic Signals) <p>The models are suitable for specification in the USA and Canada when loadings have been calculated in accordance with the above standards and design actions as listed in the Structural Certificate referenced above.</p>

WARRANTIES*
<p>5 year limited warranty</p> <p>1. All equipment and goods are warranted by the seller to be free from defects in material and workmanship for five (5) years from the date of shipment.</p> <p>Normal wear of equipment or goods, equipment or goods which are misused, abused, or damaged, or not used in accordance with the seller's instructions are excluded in this warranty.</p> <p>No warranty shall apply or responsibility be taken for any modifications, alterations or additions to the standard product design. This includes exceeding recommended maximum weights for any fittings or exceeding the installed height.</p> <p>No warranty shall apply where the product is exposed to caustic chemicals or harsh chemical, marine and salt environments.</p> <p>Optional material finish of powder coating is completed by third parties and whilst all care is taken by Swivelpole™, warranty is limited to the (12) months Supplier's standard warranty. This warranty does not apply to equipment or goods which are misused, abused or damaged or not used in accordance with seller's instructions. Normal wear of equipment or goods are excluded in this warranty. All care should be taken for the longevity of the powder coat finish.</p> <p>The adequacy of the High Vibration Pole Top (HVPT) is not guaranteed/ warranted for specific site suitability due to the vibration frequency variances in site and structure conditions. We can guarantee that the HVPT will improve performance and extend design life when compared to an ordinary pole exposed to the same vibrations. Swivelpole Group Pty Ltd and or Exemplar Products Pty Ltd, subsidiaries and related entities ("Swivelpole") will accept no responsibility or liability, direct or consequential, for failure of this product.</p> <p>2. Equipment or goods not manufactured by the seller but supplied through the seller shall carry the warranty of the original manufacturer.</p> <p>The seller's sole liability under this warranty shall be limited to either replacing or repairing without charge, at its factory or elsewhere at its discretion, any equipment or goods not meeting this warranty, or at seller's option, refunding the purchase price. The seller shall in no event be liable for any other direct or any special indirect or consequential damages of any kind under this contract or otherwise.</p> <p>* Subject to change without notice.</p>

BENDING MOMENT CAPACITY			
The following summarises the capacity of pole tops tested with the Maxis™ joint assembly and the load exceeded in testing. The tabulated capacities represent the loading in which testing was terminated and the joint remained functional.			
Maxis™ Model	Max Top Pole Size (GR350 Carbon Steel / GR205 Stainless Steel)	Joint capacity exceeded in testing (kNm)	
		Carbon steel	Stainless steel
M1	DN32 (42.4x4.9)	3.11	1.64
M1	DN40 (48.3x3.67)	3.11	1.64
M2	DN50 (60.3x5.54)	5.23	2.76
<p>Note: Maxis™ M1 and M2 components form part of lowering light poles which are supplied independent of light fixture. As the final structural loading is dependent on the light fixture fitted and installation location, it is the design responsibility of the specifying engineer to ensure the structural adequacy of the model contained in the final installed light pole assembly, based on the limits of its structural elements provided above.</p>			

COPYRIGHT & PATENT
This document is the property of and protected by copyright owned by Swivelpole Group Pty Ltd and or Exemplar Products Pty Ltd. The designs and other information embodied in this document comprise confidential information of Swivelpole Group Pty Ltd and or Exemplar Products Pty Ltd and form part of products covered by international patents and registered designs including US patent No 6957832 and US patent No 9945143. Unauthorised use, reproduction and disclosure are strictly prohibited.

**SWIVELPOLE™
LOWERING
POLE SOLUTIONS**

Swivelpole™

**TRUSTED GLOBALLY BY
ASX & FORTUNE 500
COMPANIES**

Swivelpole™ is recognized globally for providing customers with simple, fast and affordable access to light fixtures and equipment.

Our innovative access solutions eliminate the risk of working at heights, through the controlled lowering of light fixtures and equipment to a safe and comfortable working position.

After almost two decades of continuous development and improvement, Swivelpole™ has developed a comprehensive product range to suit a range of industrial applications.

Swivelpole™ have an extensive global sales history to some of the worlds' largest companies and in the most remote and challenging environments. We continue to be specified as the product of choice for proven performance and ROI.

**HOUSTON, USA
1428 North Post Oak Road
Houston, TX 77055**

**LANGLEY, CANADA
208 - 27353 58th Crescent
Langley, BC V4W 3W7**

**SALES & SUPPORT
TOLL-FREE
USA : +1 855 979 4835
CAN : +1 855 309 4023
SALES@SWIVELPOLE.COM**

For international offices see website.

Swivelpole™ © 2023

This document and all its contents is the property of Swivelpole Group Pty Ltd and or Exemplar Products Pty Ltd and is protected by copyright worldwide. Unauthorised use and reproduction is strictly prohibited. All rights reserved.

Every effort has been made to ensure that the information in this document is accurate. Swivelpole Group Pty Ltd and or Exemplar Products Pty Ltd are not responsible for printing or clerical errors.

The Maxis™ Joint and Swivelpole™ product range is protected by patents and registered designs worldwide. All rights reserved.

**ACCESS
MADE
EASY.**

SWIVELPOLE.COM