

User Guide

Swivelpole's Maxis™ Do It Yourself Solution



OVERVIEW

The Maxis™ joint is suitable for greenfield and brownfield applications and can easily be installed into new or existing rigid conduit to make a lowering pole. This guide applies to greenfield applications, where you make your own lowering pole (link to DIY page once we have one).

The Maxis™ joint is available to suit 1¼" [DN32], 1½" [DN40], 2" [DN50] and 2½" [DN65] rigid conduit, and is dispatched fully assembled and ready to install, including two orange plastic inserts to protect the cable if required.

This guide is to be followed in conjunction with onsite work procedures, safety rules and regulations.

This product must be installed in accordance with the applicable installation code by a person familiar with the construction and operation of the product and the hazards involved. Ce produit doit être installé selon le code d'installation pertinent, par une personne qui connaît bien le produit et son fonctionnement ainsi que les risques inhérents.

Drawings: Copies of client drawings are available online at swivelpole.com/maxis

Ordering: Please email sales@swivelpole.com

Copyright and Patent: The Swivelpole™ and Maxis™ product range is protected worldwide by patents and registered designs owned by Swivelpole Group Pty Ltd and Exemplar Products Pty Ltd.

GREENFIELD INSTALLATION

PREPARING POLE SECTIONS

Step 1

- Ensure you have rigid conduit cut to required lengths and ready to be used with the Maxis™ joint.

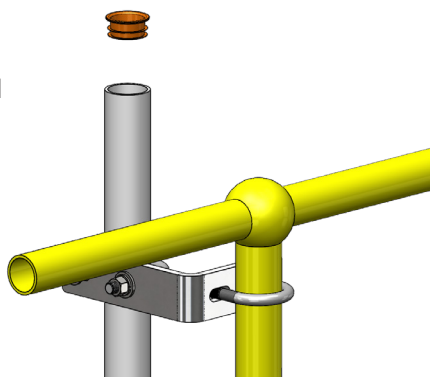
Note: Optimum installed height for the Maxis™ joint is 43.31in [1100mm] from floor level, approx 1.97in [50mm] above the handrail.

INSTALLING THE POLE BASE

Step 2

- Screw junction T-box to pole base.
- Install the pole base onto guardrail stanchion using appropriate mounting brackets (mounting brackets available from Swivelpole™).
- Ensure the pole base extends 1.97in [50mm] above the handrail.
- Fit orange plastic insert into the cut end of the pole base. (Fig 1)

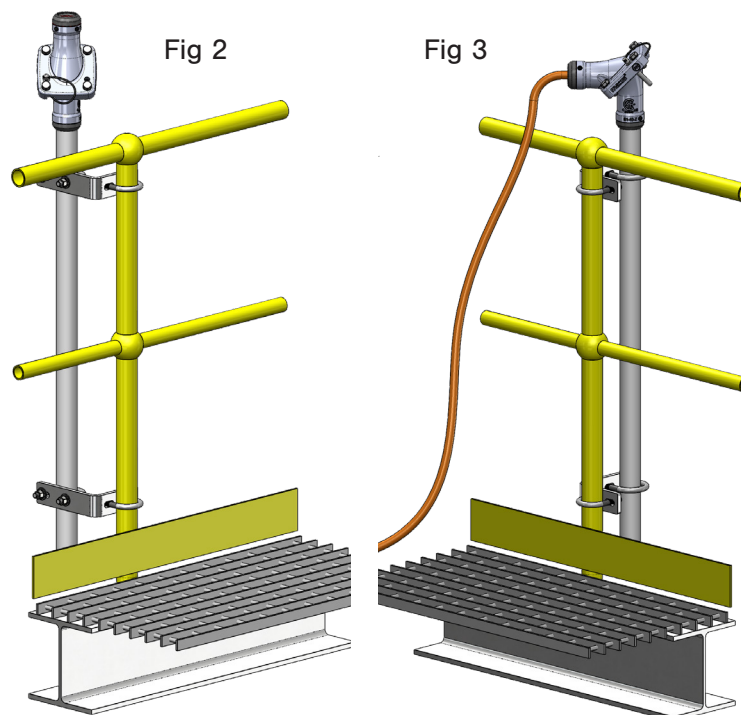
Fig 1



INSTALLING THE MAXIS™ JOINT

Step 3

- Position the Maxis™ joint onto the pole base. (Fig 2)
- Adjust the Maxis™ joint to desired direction and tighten the bottom grub screws firmly.
- The cable can be fed through Maxis™ joint to T-box.
- Loosen the four bolts by one full turn only.
- Swivel the Maxis™ joint to lowered position. (Fig 3)
Readjust direction if necessary.



User Guide

Swivelpole's Maxis™ Do It Yourself Solution

Step 4

- Fit second orange plastic insert into the cut end of the pole top.
- Feed the cable through the pole top and insert the pole top into the Maxis™ joint. (Fig 4)
- Tighten top grub screws firmly.
- Install light fixture onto pole top as per manufacturer instructions and connect the cable.

Note: Cable can be terminated off site.

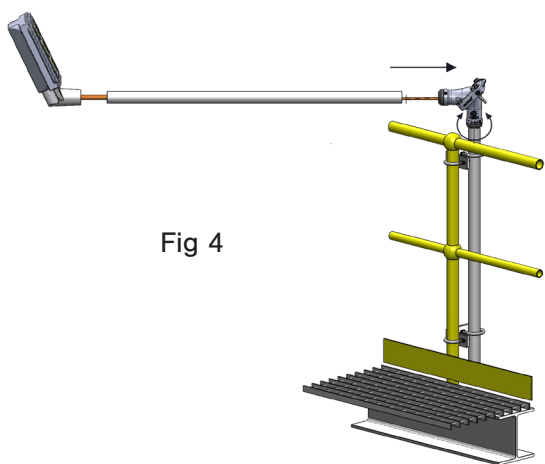


Fig 4

Step 5

- Swivel pole top to full height and insert safety pin.
- If required, the lowering position can be altered at this stage. If altering is required, loosen the bottom grub screws, reposition the direction and re-tighten grub screws firmly. Check lowering direction again, tighten bottom grub screws fully, refer torque settings.

ADJUSTING AND COMPLETING INSTALLATION

Step 6

- With pole top in upright position, check that the fixture is facing in the desired direction.
- If adjustment is required, loosen the top grub screws and rotate the pole top. (Fig 5)
- Tighten grub screws fully, refer torque settings.

Step 7

- Tighten the bolts evenly and alternately whilst ensuring the pole top is straight by manoeuvring vertically. (Fig 6)
- Fully tighten the bolts to complete the installation.
- Ensure all fasteners are tightened to the correct torque settings.

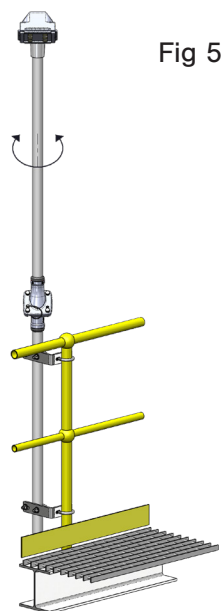


Fig 5

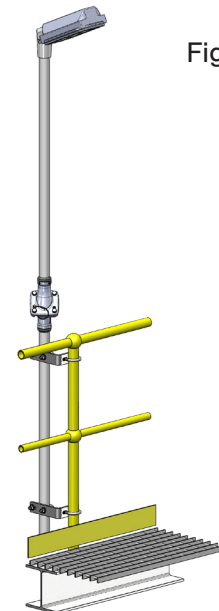


Fig 6

OPERATION

TO LOWER POLE TOP

- Ensure safety pin is inserted.
- Loosen joint bolts by one full turn only.
- Whilst holding the pole top with one hand, withdraw the safety pin and lower the pole top to a comfortable working position.
- Re-insert safety pin.

TO RAISE POLE TOP

- Withdraw safety pin.
- Raise the pole top, guiding it as it swivels to the upright position.
- Re-insert safety pin.
- Tighten the bolts evenly and alternately whilst ensuring the pole top is straight by manoeuvring vertically. Tighten joint bolts fully, refer torque settings.

JOINT ORIENTATION

Maxis™ joint allows clockwise or anti-clockwise orientation at any degree from the guardrail. With lowering operation to either side to clear any obstruction.

TOOL REQUIREMENTS

- 19mm spanner
- 5mm Allen Key (6mm for DN65)

RECOMMENDED TORQUE SETTINGS

- Grub screws: 22lb/ft [30Nm] to 25lb/ft [34Nm] (37lb/ft [50Nm] to 44lb/ft [60Nm] for DN65)
- Joint bolts: 30lb/ft [40Nm] to 60 lb/ft [80Nm]