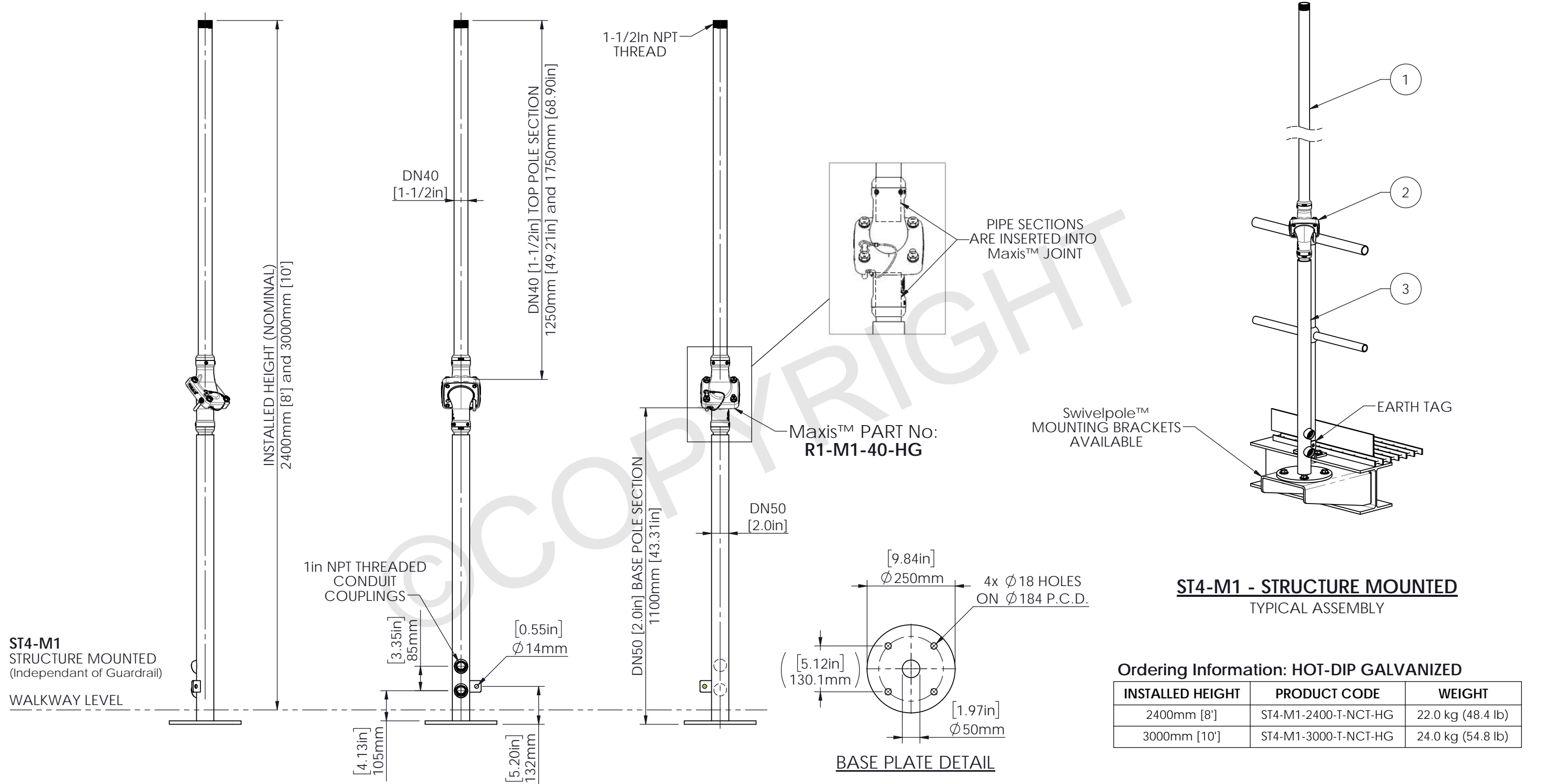


STRUCTURALLY CERTIFIED

ITEM NO.	QTY.	DESCRIPTION	MATERIAL OPTIONS
1	1	TOP POLE SECTION - THREADED	STEEL / HOT-DIP GALVANIZED
2	1	Maxis™ M1 JOINT	STEEL / HOT-DIP GALVANIZED
3	1	BASE POLE SECTION - CONDUIT c/w REDUCER	STEEL / HOT-DIP GALVANIZED



ST4-M1
STRUCTURE MOUNTED
(Independent of Guardrail)
WALKWAY LEVEL

ST4-M1 - STRUCTURE MOUNTED TYPICAL ASSEMBLY

Ordering Information: HOT-DIP GALVANIZED

INSTALLED HEIGHT	PRODUCT CODE	WEIGHT
2400mm [8']	ST4-M1-2400-T-NCT-HG	22.0 kg (48.4 lb)
3000mm [10']	ST4-M1-3000-T-NCT-HG	24.0 kg (54.8 lb)



Scan Code with QR Reader app for more Swivelpole™ Solutions

maxis
PATENTED PRODUCTS
www.maxisjoint.com

PATENTED PRODUCTS
www.swivelpole.com

Swivelpole

This document is the property of and protected by copyright owned by Swivelpole Group Pty Ltd and or Exemplar Products Pty Ltd. The designs and other information embodied in this document comprise confidential information of Swivelpole Group Pty Ltd and or Exemplar Products Pty Ltd and form part of products covered by international patents and registered designs including US patent No 6957832 and US patent No 9945143. Unauthorised use, reproduction and disclosure are strictly prohibited. This document must not be removed from the premises of the licensed user of this document without Swivelpole Group Pty Ltd's and or Exemplar Products Pty Ltd's prior approval.

ALL DIMENSIONS ARE IN MILLIMETERS / INCHES	SERIES / CODE ST	PART NUMBER As Noted	REV 2
DRAWN BY BP	DATE 25/09/20	TITLE Swivelpole™ ST4 - Maxis™ M1 Base Section - CONDUITS - Top Section - THREADED General Assembly	A3
CHECKED BY KM	DATE 25/09/20	DRG No C-NEC-ST4-M1-5040-T-NCT-HG	
APPROVED BY AI	DATE 25/09/20		
THIRD ANGLE PROJECTION	SCALE N.T.S.		

NEC