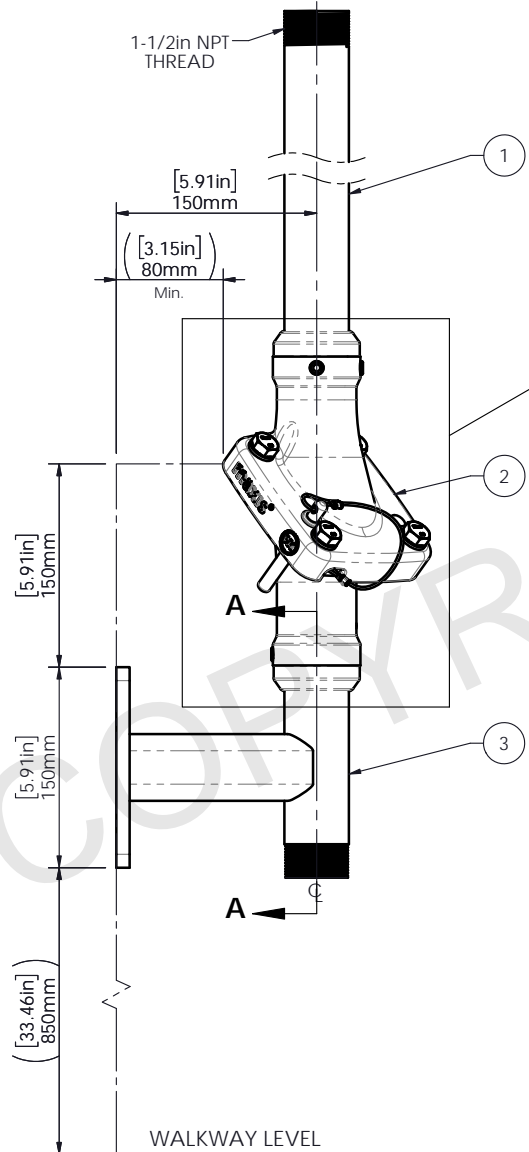
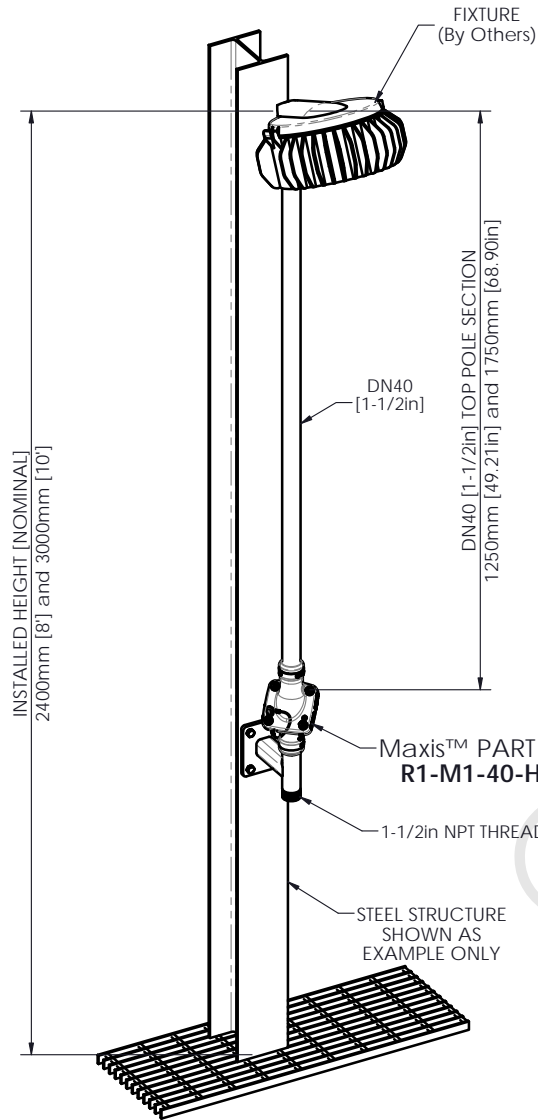
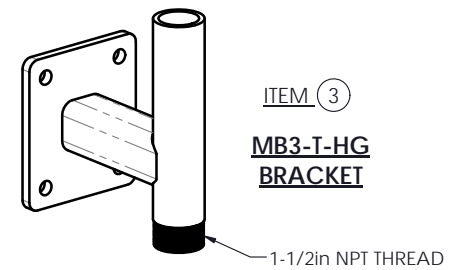
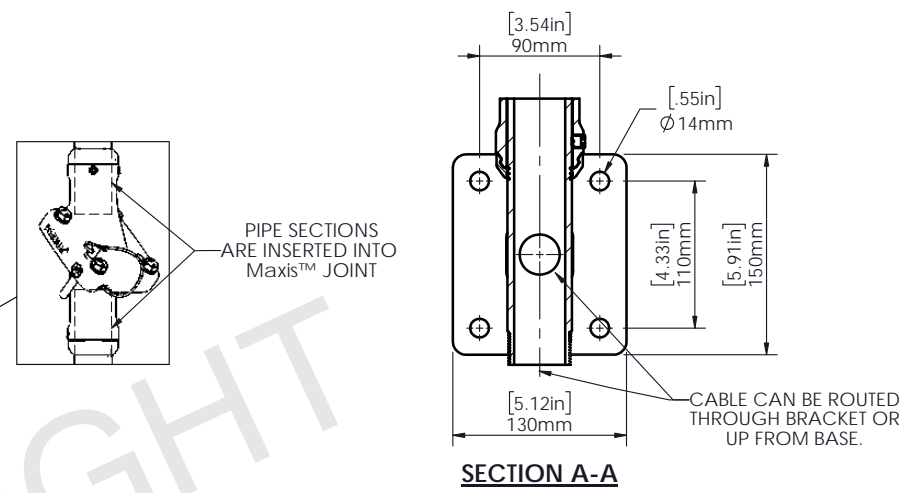


STRUCTURALLY CERTIFIED



ITEM No.	QTY	DESCRIPTION	MATERIAL OPTIONS
1	1	TOP POLE SECTION - THREADED	STEEL / HOT-DIP GALVANIZED ALUMINUM
2	1	Maxis™ M1 JOINT	STEEL / HOT-DIP GALVANIZED
3	1	SWIVELPOLE MB3-T-HG MOUNTING BRACKET	STEEL / HOT-DIP GALVANIZED



Ordering Information: ALUMINUM

INSTALLED HEIGHT	PRODUCT CODE	WEIGHT
2400mm [8']	C1-M1-2400-T-HG-AL	10.0 kg (22.0 lb)
3000mm [10']	C1-M1-3000-T-HG-AL	11.0 kg (24.2 lb)

Ordering Information: HOT-DIP GALVANIZED

INSTALLED HEIGHT	PRODUCT CODE	WEIGHT
2400mm [8']	C1-M1-2400-T-HG	12.7 kg (27.9 lb)
3000mm [10']	C1-M1-3000-T-HG	14.7 kg (32.3 lb)

C1-M1 - COLUMN / WALL MOUNTED TYPICAL ASSEMBLY



Scan Code with QR Reader app for more Swivelpole™ Solutions

maxis
PATENTED PRODUCTS
www.maxisjoint.com

Swivelpole
PATENTED PRODUCTS
www.swivelpole.com

This document is the property of and protected by copyright owned by Swivelpole Group Pty Ltd and or Exemplar Products Pty Ltd. The designs and other information embodied in this document comprise confidential information of Swivelpole Group Pty Ltd and or Exemplar Products Pty Ltd and form part of products covered by international patents and registered designs including US patent No 6957832 and US patent No 9945143. Unauthorised use, reproduction and disclosure are strictly prohibited. This document must not be removed from the premises of the licensed user of this document without Swivelpole Group Pty Ltd's and or Exemplar Products Pty Ltd's prior approval.

ALL DIMENSIONS ARE IN MILLIMETERS / INCHES	SERIES / CODE C	PART NUMBER As Noted	(RQ1804 - 26/02/23)
DRAWN BY KM	DATE 20/02/19	TITLE Swivelpole™ C1 - Maxis™ M1 MB3 Bracket, Top Section - THREADED	
CHECKED BY BP	DATE 21/02/19		
APPROVED BY RP	DATE 21/02/19		
THIRD ANGLE PROJECTION	SCALE N.T.S.	DRG No C-NEC-C1-M1-4040-T-(HG-AL)	REV 2

NEC