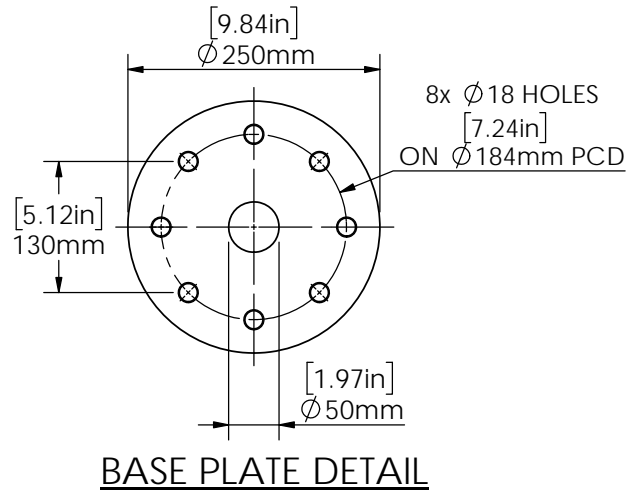


NOTE: EARTH TAG & CONDUIT POSITIONS



PART No. = ST7-2400-T-NCT-HG

MATERIAL = Steel - GALV. Finish
 WEIGHT = 28.0 kg [61.6 lb]

IEC & NEC Compliant
 (External Access all Threaded)

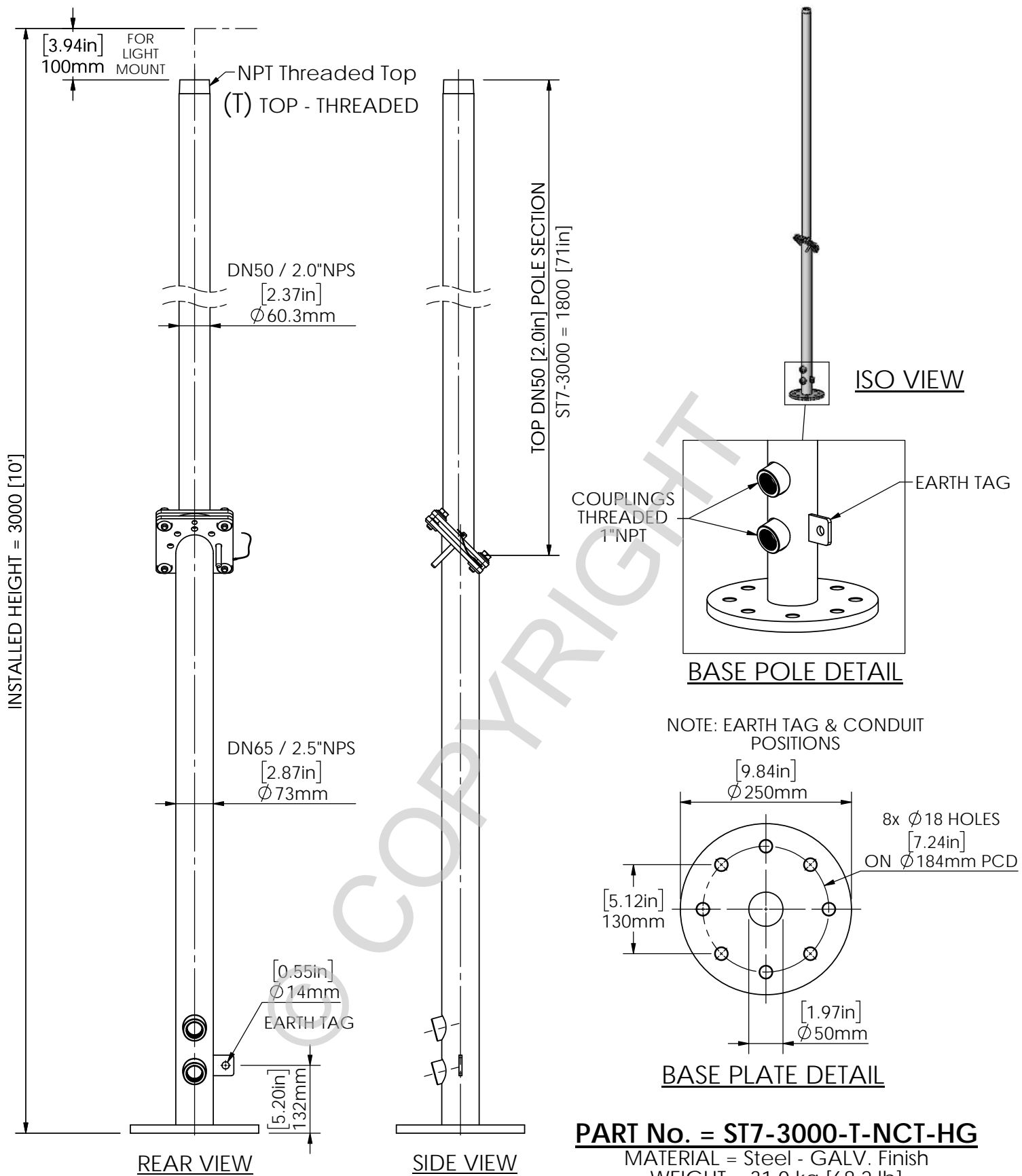
PATENTED

www.swivelpole.com

This document is the property of and protected by copyright owned by Swivelpole Group Pty Ltd. The designs and other information embodied in this document comprise confidential information of Swivelpole Group Pty Ltd and form part of products covered by international patents and registered designs including US patent No 6957832. Unauthorised use, reproduction and disclosure are strictly prohibited.

ALL DIMENSIONS ARE IN MILLIMETERS	PROJECT SWIVELPOLE	SERIES / CODE ST	PART NUMBER As Shown
DRAWN BY BP	DATE 31-03-16	TITLE Swivelpole ST7 Threaded Top Version (2400 Installed) Client Detail	
CHECKED BY KM	DATE 31-03-16	DRG No C-NA-ST7-2400-T-NCT-HG	
APPROVED BY AI	DATE 31-03-16		
THIRD ANGLE PROJECTION 	SCALE 1:10	REV 0	A4

Swivelpole™



IEC & NEC Compliant
 (External Access all Threaded)

PATENTED
www.swivelpole.com

This document is the property of and protected by copyright owned by Swivelpole Group Pty Ltd. The designs and other information embodied in this document comprise confidential information of Swivelpole Group Pty Ltd and form part of products covered by international patents and registered designs including US patent No 6957832. Unauthorised use, reproduction and disclosure are strictly prohibited.

ALL DIMENSIONS ARE IN MILLIMETERS	PROJECT SWIVELPOLE	SERIES / CODE ST	PART NUMBER As Shown
DRAWN BY BP	DATE 31-03-16	TITLE Swivelpole ST7 Threaded Top Version (3000 Installed) Client Detail	
CHECKED BY KM	DATE 31-03-16	DRG No C-NA-ST7-3000-T-NCT-HG	
APPROVED BY AI	DATE 31-03-16		
THIRD ANGLE PROJECTION	SCALE 1:10	REV 0	A4

Swivelpole™