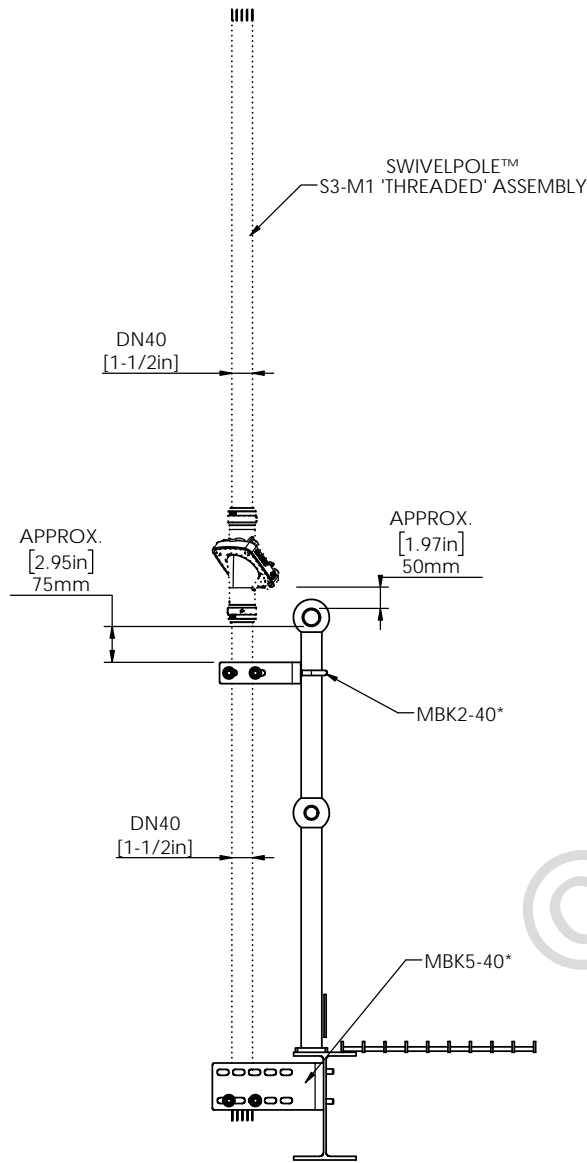


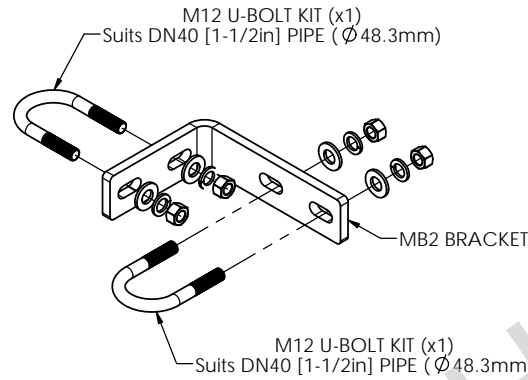
STRUCTURALLY CERTIFIED



MBK2-5-40*
TYPICAL ASSEMBLY

MBK2-40* BRACKET

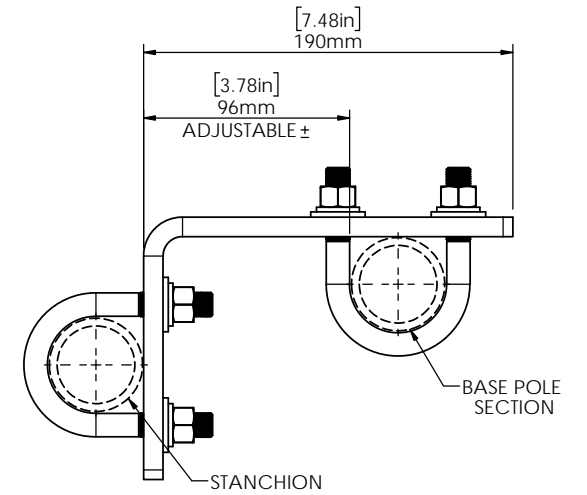
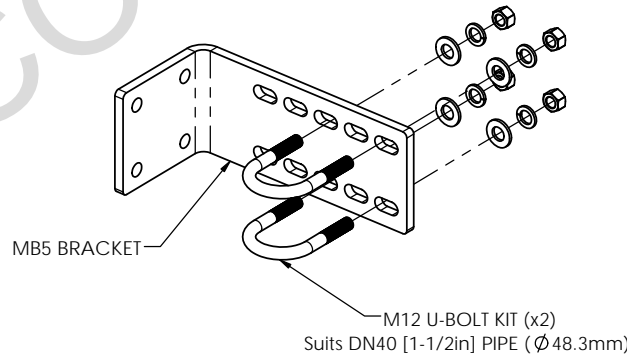
WEIGHT (INCLUDES BRACKET AND FASTENERS) = 1.6 kg [3.52 lb]



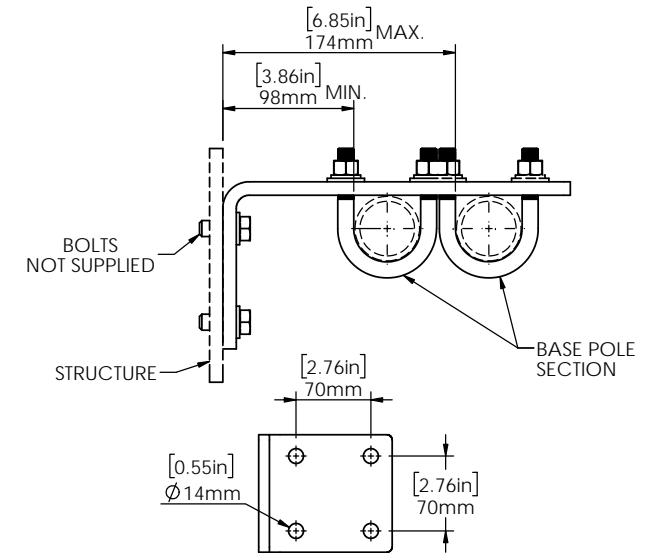
***NOTE:**
FINISH: SUPPLIED HOT-DIP GALVANIZED
AND / OR ZINC ALUMINUM
BOTH FINISHES ARE SUITABLE WITH
ALUMINUM AND HOT-DIP GALVANIZED PIPE

MBK5-40* BRACKET

WEIGHT (INCLUDES BRACKET AND FASTENERS) = 3.4 kg [7.48 lb]



MBK2 DIMENSIONS
TO SUIT DN40 [1-1/2in] STANCHION



MBK5 DIMENSIONS
(BOLTED TO STRUCTURE)



Scan Code with
QR Reader app for more
Swivelpole™ Solutions

maxis
PATENTED
PRODUCTS

www.maxisjoint.com

PATENTED
PRODUCTS

www.swivelpole.com

Swivelpole

This document is the property of and protected by copyright owned by Swivelpole Group Pty Ltd and/or Exemplar Products Pty Ltd. The designs and other information embodied in this document comprise confidential information of Swivelpole Group Pty Ltd and/or Exemplar Products Pty Ltd and form part of products covered by international patents and registered designs including US patent No 6957832 and US patent No 9945143. Unauthorised use, reproduction and disclosure are strictly prohibited. This document must not be removed from the premises of the licensed user of this document without Swivelpole Group Pty Ltd's and/or Exemplar Products Pty Ltd's prior approval.

ALL DIMENSIONS ARE IN MILLIMETERS / INCHES	SERIES / CODE	PART NUMBER
	MBK	MBK2-5-40*
DRAWN BY	DATE	TITLE
KM	12/3/20	Swivelpole™ Mounting Bracket Kit
CHECKED BY	DATE	Typical Installation with Swivelpole™ S3-M1
RP	12/3/20	Client - Bracket Detail
APPROVED BY	DATE	
RP	12/3/20	
THIRD ANGLE PROJECTION	SCALE	DRG No
	N.T.S.	C-NEC-MBK2-5-40
		REV
		0
		A3

NEC