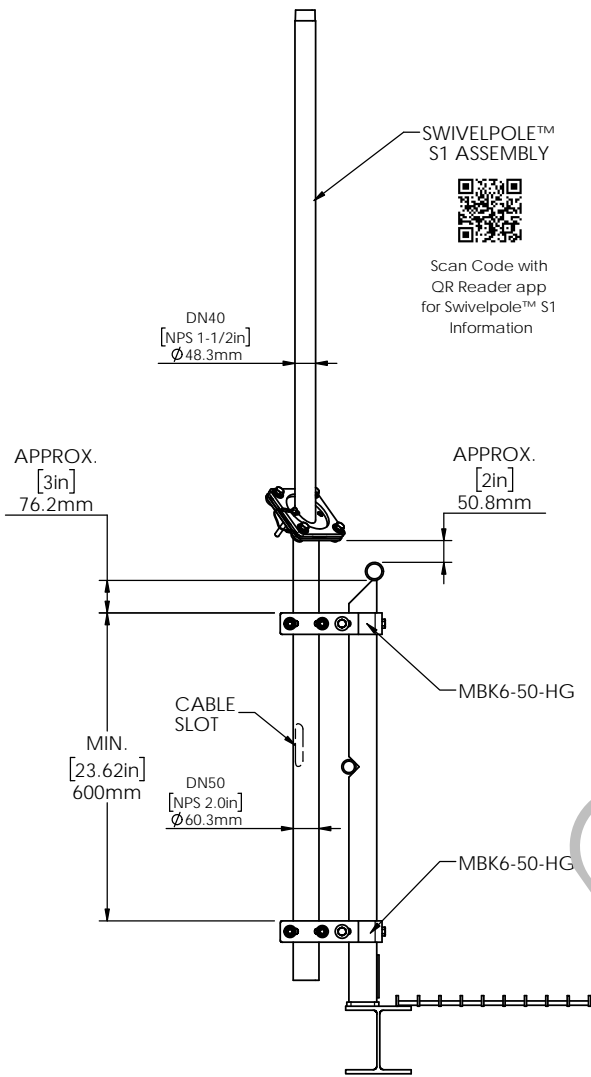


ASSEMBLY	WEIGHT
[8'] S1-2400 cw MBK6-6-50	18.0 kg [39.6 lb]
[10'] S1-3000 cw MBK6-6-50	20.5 kg [45.1 lb]

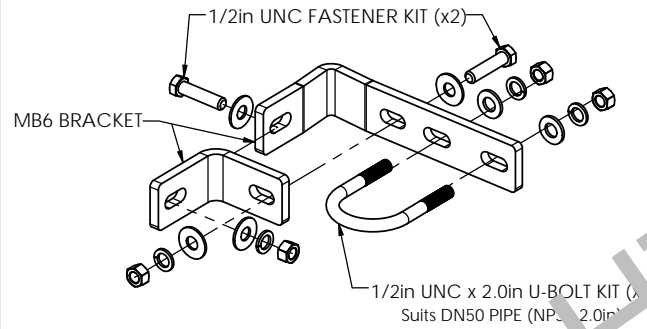


**MBK6-6-50-HG**  
TYPICAL ASSEMBLY  
FINISH: HOT DIPPED GALVANIZED

IEC

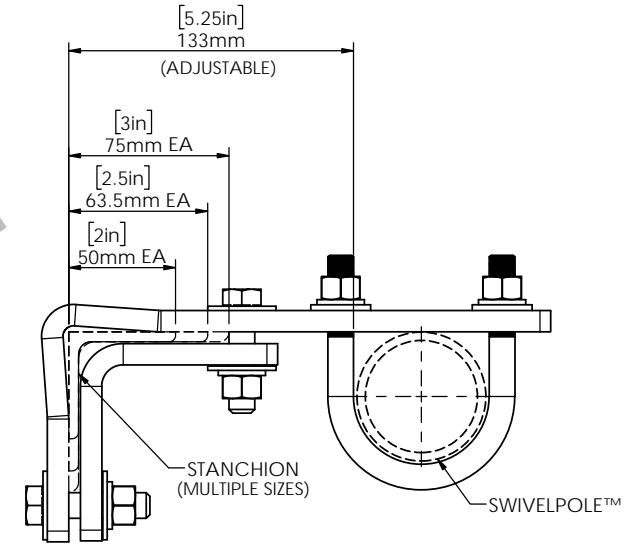
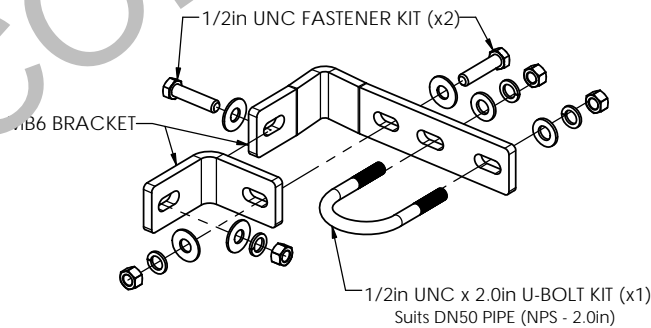
**MBK6-50-HG BRACKET**

WEIGHT (INCLUDES BRACKET AND FASTENERS) = 2.2 kg [4.8 lb]



**MBK6-50-HG BRACKET**

WEIGHT (INCLUDES BRACKET AND FASTENERS) = 2.2 kg [4.8 lb]



**MBK6 DIMENSIONS**

TO SUIT 2in, 2-1/2in AND 3in EQUAL ANGLE STANCHION WITH FLANGE THICKNESS FROM 3/16in TO 3/8in



Scan Code with QR Reader app for more Swivelpole™ Bracket Solutions

**PATENTED**  
PRODUCTS

[www.swivelpole.com](http://www.swivelpole.com)

**Swivelpole**

This document is the property of and protected by copyright owned by Swivelpole Group Pty Ltd. The designs and other information embodied in this document comprise confidential information of Swivelpole Group Pty Ltd and form part of products covered by international patents and registered designs including US patent No 6957832. Unauthorised use, reproduction and disclosure are strictly prohibited. This document must not be removed from the premises of the licensed user of this document without Swivelpole Group Pty Ltd's prior approval.

ALL DIMENSIONS BASED BY MILLIMETERS / INCHES	PROJECT SWIVELPOLE	SERIES / CODE MBK	PART NUMBER MBK6-6-50-HG (RQ1250)
DRAWN BY AD	DATE 21/3/10	TITLE Swivelpole™ S1 Mounting Bracket Kit Typical Installation Client - Bracket Detail	
CHECKED BY FB	DATE 23/3/10	DRG No C-NA-MBK6-6-50-HG	
APPROVED BY PP	DATE 30/3/10	SCALE N.T.S.	REV 3
THIRD ANGLE PROJECTION	SCALE N.T.S.		A3