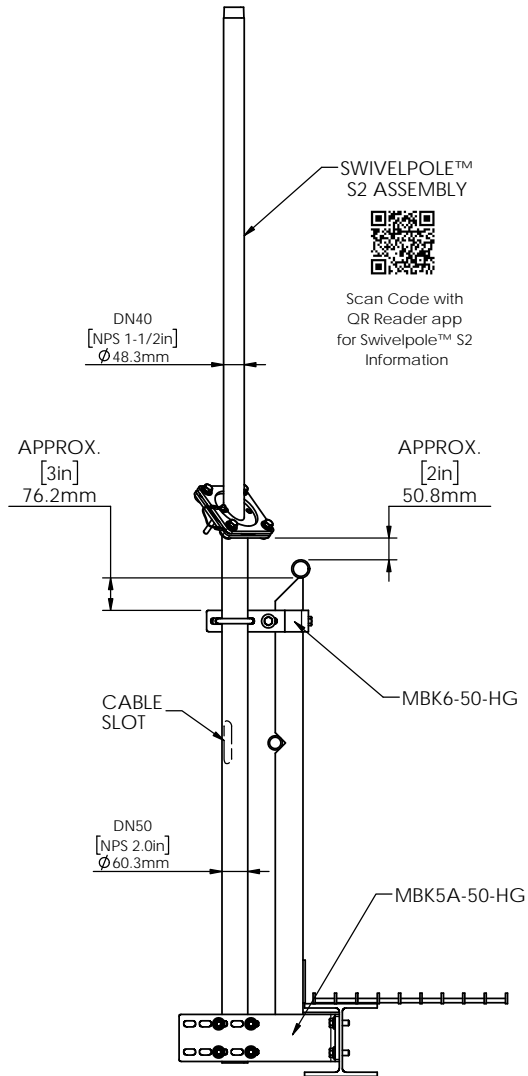
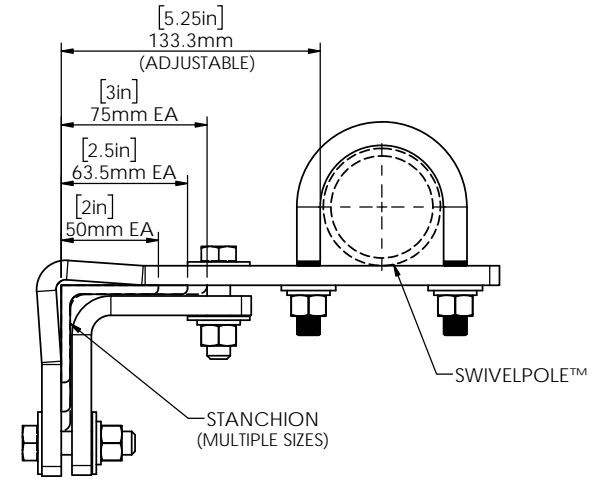
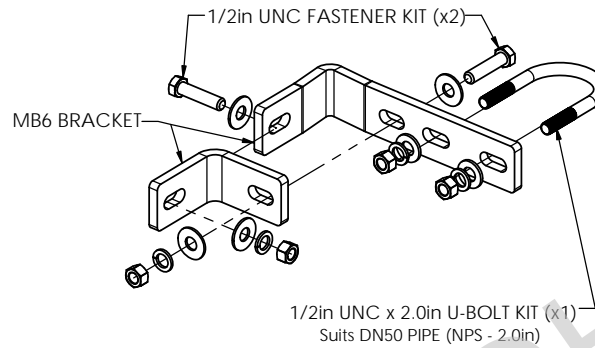


ASSEMBLY	WEIGHT
[8"] S2-2400 cw MBK6-5A-50	21.5 kg [47.3 lb]
[10"] S2-3000 cw MBK6-5A-50	23.9 kg [52.6 lb]



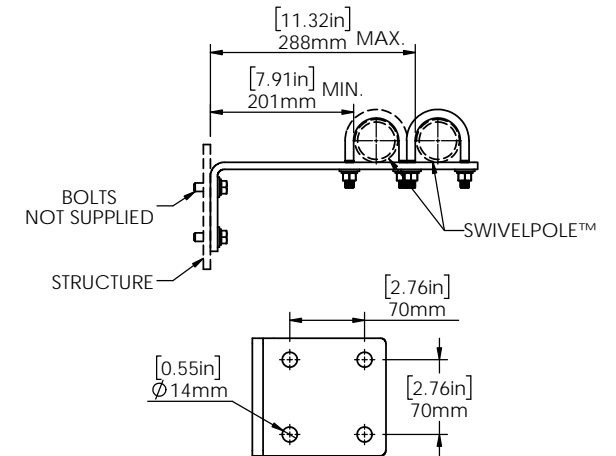
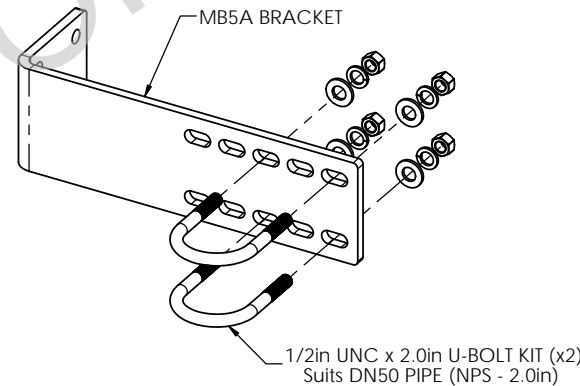
MBK6-5A-50-HG
TYPICAL ASSEMBLY
FINISH: HOT DIPPED GALVANIZED

MBK6-50-HG BRACKET
WEIGHT (INCLUDES BRACKET AND FASTENERS) = 2.2 kg [4.8 lb]



MBK6 DIMENSIONS
TO SUIT 2in, 2-1/2in AND 3in EQUAL ANGLE STANCHION
WITH FLANGE THICKNESS FROM 3/16in TO 3/8in

MBK5A-50-HG BRACKET
WEIGHT (INCLUDES BRACKET AND FASTENERS) = 4.35 kg [9.57 lb]



MBK5A DIMENSIONS

IEC



Scan Code with
QR Reader app for more
Swivelpole™ Bracket Solutions

PATENTED
PRODUCTS

www.swivelpole.com

Swivelpole

ALL DIMENSIONS ARE IN MILLIMETERS / INCHES		PROJECT	SERIES / CODE	PART NUMBER
SWIVELPOLE		MBK	MBK6-5A-50-HG (RQ1250)	
DRAWN BY	AD	DATE	21/3/10	
CHECKED BY	FB	DATE	23/3/10	
APPROVED BY	PP	DATE	30/3/10	
THIRD ANGLE PROJECTION	SCALE		N.T.S.	
TITLE			Swivelpole™ S2 Mounting Bracket Kit Typical Installation Client - Bracket Detail	
DRG No			REV	A3
C-NA-MBK6-5A-50-HG			3	

This document is the property of and protected by copyright owned by Swivelpole Group Pty Ltd. The designs and other information embodied in this document comprise confidential information of Swivelpole Group Pty Ltd and form part of products covered by international patents and registered designs including US patent No 6957832. Unauthorised use, reproduction and disclosure are strictly prohibited. This document must not be removed from the premises of the licensed user of this document without Swivelpole Group Pty Ltd's prior approval.