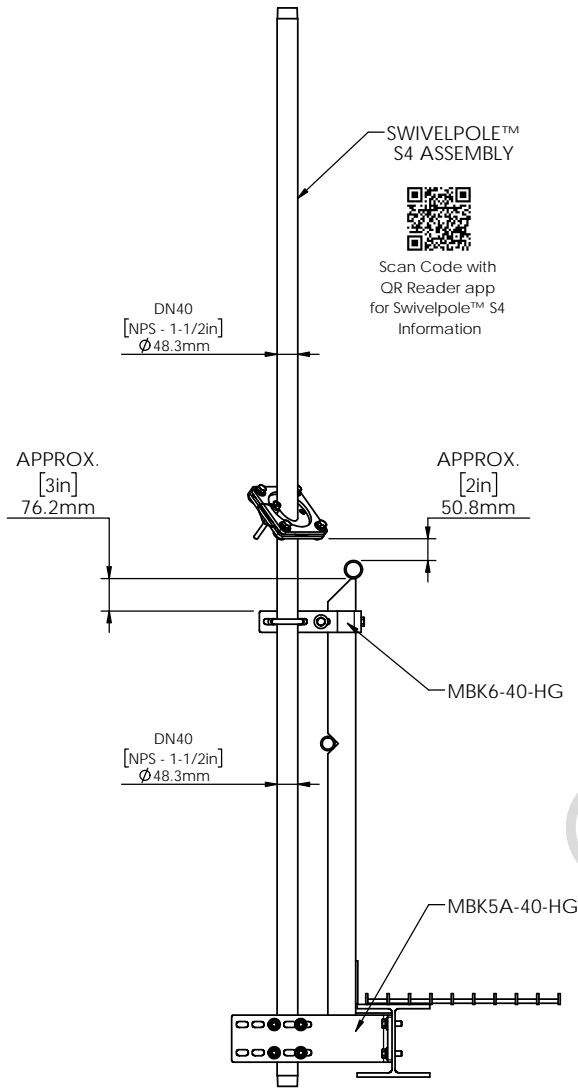
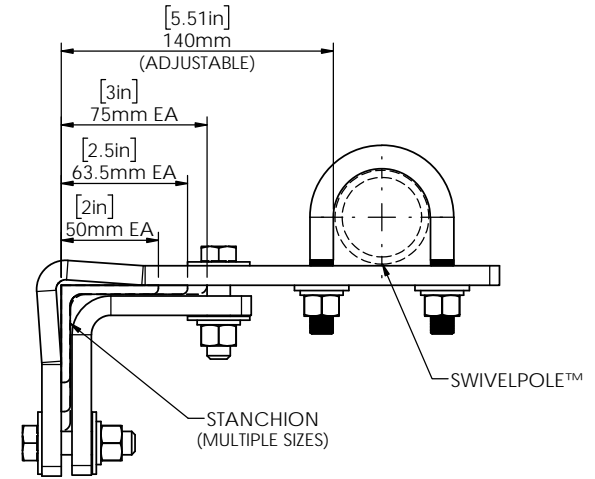
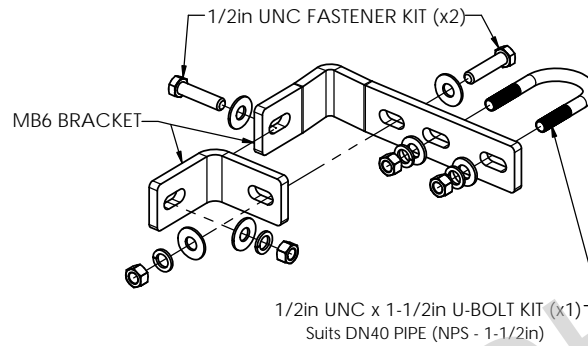


ASSEMBLY	WEIGHT
[8'] S4-2400 cw MBK6-5A-40	20.0 kg [44.0 lb]
[10'] S4-3000 cw MBK6-5A-40	22.4 kg [49.3 lb]



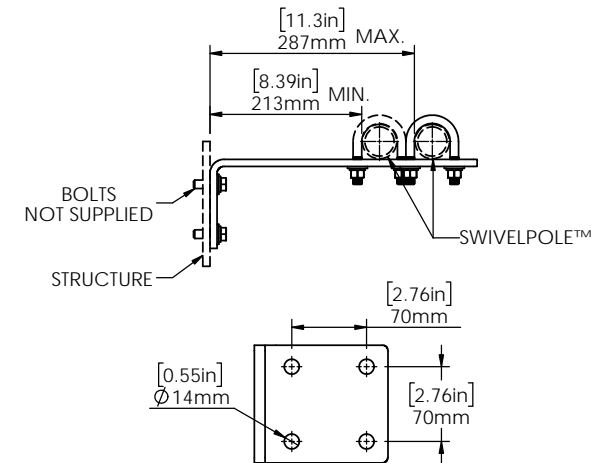
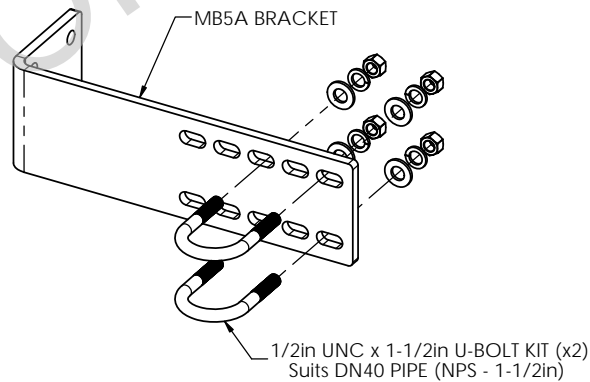
MBK6-5A-40-HG
TYPICAL ASSEMBLY
FINISH: HOT DIPPED GALVANIZED

MBK6-40-HG BRACKET
WEIGHT (INCLUDES BRACKET AND FASTENERS) = 2.2 kg [4.8 lb]



MBK6 DIMENSIONS
TO SUIT 2in, 2-1/2in AND 3in EQUAL ANGLE STANCHION
WITH FLANGE THICKNESS FROM 3/16in TO 3/8in

MBK5A-40-HG BRACKET
WEIGHT (INCLUDES BRACKET AND FASTENERS) = 4.35 kg [9.57 lb]



MBK5A DIMENSIONS



Scan Code with
QR Reader app for more
Swivelpole™ Bracket Solutions

PATENTED
PRODUCTS

www.swivelpole.com

Swivelpole

ALL DIMENSIONS ARE IN MILLIMETERS / INCHES		PROJECT SWIVELPOLE	SERIES / CODE MBK	PART NUMBER MBK6-5A-40-HG (RQ1250)
DRAWN BY AD	DATE 21/3/10	TITLE Swivelpole™ S4 Mounting Bracket Kit Typical Installation Client - Bracket Detail		
CHECKED BY FB	DATE 23/3/10	DRG No		
APPROVED BY PP	DATE 30/3/10	SCALE N.T.S.	REV 3	A3

NEC