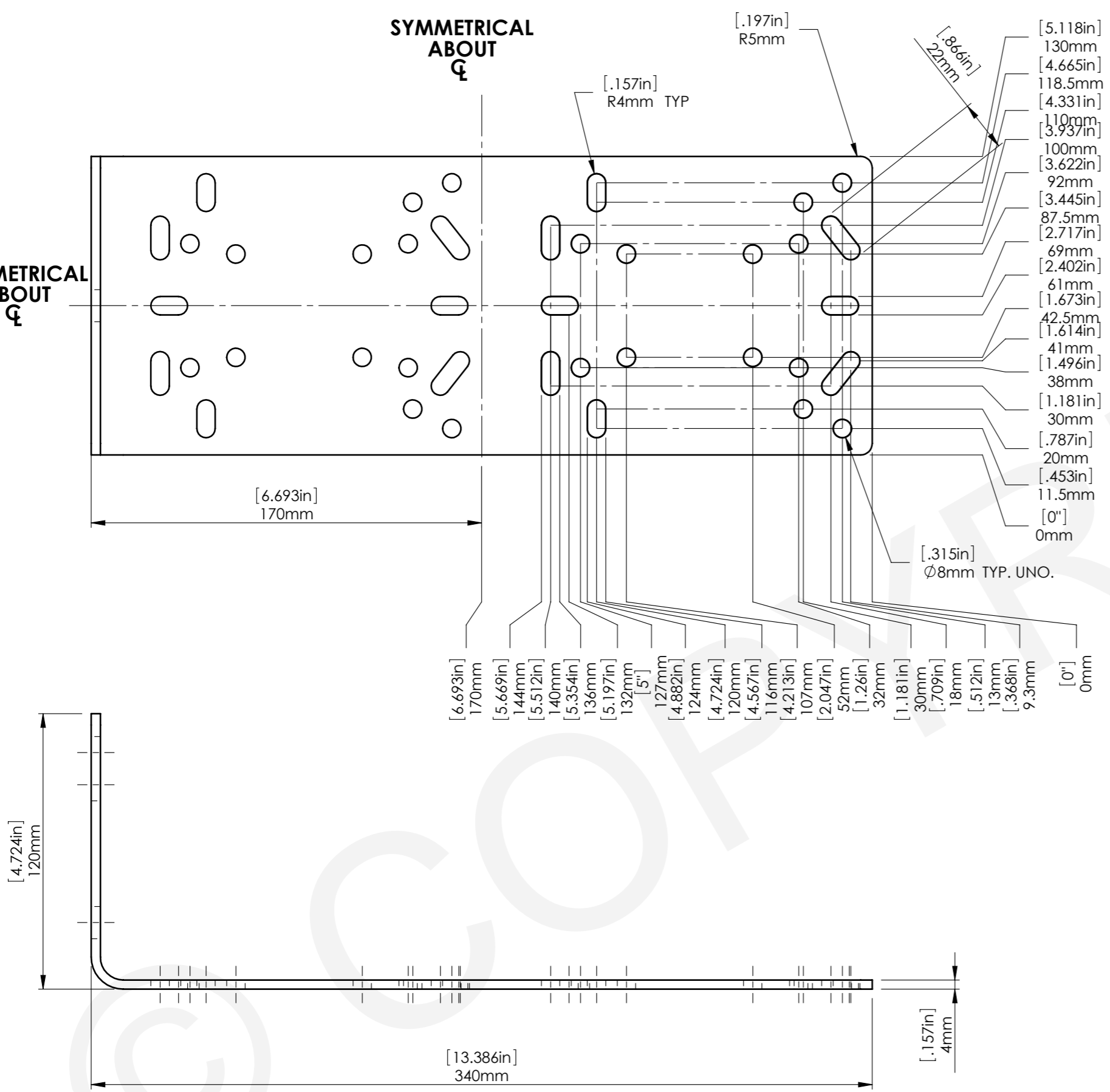
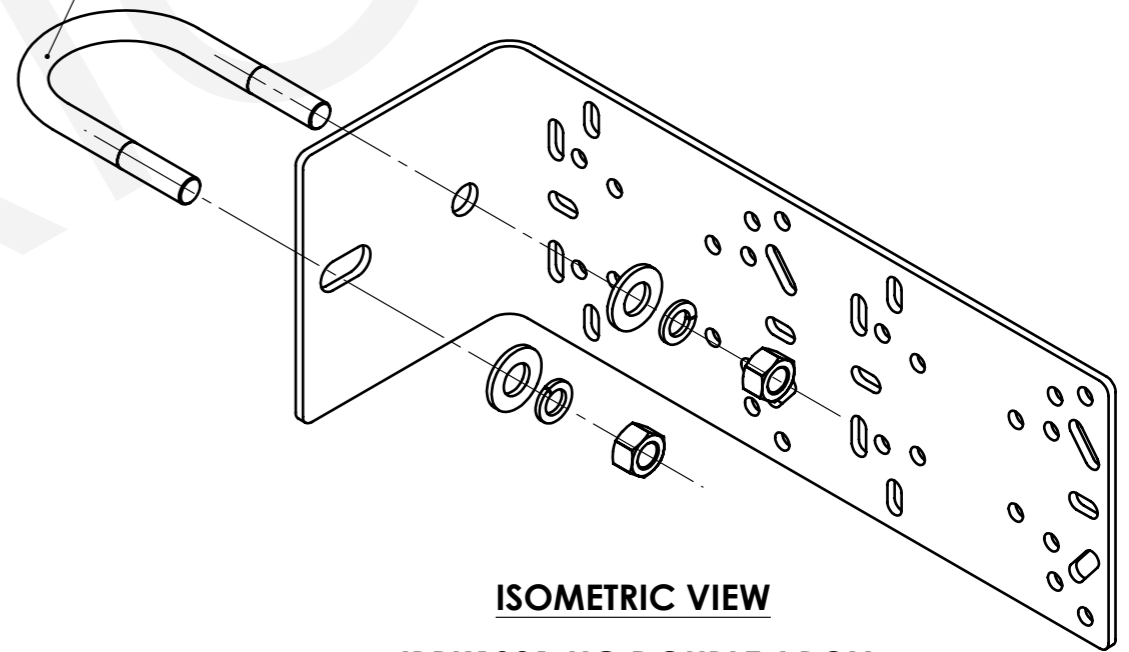


SYMMETRICAL ABOUT ϕ

SYMMETRICAL ABOUT ϕ



SUPPLIED WITH DN 50 U BOLT & NUTS



ISOMETRIC VIEW

JBPk1301-HG DOUBLE J BOX

REV.	DESCRIPTION	DATE	APPROVED
0	ISSUED FOR MANUFACTURE	30-03-10	PP
REVISION HISTORY			

Swivelpole™

This document is the property of and protected by copyright owned by Safe Swivel Technology Pty Ltd (SST). The designs and other information embodied in this document comprise confidential information of SST and form part of products covered by international patents and registered designs including US patent No 6957832. Unauthorised use, reproduction and disclosure are strictly prohibited. This document must not be removed from the premises of the licensed user of this document without SST's prior approval.			
ALL DIMENSIONS ARE IN MILLIMETERS	PROJECT SWIVELPOLE	SERIES / CODE JBP	PART NUMBER JBPk1301-HG
DRAWN BY AFFLATUS DESIGN	DATE 09-10-09	TITLE Swivelpole S1/S2	
CHECKED BY FB	DATE 22-03-10	Detail	
APPROVED BY PP	DATE 30-03-10	SCALE 1:2	DRG No C-NA-JBPk1301-HG
THIRD ANGLE PROJECTION			REV 0
			A3