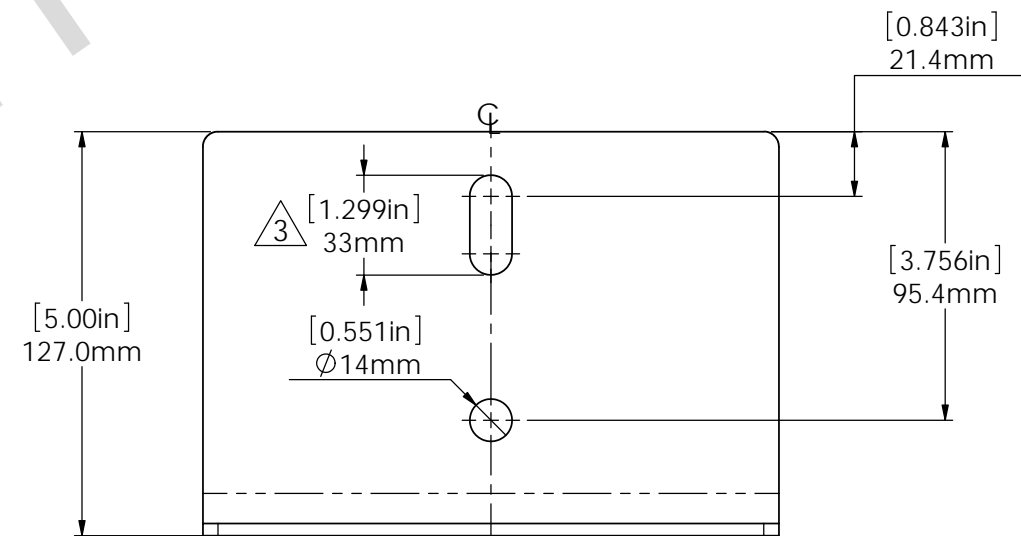
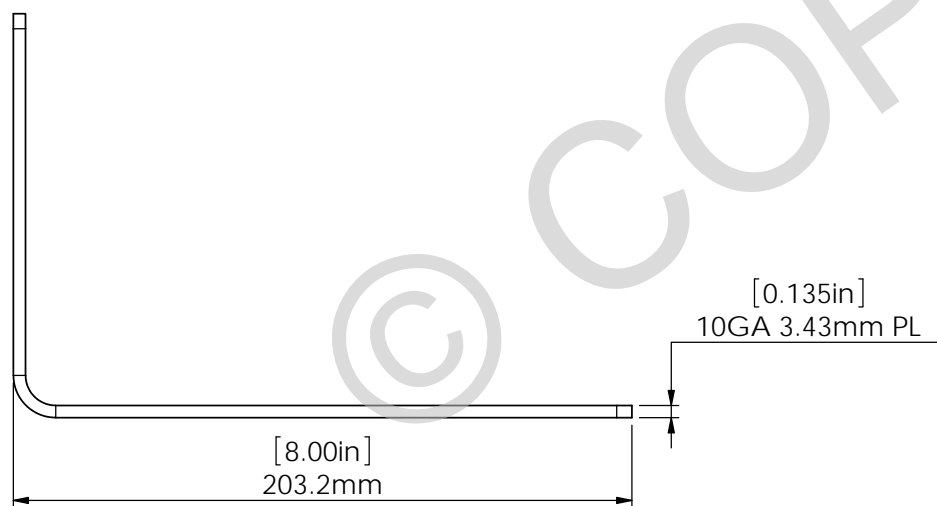


ISOMETRIC VIEW

PART No. = JBPK1100-UNI-002-HG ³
MATERIAL = Mild Steel Gr. ASTM A 36
WEIGHT = 1.6 kg

SUPPLIED WITH DN40 or DN50 U-BOLT & NUTS



Swivelpole™

This document is the property of and protected by copyright owned by Safe Swivel Technology Pty Ltd (SST). The designs and other information embodied in this document comprise confidential information of SST and form part of products covered by international patents and registered designs including US patent No 6957832. Unauthorised use, reproduction and disclosure are strictly prohibited. This document must not be removed from the premises of the licensed user of this document without SST's prior approval.

| ALL DIMENSIONS ARE IN MILLIMETERS | PROJECT | SERIES / CODE | PART NUMBER |
|-----------------------------------|------------|---------------|---------------------------------------|
| | SWIVELPOLE | JBP | As shown (RQ1114 / RQ1121) |
| DRAWN BY | BP | DATE | 15-08-12 |
| CHECKED BY | PP | DATE | 15-08-12 |
| APPROVED BY | PP | DATE | 15-08-12 |
| THIRD ANGLE PROJECTION | SCALE | | DRG No |
| | 1:2.5 | | C-NA-JBPK1100-UNI-002-HG ³ |
| | | | REV 3 A3 |

Swivelpole
DN 50 [2.0in] Universal Junction Box Plate Kit
Client Detail