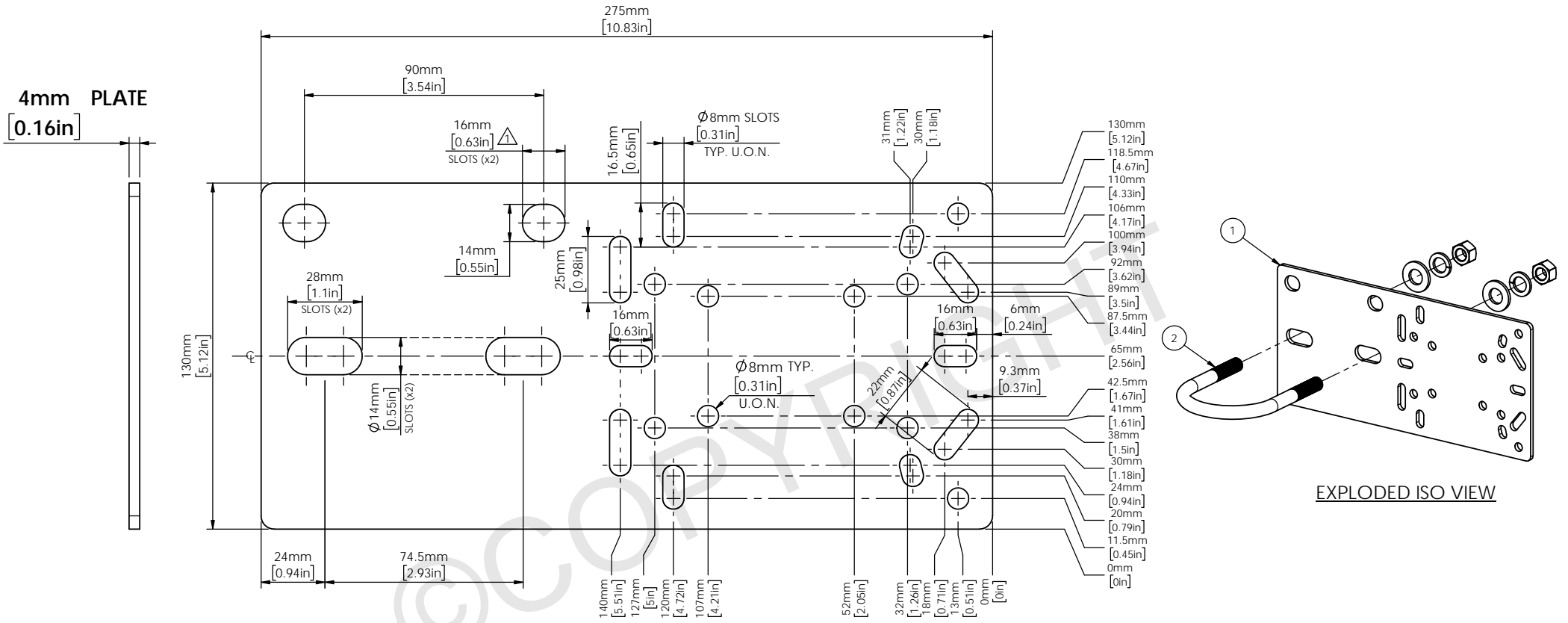


ITEM NO.	QTY.	PART NUMBER	DESCRIPTION	WEIGHT
1	1	JBP1208-HG	Junction Box Plate	1.0
2	1	M12-UBK65-HG	DN65 U-Bolt Fastener Kit	0.3



PART NUMBER = JBPK1208-65-HG

MATERIAL = STEEL

FINISH = Hot Dip Galvanised

WEIGHT = 1.3 kg [2.86 lb]

SUPPLIED WITH DN65 U-BOLT & NUTS



Scan Code with QR Reader app for more Swivelpole™ Solutions

maxis
PATENTED PRODUCTS

www.maxisjoint.com

PATENTED PRODUCTS

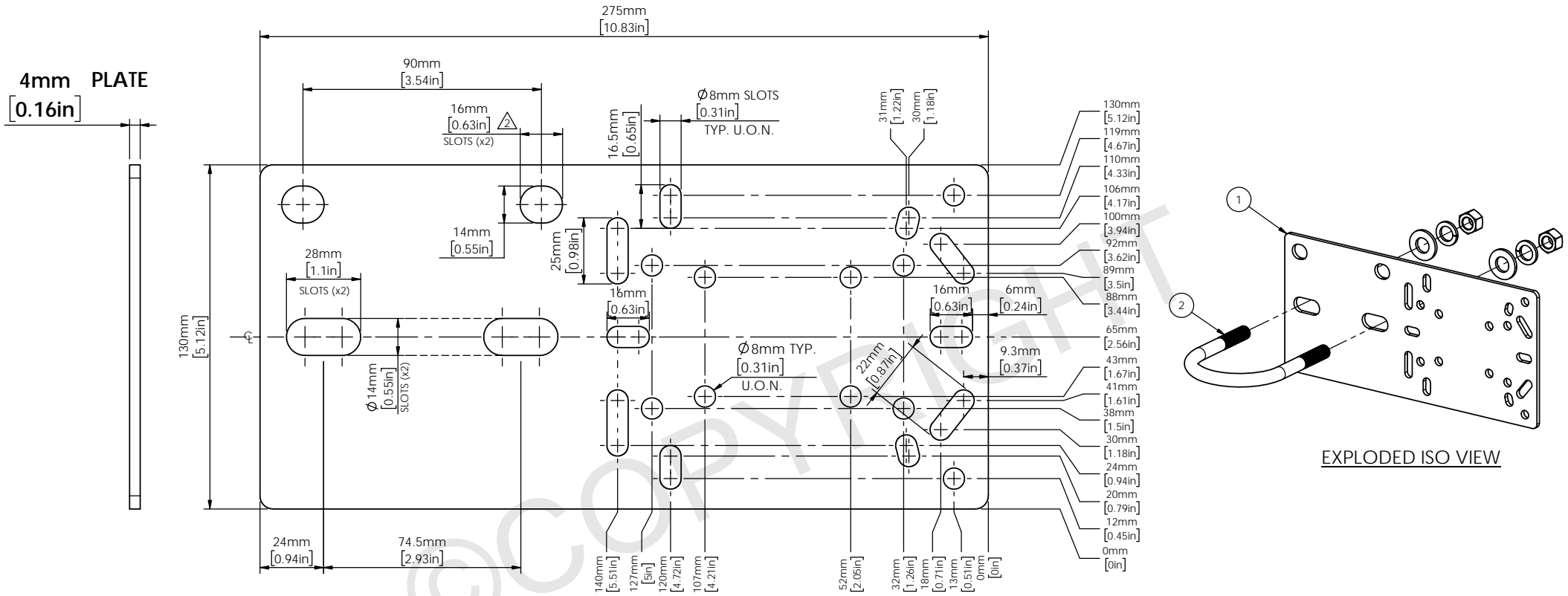
www.swivelpole.com

Swivelpole

This document is the property of and protected by copyright owned by Swivelpole Group Pty Ltd and or Exemplar Products Pty Ltd. The designs and other information embodied in this document comprise confidential information of Swivelpole Group Pty Ltd and or Exemplar Products Pty Ltd and form part of products covered by international patents and registered designs including US patent No 6957832 and US patent No 9945143. Unauthorised use, reproduction and disclosure are strictly prohibited. This document must not be removed from the premises of the licensed user of this document without Swivelpole Group Pty Ltd's and or Exemplar Products Pty Ltd's prior approval. (RQ1929 - 11/10/23)

ALL DIMENSIONS ARE IN MILLIMETERS / INCHES	SERIES / CODE JBPK	PART NUMBER JBPK1208-65-HG	REV 1
DRAWN BY BP	DATE 19/07/21	TITLE Swivelpole™ Junction Box Plate - DN65 Pole Client Detail	A3
CHECKED BY KM	DATE 19/07/21	DRG No C-JBPK1208-65-HG	
APPROVED BY AI	DATE 19/07/21		
THIRD ANGLE PROJECTION	SCALE N.T.S.		

ITEM NO.	QTY.	PART NUMBER	DESCRIPTION	WEIGHT
1	1	JBP1208-SS	Junction Box Plate	1.1
2	1	M12-UBK65-SS	DN65 U-Bolt Fastener Kit	0.3



PART NUMBER = JBPK1208-65-SS

MATERIAL = 316 STAINLESS STEEL

WEIGHT = 1.4 kg [3.08 lb]

SUPPLIED WITH DN65 U-BOLT & NUTS



Scan Code with QR Reader app for more Swivelpole™ Solutions

maxis
PATENTED
PRODUCTS

www.maxisjoint.com

PATENTED
PRODUCTS

www.swivelpole.com

Swivelpole

This document is the property of and protected by copyright owned by Swivelpole Group Pty Ltd and/or Exemplar Products Pty Ltd. The designs and other information embodied in this document comprise confidential information of Swivelpole Group Pty Ltd and/or Exemplar Products Pty Ltd and form part of products covered by international patents and registered designs including US patent No 6957832 and US patent No 9945143. Unauthorised use, reproduction and disclosure are strictly prohibited. This document must not be removed from the premises of the licensed user of this document without Swivelpole Group Pty Ltd's and/or Exemplar Products Pty Ltd's prior approval.

ALL DIMENSIONS ARE IN MILLIMETERS / INCHES		SERIES / CODE	PART NUMBER	REV
		JBPBK	JBPBK1208-65-SS	(RQ)1929 - 11/10/23
DRAWN BY	BP	DATE	26/11/20	TITLE
CHECKED BY	KM	DATE	26/11/20	Swivelpole™
APPROVED BY	AI	DATE	26/11/20	Junction Box Plate - DN65 Pole
THIRD ANGLE PROJECTION		SCALE	N.T.S.	DRG No
				C-JBPBK1208-65-SS
				REV 2 A3