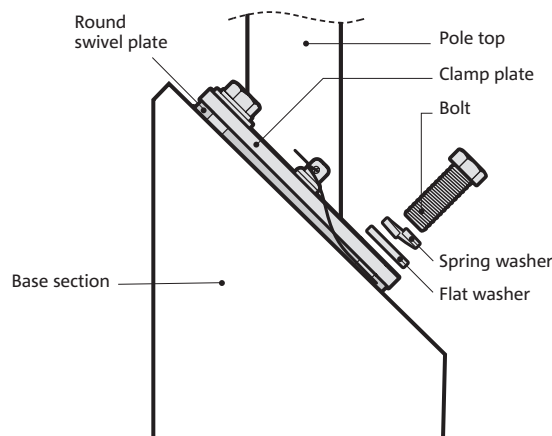
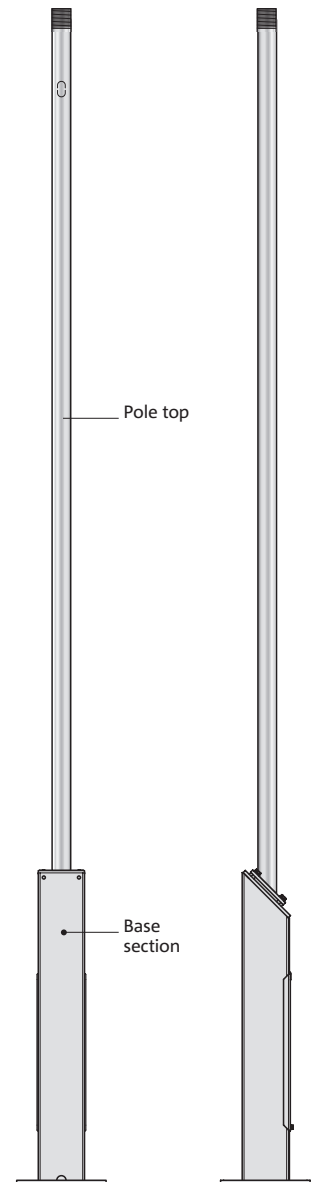


Before installation please ensure you have read the **Safe Swivel™ joint orientation** and **Operation and safety information**. This guide should be followed to ensure the **Swivelpole™** is assembled and installed safely and correctly.

Copies of general assembly drawings are available online [www.swivelpole.com](http://www.swivelpole.com)

## Installation of Swivelpole™ F2

1. Feed the electrical cable through the base section of the Swivelpole™.
2. Position the base section over the installed cage bolts (optional) or as specified (see *Safe Swivel™ joint orientation*).
3. Align the base section so it is vertical.
4. Tighten base plate bolts.
5. Feed the electrical cable through the pole top prior to bolting to the base swivel plate.
6. **Apply multi-purpose grease to swivel plate surfaces and bolts.**
7. Slide the clamp plate onto the pole top.
8. With one person holding the pole top horizontally, the second person can position the round swivel plate locator into the hole of the base section swivel plate.
9. Bolt the clamp plate to the base section swivel plate, using the ½"UNC x 2"HT galvanized hex head bolts with spring and flat washers.
10. The safety pin wire loop should be fitted between the plates using the bottom left-hand bolt.
11. Tighten the bolts evenly.
12. Apply enough tension to allow controlled raising of the pole top.
13. At this point, the Swivelpole™ will be self supporting.
14. To raise, push the pole top, guiding it as it swivels to the upright position.
15. Insert the safety pin.
16. With the pole top in the upright position, mark the pole in the direction the luminaire is to face, and lower it again to fit luminaire mount.
17. To lower, retract the safety pin and swivel the pole top down to a safe working height and insert the safety pin.
18. Fit the luminaire mount as per marked position on the pole top.
19. When using non threaded poles and Swivelpole™ luminaire mount, tighten the set screws to a torque setting of 12 lb/ft to 15 lb/ft.
20. Complete installation and termination of the luminaire.
21. Raise the Swivelpole™ and insert the safety pin.
22. Tighten the bolts evenly to a torque setting of between 30 lb/ft and 60 lb/ft.



# INSTALLATION & OPERATION GUIDE

Swivelpole™

The patented Swivelpole™ allows controlled lowering of the pole into a safe and comfortable working position. This guide should be followed to ensure the Swivelpole™ is assembled and installed safely and correctly so it works to its optimum performance.

Copies of general assembly drawings are available online  
[www.swivelpole.com](http://www.swivelpole.com)

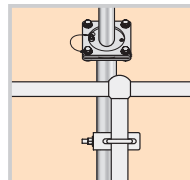
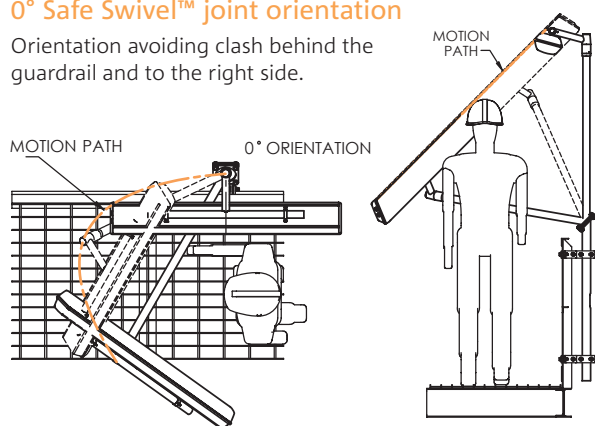


## Safe Swivel™ joint orientation

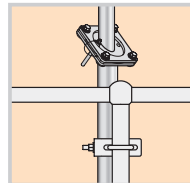
**Important:** Safe Swivel™ joint allows clockwise or anti-clockwise orientation at any degree from the guardrail, with lowering operation to either side to avoid any clash to either side.

### 0° Safe Swivel™ joint orientation

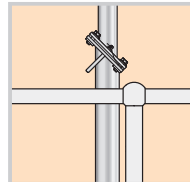
Orientation avoiding clash behind the guardrail and to the right side.



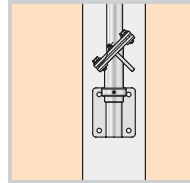
Stanchion mounted 0° orientation



Stanchion mounted 45° anti-clockwise orientation



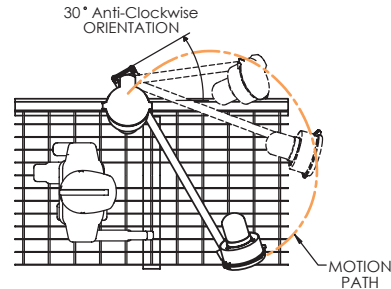
Structure mounted 90° anti-clockwise orientation



Column mounted 90° clockwise orientation

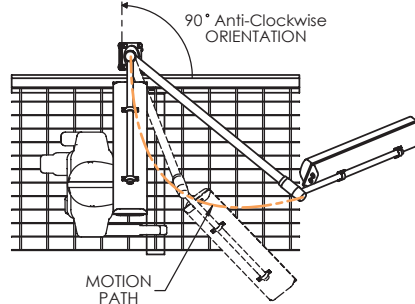
### 30° Safe Swivel™ joint orientation

Anti-clockwise orientation avoiding clash to the left side.



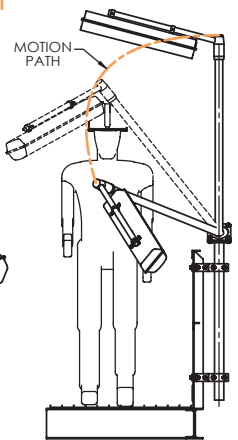
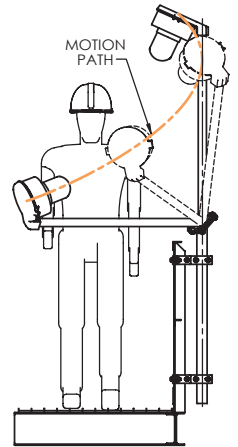
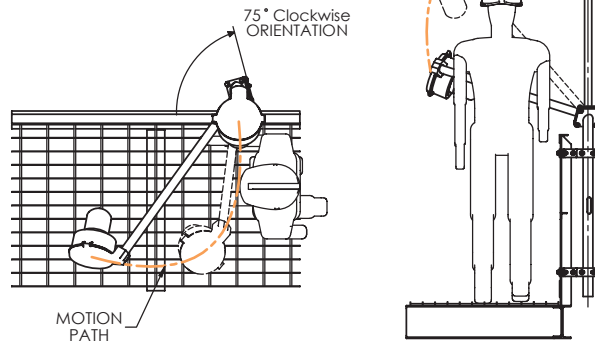
### 90° Safe Swivel™ joint orientation

Anti-clockwise orientation avoiding clash behind the guardrail and to the right side.



### 75° Safe Swivel™ joint orientation

Clockwise orientation avoiding clash behind the guardrail and to either side.



## Operation and safety information

These guides are to be followed in conjunction with your worksite procedures, safety rules and regulations.

### To lower Swivelpole™:

1. Ensure safety pin is inserted.
2. Loosen - **but do not remove** - bolts so the top section lowers with some resistance on the clamping plate. This allows safe and controlled lowering action.
3. Whilst holding the pole top with one hand, retract the safety pin and lower it to a comfortable working position.
4. Insert the safety pin.

### To raise Swivelpole™:

1. Retract the safety pin.
2. Push the pole top, guiding it as it swivels to the upright position.
3. Insert the safety pin.
4. Tighten the bolts evenly to a torque setting of between 30 lb/ft and 60 lb/ft.

33lbs (15kg) recommended maximum fixture weight for two-person operation.

### Tool and material requirements

#### Swivelpole™ assembly

- A torque wrench.
- Allen keys to suit: 3/16" set screws - use for light mounts. 3/8" or 1/2" set screws - use for Retrofit locking collars.
- Multi-purpose grease for Safe Swivel™ joint.

#### Maintenance and inspection

- Ensure the product operation label remains visible and legible.
- Visually check the Swivelpole™ for any signs of damage and report findings.

## Customer Service

Swivelpole™

Email: [sales@swivelpole.com](mailto:sales@swivelpole.com)

[swivelpole.com](http://swivelpole.com)

**Product warranty.** All equipment and goods are warranted by the seller to be free from defects in material and workmanship for five (5) years from the date of shipment. This warranty does not apply to equipment or goods which are misused, or abused, or damaged from installation, or not used in accordance with seller's instructions. Normal wear of equipment or goods is not included in this warranty. No responsibility will be taken for any modifications, alterations or additions to the standard product design. This includes exceeding recommended maximum weights for any fittings or exceeding the installed height.

**Patented.** Swivelpole™ products are manufactured under licence. Patents include US patent No. 6957832 and Australian patent No. 767949